

# ICON FIRES

## **Slimline Burner Manual**

[www.iconfires.com](http://www.iconfires.com)

REVEU

Aug17

# Operating Manual

Thank you for purchasing this Icon Fires product. Icon Fires places the highest priority on safety of its products. Every care has been taken in designing, manufacturing and assembling your Icon Fires Burner to ensure it operates effectively, efficiently and safely. Live-fire products must be treated with care. We ask that you exercise care when using this product and follow the instructions below. Before using your Icon Fires burner, please read all the information contained in this operation manual carefully. Icon Fires cannot be held responsible for any damage or injury caused if these instructions are not followed.

**Retain this manual for future reference.**

## IMPORTANT SAFEGUARDS

When using this fireplace, basic precautions should always be followed, including but not limited to the following. **Read all instructions and warnings before using this fireplace.**

### WARNING

- **DO NOT OVERFILL THE BURNER'S INTENDED CAPACITY.**
- **USE ONLY THE FUEL FOR WHICH THE SLIMLINE BURNER IS INTENDED.**
- **DO NOT TOUCH THE EXTERIOR OF THE SLIMLINE BURNER DURING OR AFTER BURNING.**
- **PARTS OF THIS SLIMLINE BURNER CAN REACH HIGH TEMPERATURES.**
- **DO NOT HAVE COMBUSTIBLE OBJECTS IN CLOSE PROXIMITY TO THE BURNER.**
- **NEVER POSITION THE BURNER WITHIN RANGE OF COMBUSTIBLE ITEMS THAT CAN BE MOVED/BUMPED BY ACCIDENT, OR BLOWN BY THE WIND. E.G. CURTAINS, BLANKETS, PAPERS ETC...**
- **ONLY USE THE SLIMLINE BURNER IN AREAS WITH GOOD VENTILATION.**
- **DO NOT COVER THE SLIMLINE BURNER VENT WITH ANY DECORATIVE ITEMS WHETHER THEY ARE COMBUSTIBLE OR NON COMBUSTIBLE , INCLUDING BUT NOT LIMITED TO ARTIFICIAL LOGS, STONES, PEBBLES, GLASS BEADS etc.**

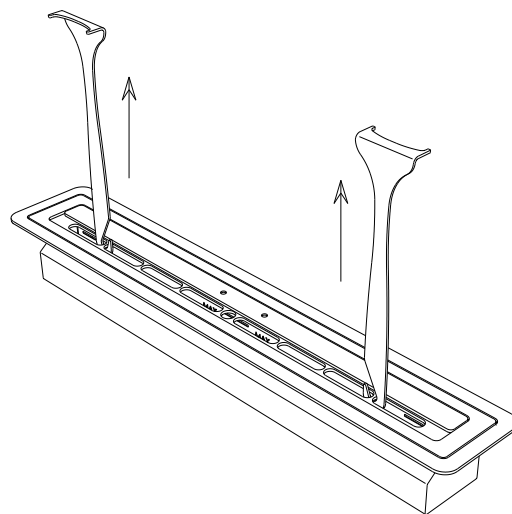
### CAUTION

- **Make sure you have read and understood this manual before using this product.**
- **Do not overfill or spill fuel when refilling.**
- **If fuel is spilled, wipe with a dry cloth and allow the rest to evaporate before introducing a flame to the burner.**
- **If the burner is accidentally overfilled, follow the steps given in these next pages.**
- **To refill, wait until the burner is at the room temperature after the flame has been turned off. NOTE: the flame may not be visible to the naked eye in daylight.**
- **Never refill over or near an open flame.**
- **Use the supplied funnel or pump to refill.**
- **Remove all plastic & packaging before using the burner.**

ICON  FIRES

## Trouble shooting and operating tips:

- The hooks on the back of the **Sliding Lid Handle** can be used to carry the *Slimline Burner* by hooking it around the slotted openings in the *Vent Plate* as shown in the image below.
- The **first fill** will take longer as the material inside the *Fuel Tank* will absorb the fuel. Subsequent filling should be quicker. Take care to not fill the burner at a faster rate than what the material inside can absorb the fuel.
- If the fire **does not extinguish** the first time by closing the *Sliding Lid* follow these steps and repeat if necessary.
  - Check that the surface below the sliding plate is clean and free from obstruction.
  - Apply strong downward force and in one quick motion move the sliding plate towards the closed position. If the flame is still visible repeat this step as a double motion still applying strong downward force in quick succession.
- **Never blow on the flame** whilst the *Sliding Lid* is in an open position.
- If your *Slimline Burner* **does not ignite** after it has been closed overnight you will need to refill the burner to a full level to enable the burner to be relit.
- **VERY IMPORTANT: Take special care when adding fuel to the Slimline Burner, always close the Sliding Lid for a few minutes before adding fuel to make sure there is no visible flame in the Burner Vent.**
- If after some time you find the *Sliding Lid* has **become 'sticky'** when attempting to move it then remove the *Sliding Lid* from its housing and rub the underside using the green side of a Scotch Bright scouring pad. Take care to only scrub in the direction of the brushing lines of the stainless steel.
- Make sure you keep your burner clean especially the surface that the *Sliding Lid* slides on and ensure that any excess fuel on the surface of the burner is wiped off before use.



ICON  FIRES

### CONTENT OF PACKAGING:

- Burner Body - qty 1
- Slider - qty 1 (2 of for 1400 Burner)
- Sliding Lid Handle - qty 2 (1 of 500 Burner)
- Battery operated Fuel Pump - qty 1

### MAKE SURE THE FIREPLACE HAS COOLED OFF COMPLETELY BEFORE CLEANING:

To clean dust, wipe with a dry cloth or sponge.

To clean stainless steel parts, use bio-ethanol or stainless steel cleaning products.

Make sure the Sliding Lid for the Slimline Burner slides correctly and fully after cleaning and that any excess cleaning product has been wiped off completely.

### KEEP HANDY A CLASS B FIRE EXTINGUISHER:

Class B fire extinguishers are used to put out fires that are caused by combustible liquids. Class B fire extinguishers quell the flames by expelling a dry chemical powder or foam with a nitrogen propellant. The specific chemical can vary depending on the make or model. Water will not extinguish this flame.

### PROCEDURE IF BURNER IS OVERFILLED:

In case of accidental overfilling of the fuel tank, follow these steps:

- NEVER light the Slimline burner if it is filled past the **filling line by more than 15mm**, shown in the section of **Filling the Slimline Burner**.
- Remove the Slimline Burner from its housing, using the hooks on the back end of the *Sliding Lid Handle* or rubber gloves.
- Empty the excess fuel into a container, suitable to hold the volume of the burner.
- Wipe off all excess fuel that may have dripped on the outside of the Slimline Burner during emptying and allow any residual fuel to evaporate. Leave for 1 hour.
- Place the Slimline Burner back into its housing.
- Ignite the Slimline Burner only once all residual fuel outside the burner has completely evaporated and the container used to fill the burner has been sealed and moved to a safe distance from the burner.

### USE CORRECT FUEL - COMMERCIAL NAMES:

**Australia, India, New Zealand, South Africa, Germany, United Kingdom, USA & Canada, France:** Bio-Ethanol - Denatured Alcohol, **Holland:** Spiritus - Brand Spritus, **Italy:** Alcool Denaturato - Spirito de Brucaire, **Japan:** Nen-ryo yoh, **Scandinavia:** T-Sprit - Rod Sprit - Denaturoitu Sprii - Sinol - Marinol, **Spain:** Alcohol Metalico - Alcohol de Quemar, **Switzerland:** Brennsprit, **Turkey:** Ispirto.



ICON  FIRES

## Slimline Burner Range

The following information is provided to assist in understanding how each model within our collection can be incorporated into your desired settings. It is intended as a guide only and it is important that you read the detailed *Model Specification* of the model you are interested in before ordering, specifying, installing or operating the fire.

Model No.	Dimensions in mm (L x W x H)	Approx. Fuel Capacity	Material	Heats On Average	Minimum Room Area	Thermal Output Net	Burning Time On *Average	Consumption *Average
SB500C	500x100x100	2.75 ℓ	Brushed 304 SS	up to 90 m <sup>3</sup>	40 m <sup>3</sup>	2.5 kW/hr	6-9 hrs	0.30 ℓ/hr
SB800C	800x100x100	4.50 ℓ	Brushed 304 SS	up to 165 m <sup>3</sup>	70 m <sup>3</sup>	4.35 kW/hr	5.5-8.5 hrs	0.60 ℓ/hr
SB1100C	1100x125x100	6.25 ℓ	Brushed 304 SS	up to 210 m <sup>3</sup>	90 m <sup>3</sup>	7.25 kW/hr	6.5-9 hrs	0.90 ℓ/hr
SB1400C	1400x125x100	8.15 ℓ	Brushed 304 SS	up to 270 m <sup>3</sup>	110 m <sup>3</sup>	9.5 kW/hr	7-9.5 hrs	0.90 ℓ/hr

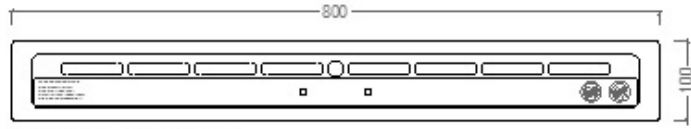
\*Average consumption and burn time are based on mixed settings of maximum and moderate output. These burn times and consumption rates may vary depending on room characteristics.

### Accompanying Accessories

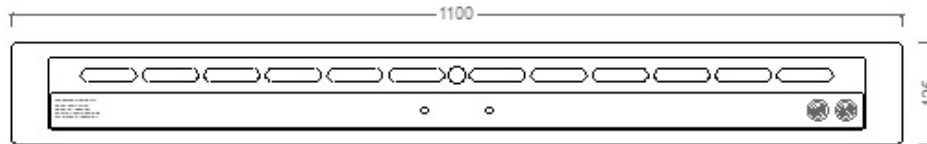
Model No.	Burner & Lid	Fuel Pump	Handles	Instruction Manual
SB500C	yes	yes	yes	yes
SB800C	yes	yes	yes	yes
SB1100C	yes	yes	yes	yes
SB1400C	yes	yes	yes	yes



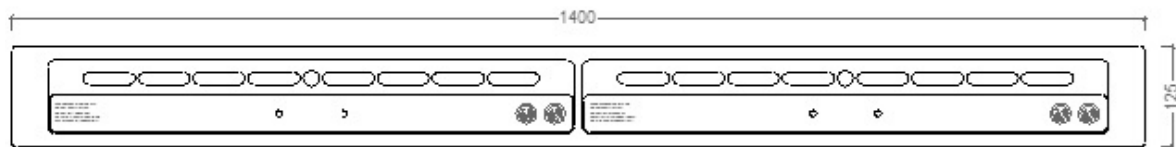
Top View - 500 Slimline



Top View - 800 Slimline



Top View - 1100 Slimline



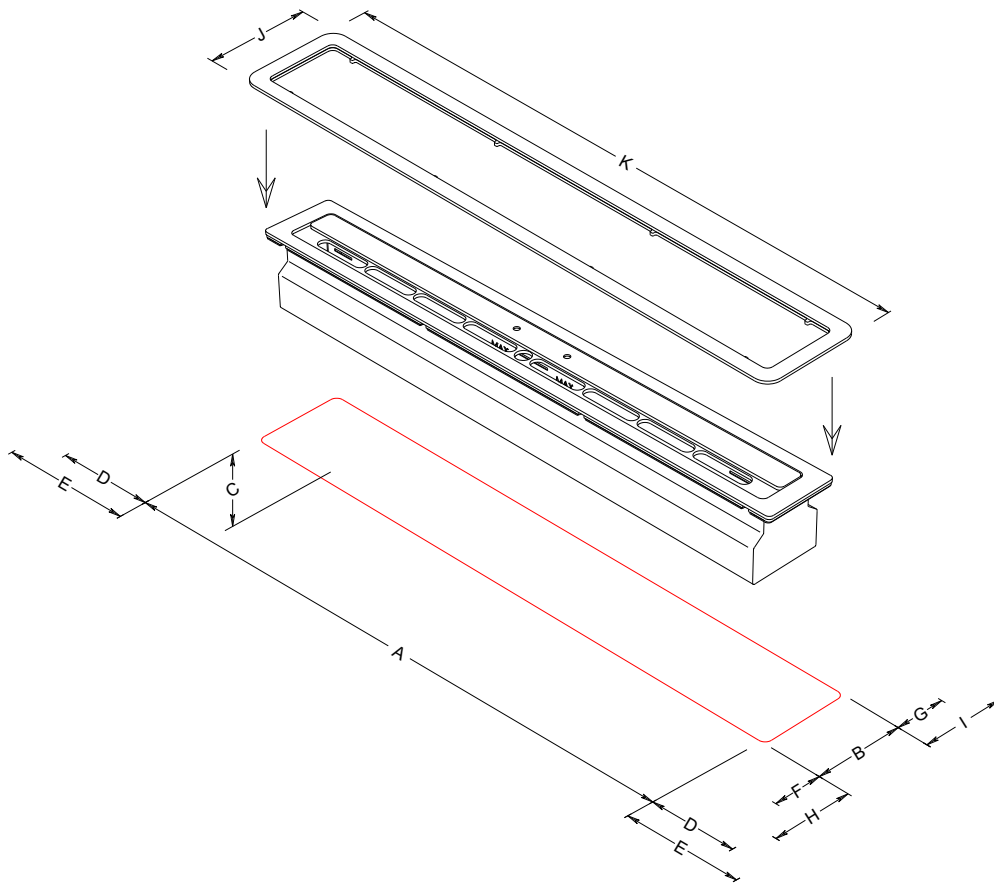
Top View - 1400 Slimline

**NOTE:** There are many different variations available for installing the Burner Range. In all cases, the Slimline Burner must:

- Installed into non-combustible material ONLY;
- All gas connections or pipelines near your new Burner installation must be disconnected and made safe by an appropriately qualified professional prior to installation;
- Installed into a fixed, level and secure position before filling, lighting and operating;
- Installed in a position that limits relocation requirements to eliminate the risk of accidents caused by fuel spillage. These burners are not designed to be relocated frequently;
- Installed into a level platform;
- Not installed directly beside or near wallpaper, laminate, veneer or any surface that has not been fire rated and considered combustible.
- A minimum of 1000mm radius to any combustible material.
- Not be within the reach of any objects that are not fixed in position and can be moved by the wind or bumped over easily i.e. curtains, blankets, newspapers etc.

ICON  FIRES

## Installation - Standard Mount Plate



### Standard Mount Plate - Sizes

Model No.	Cut out Length - A	Cut out Width - B	Cut out Depth - C	Mount Plate Length - K	Mount Plate Width - J
SB500C	530 mm	130 mm	110 mm	545 mm	145 mm
SB800C	830 mm	130 mm	110 mm	845 mm	145 mm
SB1100C	1130 mm	155 mm	110 mm	1145 mm	170 mm
SB1400C	1430 mm	155 mm	110 mm	1445 mm	170 mm

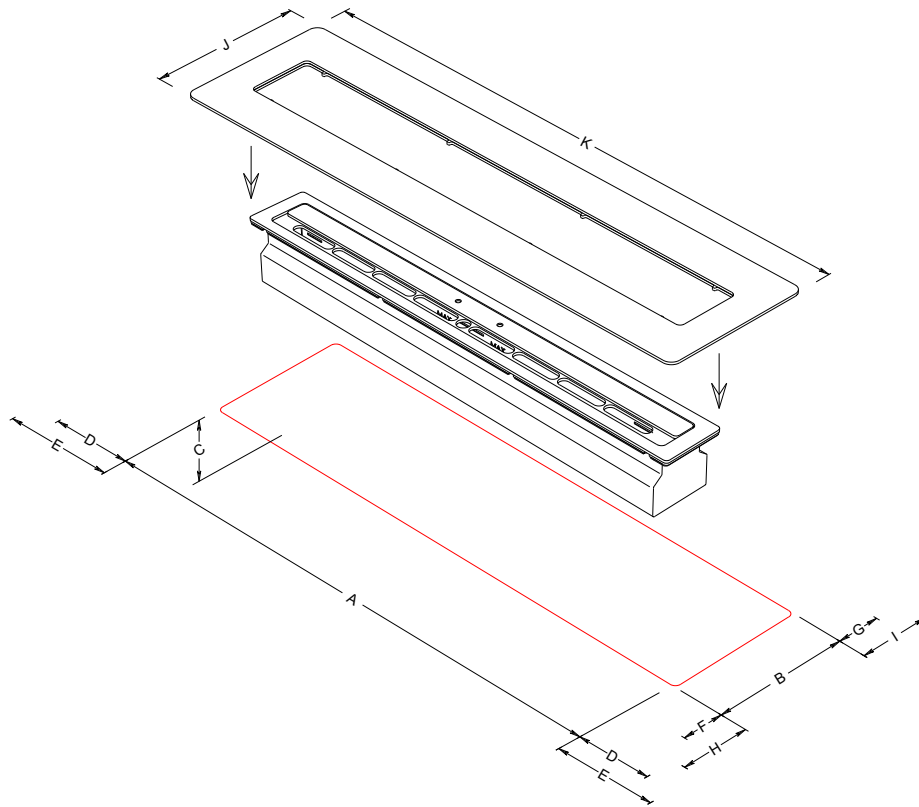
### Standard Mount Plate - Clearances

Model No.	Distance to Non-Combustible Items - D	(Front) Distance to Non-Combustible Items - F	(Back) Distance to Non-Combustible Items - G	Height Above Cut out to Non-Combustible Items	Distance to Combustible Items - E	(Front) Distance to Combustible Items - H	(Back) Distance to Combustible Items - I	Height Above Cut out to Combustible Items
SB500C	50 mm	50 mm	50 mm	500 mm	500 mm	500 mm	500 mm	1550 mm
SB800C	50 mm	50 mm	50 mm	500 mm	500 mm	500 mm	500 mm	1550 mm
SB1100C	50 mm	50 mm	50 mm	500 mm	500 mm	500 mm	500 mm	1550 mm
SB1400C	50 mm	50 mm	50 mm	500 mm	500 mm	500 mm	500 mm	1550 mm

**NOTE:** all clearances given are from the cut out in the surface where the burner will be placed.

**ICON FIRES**

## Installation - Adapter Mount Plate



### Adapter Mount Plate - Sizes

Model No.	Cut out Length - A	Cut out Width - B	Cut out Depth - C	Mount Plate Length - K	Mount Plate Width - J
SB500C	598 mm	233 mm	110 mm	610 mm	245 mm
SB800C	898 mm	233 mm	110 mm	910 mm	245 mm
SB1100C	n/a	n/a	n/a	n/a	n/a
SB1400C	n/a	n/a	n/a	n/a	n/a

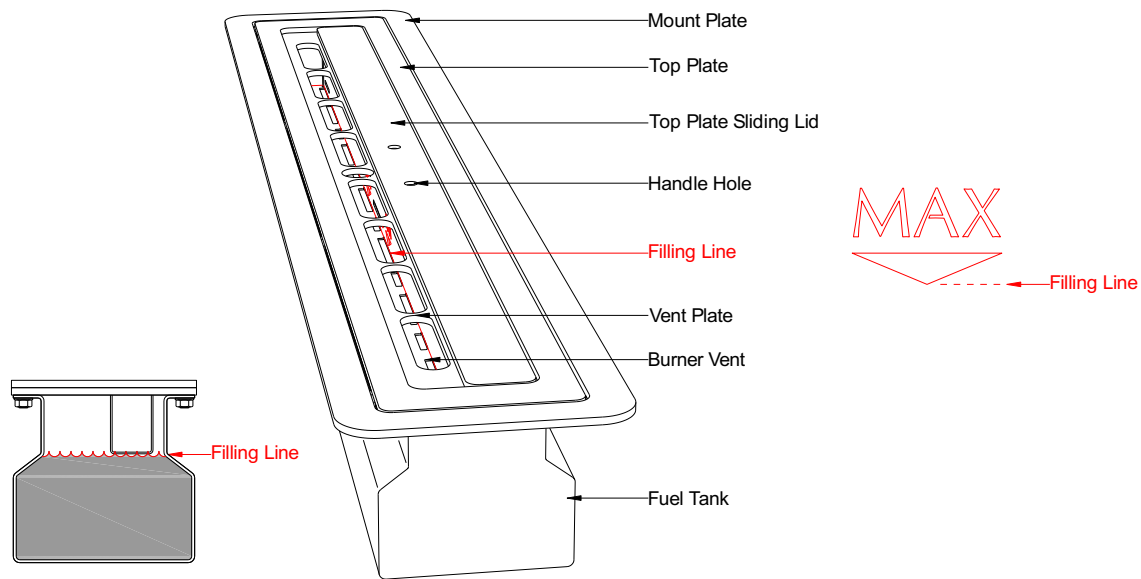
### Adapter Mount Plate - Clearances

Model No.	Distance to Non-Combustible Items - D	(Front) Distance to Non-Combustible Items - F	(Back) Distance to Non-Combustible Items - G	Height Above Cut out to Non-Combustible Items	Distance to Combustible Items - E	(Front) Distance to Combustible Items - H	(Back) Distance to Combustible Items - I	Height Above Cut out to Combustible Items
SB500C	50 mm	50 mm	50 mm	500 mm	500 mm	500 mm	500 mm	1550 mm
SB800C	50 mm	50 mm	50 mm	500 mm	500 mm	500 mm	500 mm	1550 mm
SB1100C	50 mm	50 mm	50 mm	500mm	500 mm	500 mm	500 mm	1550 mm
SB1400C	50 mm	50 mm	50 mm	500 mm	500 mm	500 mm	500 mm	1550 mm

**NOTE:** all clearances given are from the cut out in the surface where the burner will be placed.



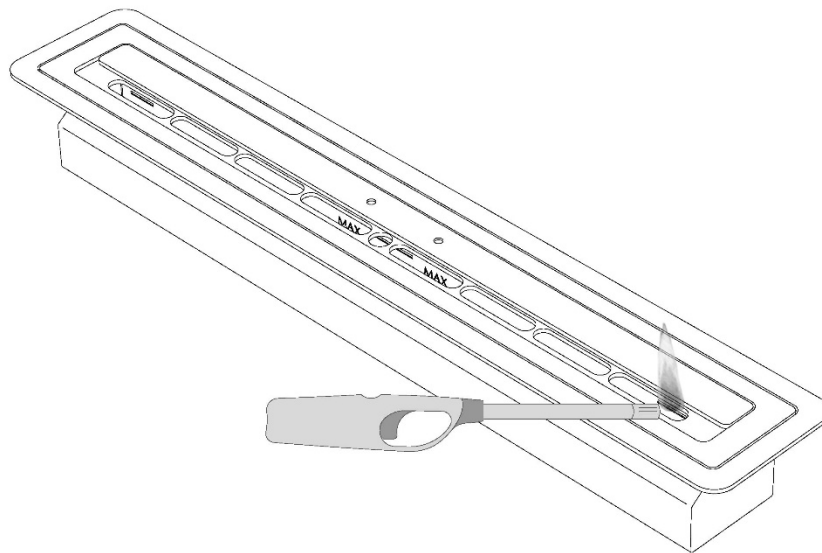
## 1 - Filling the Slimline Burner



Fill the Slimline Burner *Fuel Tank* to the *Fill Line* until the fuel becomes visible at the bottom of the *Burner Vent*. Fill using the *Fuel Pump* supplied or a funnel that fits in the centre hole of the *Vent Plate*. **DO NOT OVERFILL**

Please wipe any spillage or excess fuel before proceeding to Step 2.

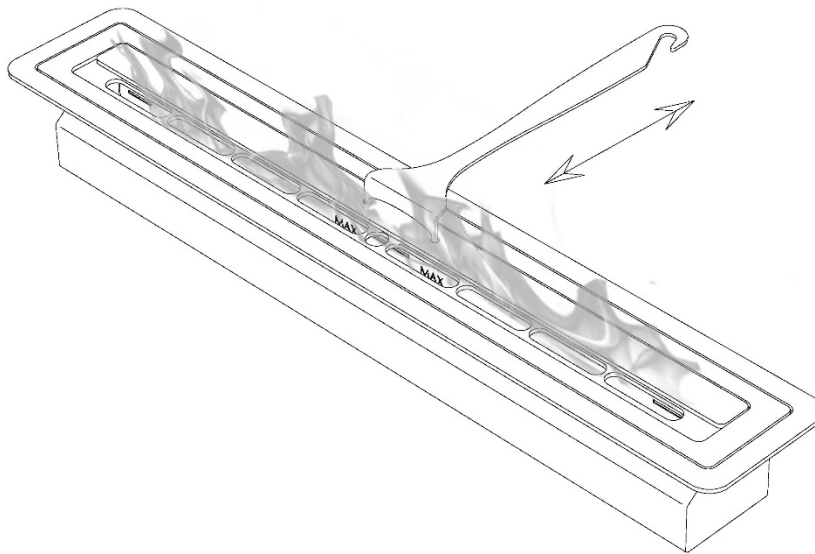
## 2 - Igniting the Slimline Burner



Seal the fuel canister used to fill the Burner and move to a safe distance away from the Burner. While standing at arm's length away from the Burner, use a long arm lighter as per the image above to introduce a flame to the openings in the *Vent Plate*.

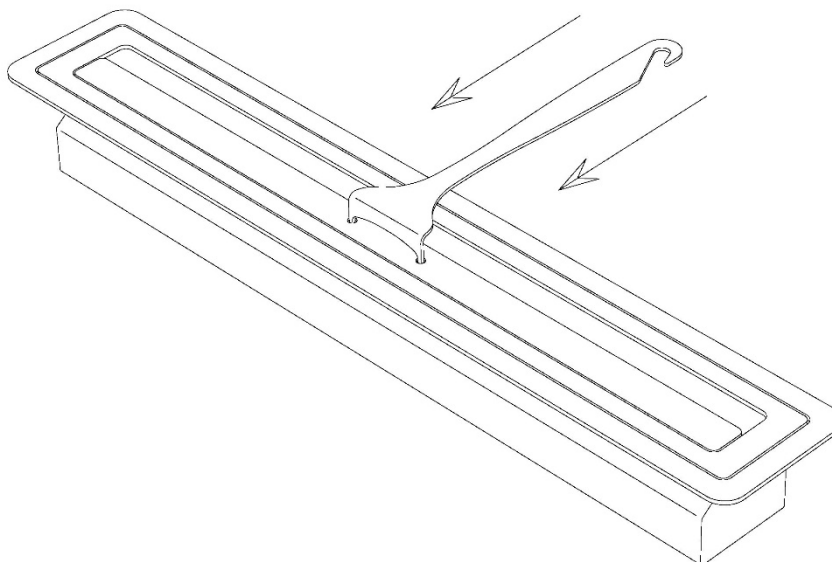
ICON  FIRES

### 3 - Adjusting the Flame Size



The flame intensity is adjusted by inserting the *Sliding Lid Handle*'s tip into the corresponding holes in the *Top Plate Sliding Lid* as indicated above. Note the flame intensity takes a few minutes to change after an adjustment has been made.

### 4 - Extinguishing the Flame



Using the *Sliding Lid Handle*, pull the *Sliding Lid* to the front / closed position. Should the flame not extinguish with the first try please repeat until extinguished. It should be a swift action coupled with downward pressure.

## **Icon Fires warranty Terms and Conditions:**

- 1.** All warranty claims are subject to manufacturer's review and acceptance.
- 2.** Icon Fires warrants that it uses reasonable care and skill to ensure that its products are of reasonable quality. Icon Fires will at its cost and in its sole discretion: (i) remedy any defect or fault in any product purchased; or (ii) replace any product in respect of which there is a defect or fault, during the warranty period, provided that written notice is given by the Purchaser to Icon Fires of any such defect or fault in the product as soon as the Purchaser becomes aware of that fault or defect. All warranty claims must be returned to Icon Fires for assessment with a receipt or other proof of payment. No warranty is given in respect of any glass contained in any product.
- 3.** Icon Fires has no liability to remedy any defect in a product or replace a product where the defect or fault is caused or contributed to by (i) the failure of the Purchaser to install the product according to specific installation instructions either supplied within each product box or carton or available on the Icon Fires website or through the retailer representative; or (ii) use of the product in a manner or for a purpose for which it was not designed.
- 4.** All site application or installation must reflect these procedures otherwise the product warranty will be considered void or will not take effect.

**All products bearing the logo of Icon Fires logo is covered by a 2 year warranty.**

### **IMPORTANT:**

- Stone chipping, painting scratches and general scratches are not covered by the Warranty.**
- Due to the characteristics of Stainless Steel, over time the finish will mature through natural processes associated with the use with heat and a flame.**
- Is it recommended the Stainless Steel Components be polished annually with a non abrasive polish to bring & restore the finish and also to regularly clean the products from residue and dirt.**



**QC Checklist**

**Components**

- Handles 2 of (500 Burner only 1 of).....
- Slider 1 of (1400 burner 2 of).....
- Manual 1 of.....
- Pump 1 of.....
- Burner body 1 of.....

**Checked by.....**

