

ICON FIRESTM

Firebox Installation Manual

Operating Manual

Thank you for purchasing this *Icon Fires product*. *Icon Fires* is very safety conscious, we have taken every care in designing, manufacturing and assembling your product to ensure it operates effectively, efficiently and safely. In return we ask that you exercise care when using and installing this product and follow the instructions provided. Please make sure that you have read and understand the *Manual* that you received with the *Slimline/Commercial Burner* itself before attempting to install any Firebox or any accessory. Before using your *Firebox*, please read all the information contained in this operation manual carefully. It's the user's responsibility to ensure he/she is informed of the safety aspects and operational procedures contained within these pages. When using this fireplace, basic precautions should always be followed, including but not limited to the following.

WARNING

- DO NOT OVERFILL THE BURNER'S INTENDED CAPACITY.
- USE ONLY THE FUEL FOR WHICH THE BURNER IS INTENDED.
- DO NOT TOUCH THE EXTERIOR OF THE BURNER DURING OR AFTER BURNING.
- PARTS OF THIS FIREBOX CAN REACH HIGH TEMPERATURES.
- DO NOT HAVE COMBUSTIBLE OBJECTS IN CLOSE PROXIMITY TO THE FIREBOX.
- NEVER POSITION THE BURNER WITHIN RANGE OF COMBUSTIBLE ITEMS THAT CAN BE MOVED/BUMPED BY ACCIDENT, OR BLOWN BY THE WIND. E.G. CURTAINS, BLANKETS, PAPERS ETC...
- THE FIREBOX BODY MUST BE INSULATED WITH A LAYER OF THERMAL CERAMIC WOOL OR SIMILAR THAT CAN WITHSTAND TEMPERATURES ABOVE 1000 DEGREES CELCIUS.
- THE INSULATION MUST COVER THE ENTIRE FIREBOX BODY AND BE FIXED SECURELY SO THAT NO COMBUSTIBLE MATERIAL INSIDE THE WALL CAVITY CAN TOUCH THE FIREBOX.
- DO NOT INSTALL INTO AN AREA WHERE THERE IS A DRAFT WHICH CAN AFFECT THE FLAME. ESPECIALLY WHEN INSTALLING IN OLD HEARTH, MAKE SURE HEARTH IS SEALED.
- DO NOT COVER THE SLIMLINE BURNER VENT WITH ANY DECORATIVE ITEMS WHETHER THEY ARE COMBUSTIBLE OR NON COMBUSTIBLE , INCLUDING BUT NOT LIMITED TO ARTIFICIAL LOGS, STONES, PEBBLES, GLASS BEADS, ETC...

CAUTION

- Make sure you have read and understand this manual before using this product.
- Never overfill or spill fuel when refilling. If Fuel is spilt onto the black painted surface of the Firebox **WIPE IT IMMEDIATELY AND LEAVE TO DRY BEFORE LIGHTING THE BURNER.**
- If fuel is spilled on the stainless steel burner during filling, wipe with a dry cloth and allow the rest to evaporate before lighting the burner.
- If the burner is accidentally overfilled, follow the steps in the burner manual to rectify.
- To refill, wait until the burner is at the room temperature after the flame has been turned off. NOTE the flame can linger in the chamber for a while after the Sliding Lid has been closed. NOTE: the flame may not be visible to the naked eye.
- Never refill over or near an open flame and use the supplied funnel or pump to refill.
- Remove all plastic & packaging before using the burner.

ALWAYS KEEP HANDY A CLASS B FIRE EXTINGUISHER:

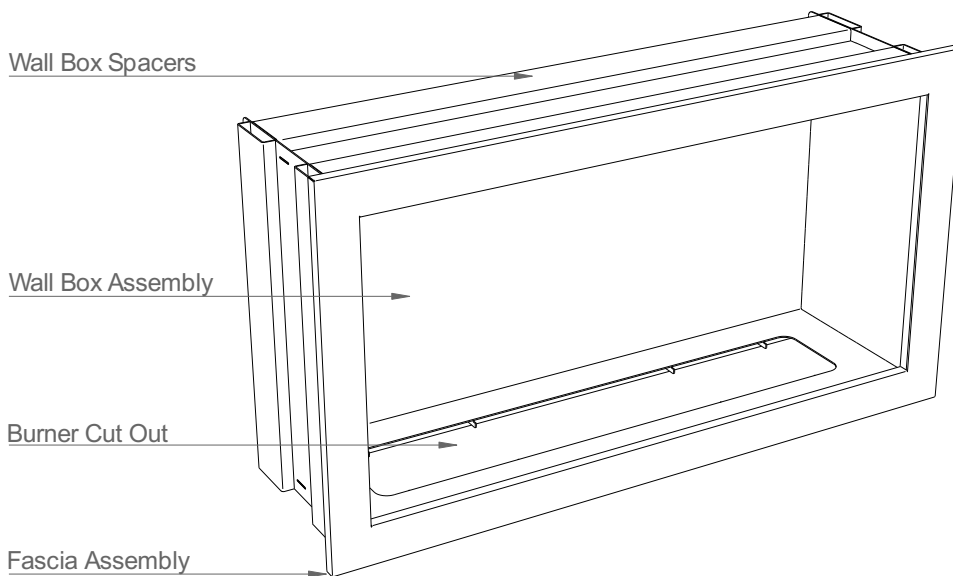
Class B fire extinguishers are used to put out fires that are caused by combustible liquids. Class B fire extinguishers quell the flames by expelling a dry chemical powder or foam with nitrogen propellant. The specific chemical can vary depending on the make or model. Water may not extinguish this flame.

CONTENT OF PACKAGING:

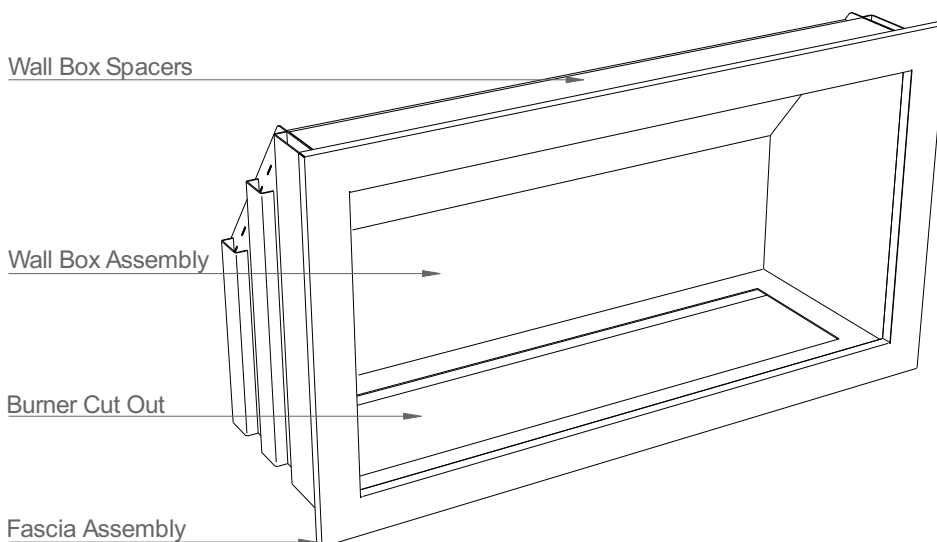
- Wall Box - qty 1
- Fascia Assembly - qty 1 (Packaged separately)

NOTE: the *Firebox* has been designed to be built into many different materials and environments, and due to this fact we cannot provide instructions for each and every possible situation. We advise that you use only certified builders or installation specialists who will exercise the necessary precaution needed. Please refer to the Technical Specification Sheets for more detailed dimensions for each size in the *Firebox Range*.

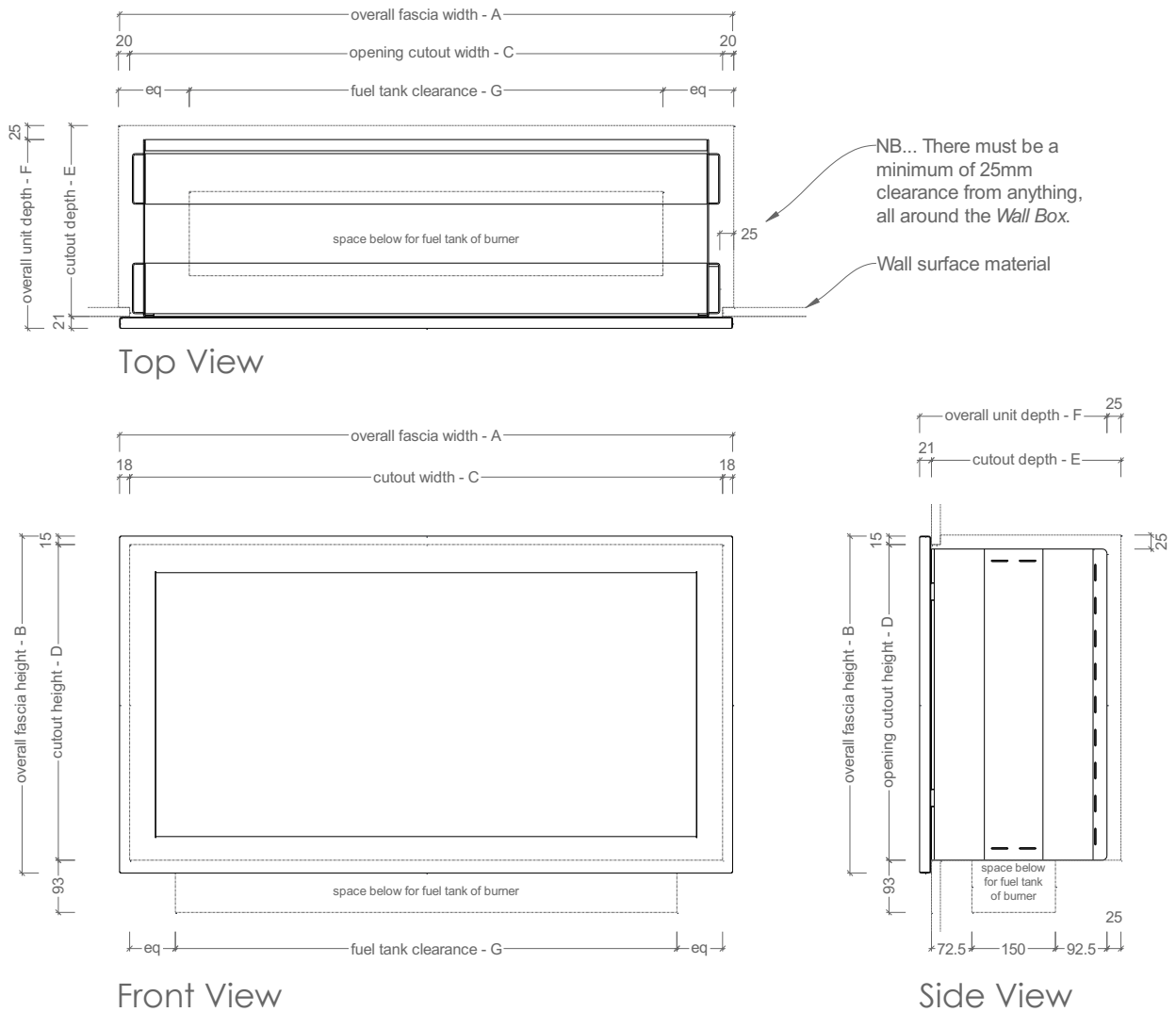
Slimline Fireboxes:



Signature Fireboxes:



1 - Product Specifications for *Slimline Fireboxes*



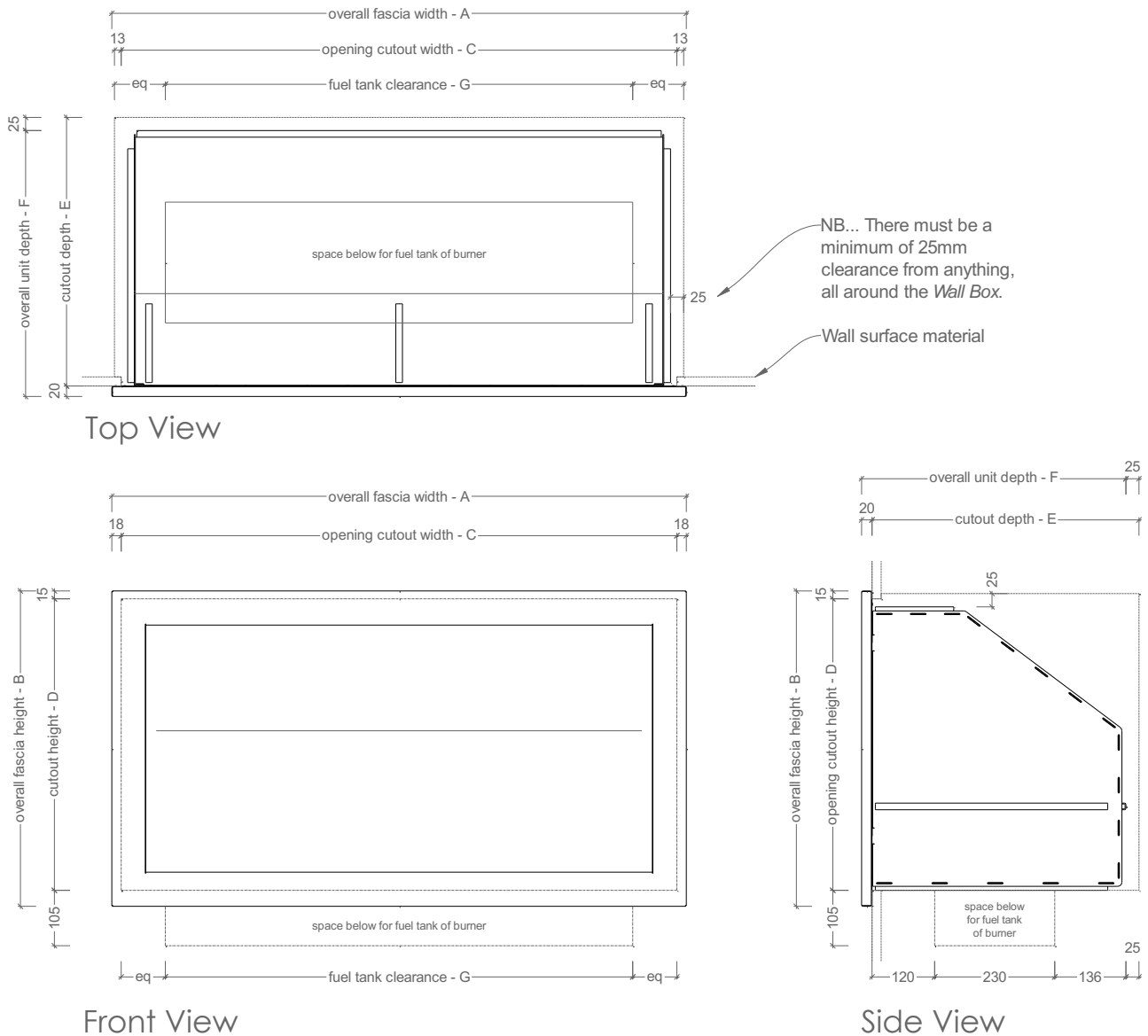
Overall Product Sizes:

Size Burner	A = Fascia Width	B = Fascia Height	C = Cutout *Opening Width	D = Cutout *Opening Height	E = Cutout Depth	F = Overall Unit Depth	G = Fuel Tank Clearance
800mm	1100mm	600mm	1064mm	562mm	340mm	336mm	900mm
1100mm	1350mm	600mm	1314mm	562mm	340mm	336mm	1150mm
1400mm	1650mm	600mm	1614mm	562mm	340mm	336mm	1450mm

*** Note that this is the opening size of the cut out in the wall surface onto which the fireplace fascia is ultimately placed against. All other construction materials that are positioned behind the face of the wall must have a 25mm clearance to the surface of insulation wrapped around the exterior firebox body.**

- Materials - Mild Steel (*Stainless Steel Fascia also available*)
- Applications - Indoor Only
- Compatible Burners - Slimline Burner

2 - Product Specifications for Commercial Fireboxes



Overall Product Sizes:

Size Burners	A = Fascia Width	B = Fascia Height	C = Cutout *Opening Width	D = Cutout *Opening Height	E = Cutout Depth	F = Overall Depth	G = Fuel Tank Clearance
IFMB614	900mm	600mm	864mm	555mm	511mm	506mm	595mm
IFLB914	1100mm	600mm	1064mm	555mm	511mm	506mm	895mm

*** Note that this is the opening size of the cut out in the wall surface onto which the fireplace fascia is ultimately placed against. All other construction materials that are positioned behind the face of the wall must have a 25mm clearance to the surface of insulation wrapped around the exterior firebox body.**

- Materials - Mild Steel (*Stainless Steel Facia also available*)
- Applications - Indoor Only
- Compatible Burners - Signature Burner, Commercial Burner

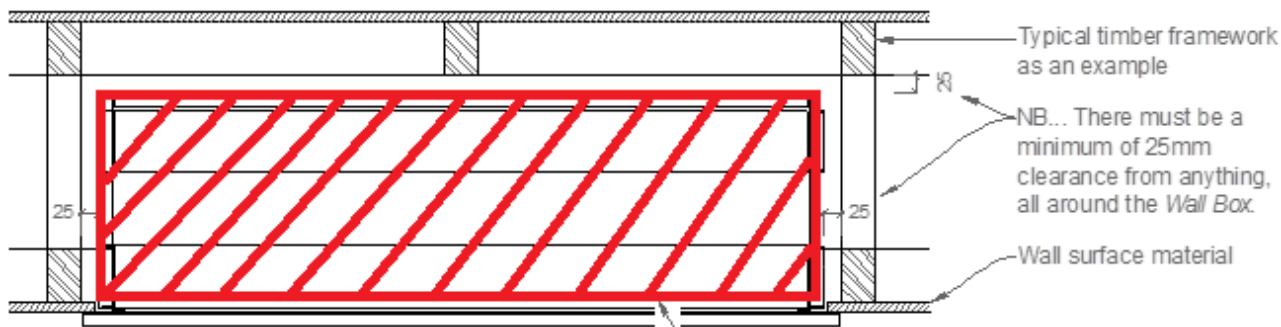
CLEANING & MAINTENANCE FOR SIGNATURE & SLIMLINE FIREBOXES:

The internal areas of the Firebox can change in appearance with time and usage. This is to be considered normal wear and tear and does not constitute a product flaw or fault. We recommend cleaning the internal surfaces with a moist lint-free cloth.

3 - Location, Positioning & Precautions

READ CAREFULLY

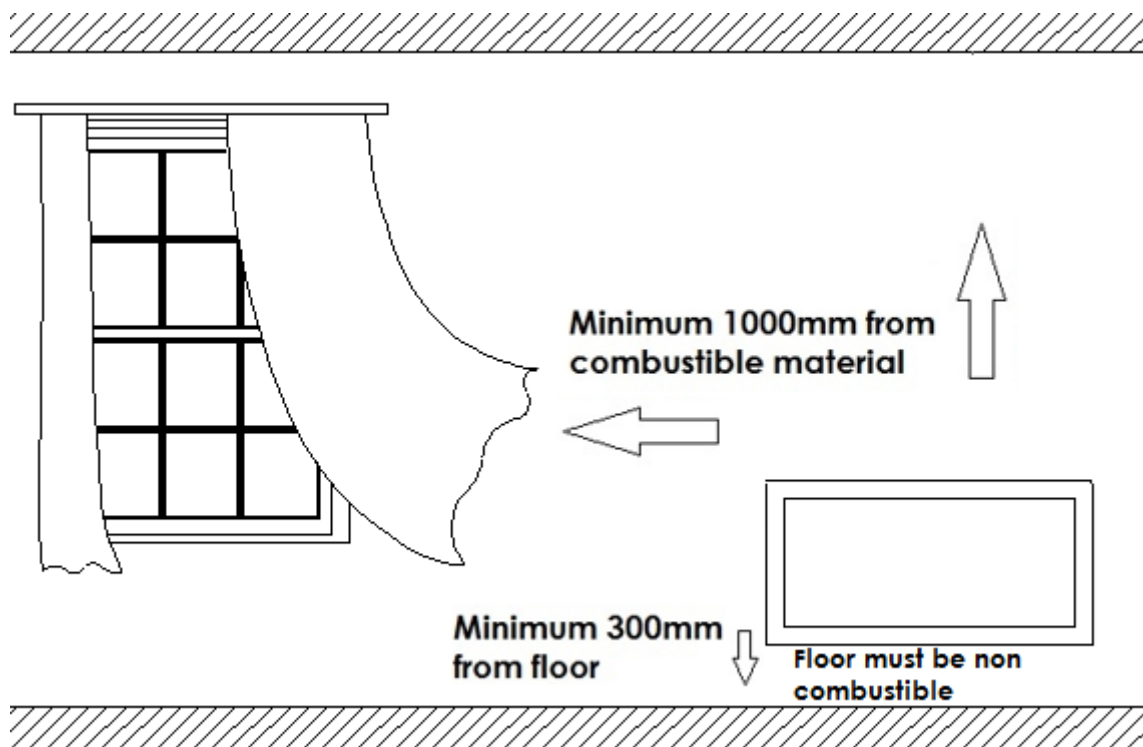
- **The firebox body that is inside the wall cavity must be insulated with a layer of insulation material such as rock wool or ceramic blanket that can handle continuous exposure of 1000 degree Celsius. The entire firebox body must be isolated from any combustible material inside the wall cavity. The insulation must be securely fixed onto the body of the firebox.**
- **Make sure that the *Firebox* is installed no closer than 1m (40 inch) from any combustible items such as furniture, curtains, etc. See image on the next page in this section. This excludes the actual structure in which the *Firebox* is placed if the firebox is thermally insulated. The floor below the firebox inside the wall cavity must be insulated and cannot be made from combustible material. Wooden floors, plastic based flooring, carpets etc are not allowed.**
- Take care when placing valuable items such as artwork, electronic devices, etc. above the *Firebox* as the hot air that rises from the flame may damage such items.
- Always make sure the room in which the *Firebox* is situated in is well ventilated when the *Firebox* is in use.
- Position the *Firebox* where it will not be affected by any breeze or draft, as this may affect the behaviour of the flame in an unpredictable manner.
- Never cover the fascia opening of the *Firebox* at any time.
- It is advisable to consider children and pets when selecting a position to install the *Firebox*. Ensure that the fire is never left unattended.



Sectional Top View

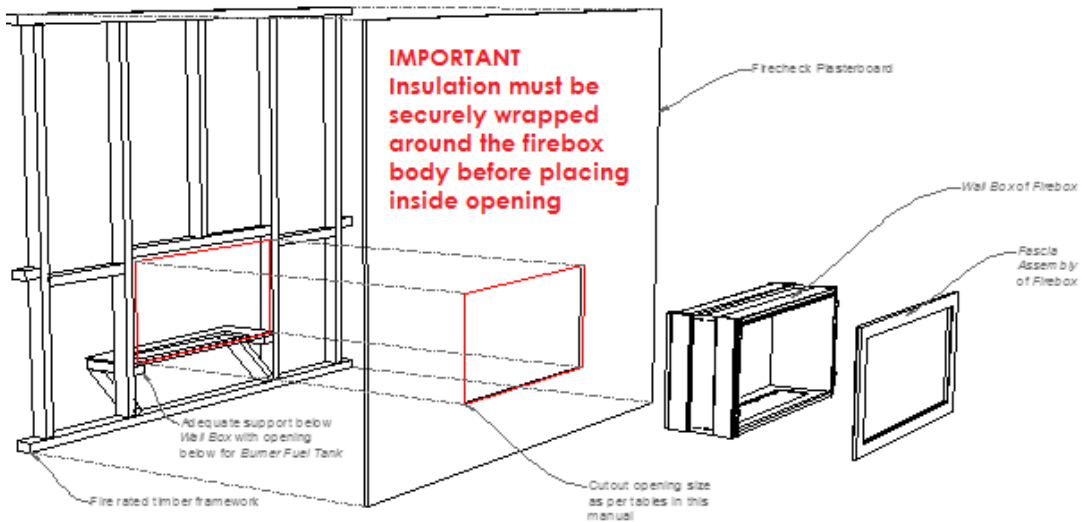
Diagonal lines illustrate thermal insulation. The entire body of the firebox must be covered with the insulation

Note: The drawing on pg. 8 is an example of a typical installation using a timber framework and covering the firebox body with insulation. All installations must comply with the relevant building regulations and restrictions of the country where the installation is to take place!



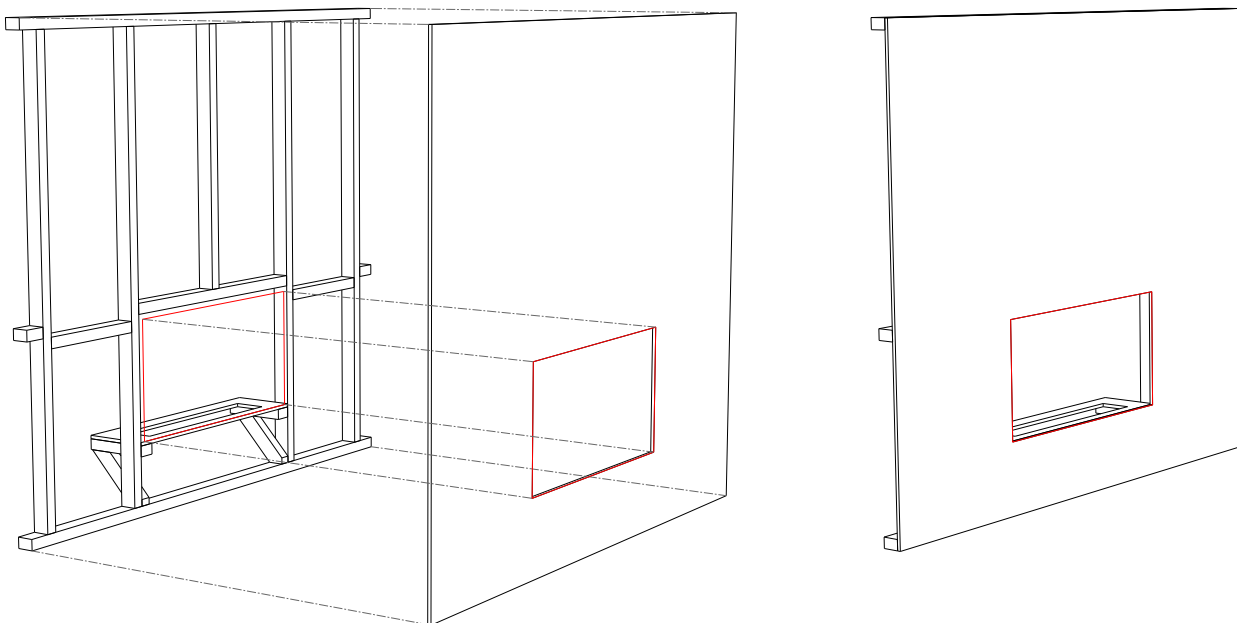
4 - Installation Procedure

Always use a certified builder or installation specialist when installing your *Firebox*. Use only fire rated materials which adhere to the relevant laws and building regulations in the country where the installation is to occur and make sure that spacing tolerances are adhered to at all times and that the correct insulation materials has been used. Below is an example of a typical installation.



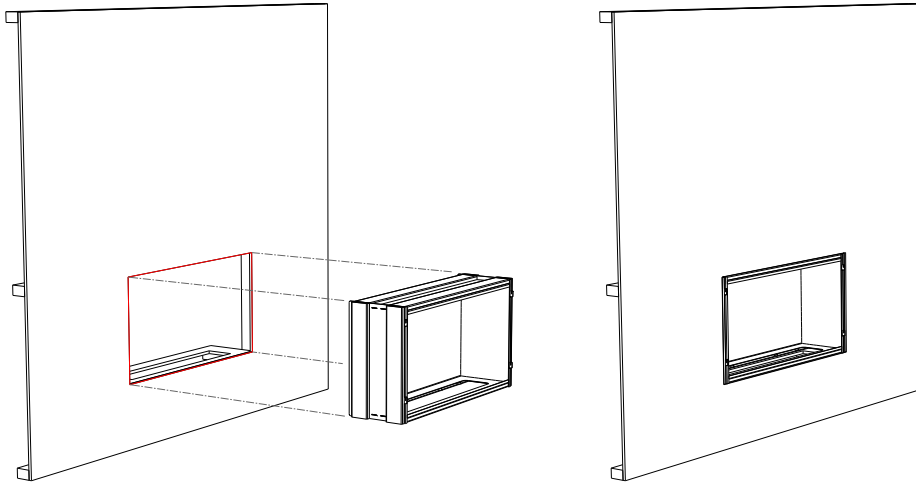
Step 1:

Create your *Firebox* display structure from fire rated building materials with enough support below for the *Firebox* to rest on.



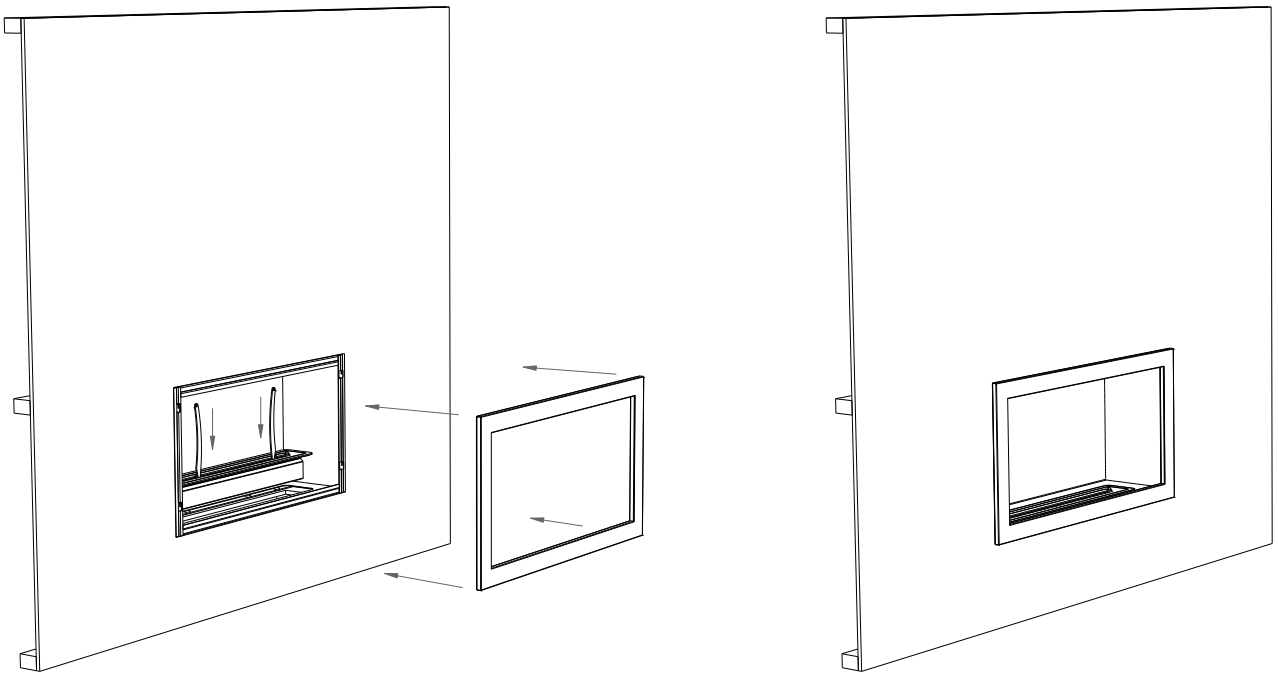
Step 2:

Insert the Wall Box into the opening. Ensure the *Firebox* is level both horizontally and vertically before placing the *Burner* inside the Firebox base cut out. Remember to leave adequate space for the burner to drop down into the void below the Firebox. Wrap the firebox with the thermal insulation material before inserting into the wall cavity. Ensure the insulation is securely fastened and that no combustible material can touch the insulation or firebox body.



Step 3:

Place the *Burner* into cut out and attach fascia to the hooks on the front of the Firebox. Your Firebox is now ready for use. Please consult the Burner manual supplied with your burner for the safety precautions and operating procedure of the burner.



Icon Fires warranty Terms and Conditions:

- 1.** All warranty claims are subject to manufacturer's review and acceptance.
- 2.** Icon Fires warrants that it uses reasonable care and skill to ensure that its products are of reasonable quality. Icon Fires will at its cost and in its sole discretion: (i) remedy any defect or fault in any product purchased; or (ii) replace any product in respect of which there is a defect or fault, during the warranty period, provided that written notice is given by the Purchaser to Icon Fires of any such defect or fault in the product as soon as the Purchaser becomes aware of that fault or defect. All warranty claims must be returned to Icon Fires for assessment with a receipt or other proof of payment. No warranty is given in respect of any glass contained in any product.
- 3.** Icon Fires has no liability to remedy any defect in a product or replace a product where the defect or fault is caused or contributed to by (i) the failure of the Purchaser to install the product according to specific installation instructions either supplied within each product box or carton or available on the Icon Fires website or through the retailer representative; or (ii) use of the product in a manner or for a purpose for which it was not designed.
- 4.** All site application or installation must reflect these procedures otherwise the product warranty will be considered void or will not take effect.

All products bearing the logo of Icon Fires logo is covered by a 2 year warranty.

IMPORTANT:

- **Stone chipping, painting scratches and general scratches are not covered by the Warranty.**
- **Due to the characteristics of Stainless Steel, over time the finish will mature through natural processes associated with the use with heat and a flame.**
- **Is it recommended the Stainless Steel Components be polished annually with a non abrasive polish to bring & restore the finish and also to regularly clean the products from residue and dirt.**

www.iconfires.com

TM

ICON  FIRES