
USER MANUAL



• COCOON AERIS •

Hanging Model

IMPORTANT SAFEGUARDS

When using a fireplace, basic precautions should always be followed, including the following:

Read all instructions before using this fireplace.

WARNING

- DO NOT OVERFUEL BURNER'S INTENDED CAPACITY.
- USE ONLY THE FUEL FOR WHICH THE APPARATUS IS INTENDED.
- DO NOT TOUCH EXTERIOR OF CHIMINEA DURING AND AFTER BURNING.
- PARTS OF THIS CHIMINEA CAN REACH HIGH TEMPERATURES.
- DO NOT HAVE COMBUSTIBLE OBJECTS IN THE VICINITY OF THE CHIMINEA.
- USE THE CHIMINEA IN AREAS WITH GOOD VENTILATION.
- DO NOT COVER.
- THIS APPLIANCE HAS NOT BEEN TESTED WITH AN UNVENTED GAS LOG SET. TO REDUCE RISK OF FIRE OR INJURY, DO NOT INSTALL AN UNVENTED GAS LOG SET INTO THIS APPLIANCE.

KEEP HANDY A CLASS B FIRE EXTINGUISHER:

Class B fire extinguishers are used to put out fires that are fueled by combustible liquids. Class B extinguishers quell the flames by expelling a dry chemical powder or foam with a nitrogen propellant. The specific chemical can vary depending on the maker or model.

USE CORRECT FUEL - COMMERCIAL NAMES:

Australia, India, New Zealand, South Africa: Methylated Spirits, **France:** Bio-Ethanol, **Germany:** Spiritus - Brennsprit - Methyl Alkohol, **Holland:** Spiritus - Brand Spiritus, **Italy:** Alcool Denaturato - Spirito de Brucaire, **Japan:** Nen-ryo yoh, **Scandinavia:** T-Sprit - Rod Sprit - denaturaito sprii - Sinol - Marinol, **Spain:** Alcohol Metilico - Alcohol de Quemar, **Switzerland:** Brennsprit, **Turkey:** Ispirto, **UK:** Meths, **USA & Canada:** Denatured Alcohol, Bio-Ethanol

SAVE THESE INSTRUCTIONS

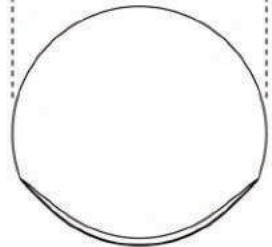
PARTS AND DIMENSIONS



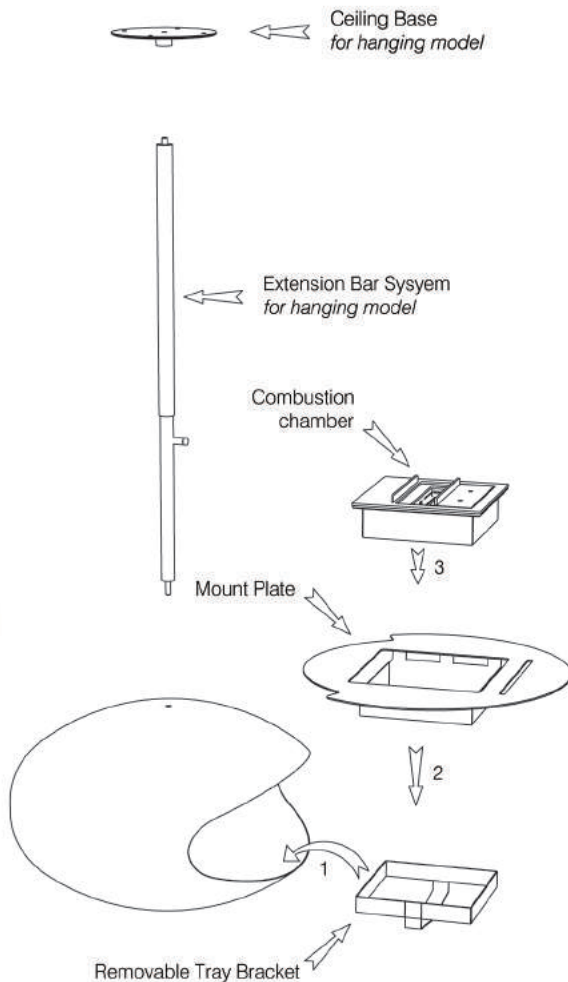
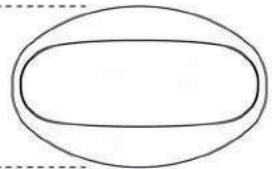
Cocoon Fires Patent Pending

Main Body Dimensions

60 cm - 2 ft



38 cm - 15 in



For hanging model:

- 1 security nut to secure extension bar to ceiling base
- 1 wing nut to secure extension bar to main body.

Optional for hanging model:

Extension bars are available to extend length of extension bar system in, 50cm (19.6in) and 100cm (39.2in).

HANGING MODEL

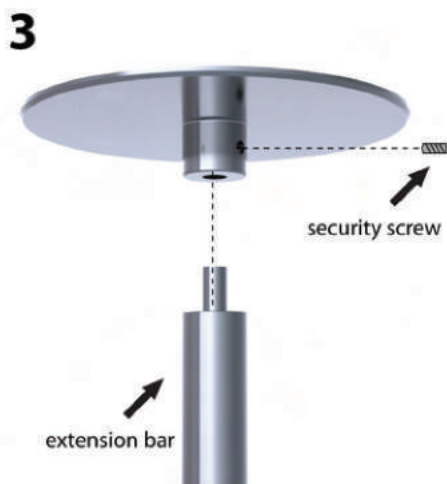
NOTE: may only be fitted into a load bearing ceiling that can handle 150kg or more



Mark and drill four holes in the ceiling and insert the corresponding dowels into the holes. (Dowels are not provided)



Fix the base on the ceiling by screwing it into dowels. (Fixing screws are not provided)



Screw in extension bar system into base and secure it with the side security screw.

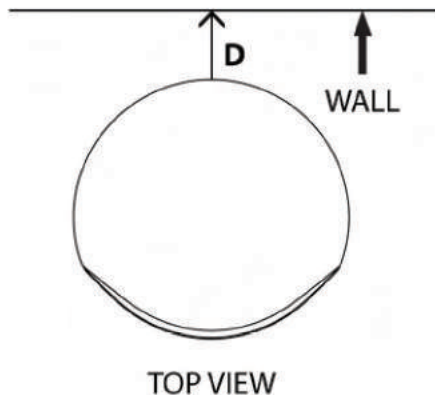
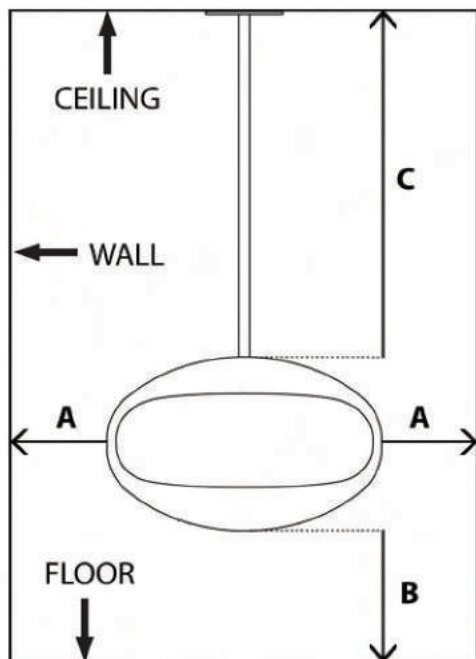


Adjust the height of the extension bar system by pulling the security pin on the side and raising or lowering the bar.

SAFETY CLEARANCE

WARNING

- Aim opening away from flammable objects or surfaces.
- Ceiling should be able to hold weight of chimenea of 19 Kg. - 42 Lb.

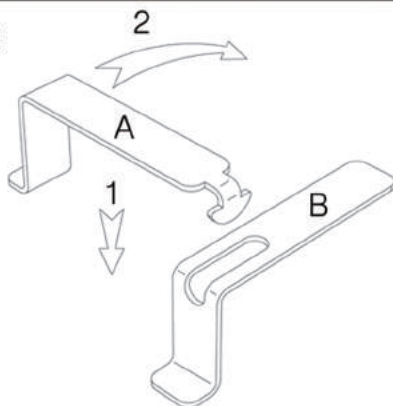


TOP VIEW

MINIMUM DISTANCE:

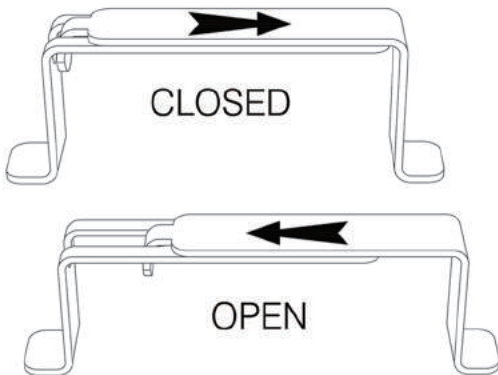
- A:** min 10.2 cm - min 4 in
- B:** min 38.1 cm - min 15 in
- C:** min 102 cm - min 40 in
- D:** min 3.8 cm - min 1.5 in

LIFTING HANDLE

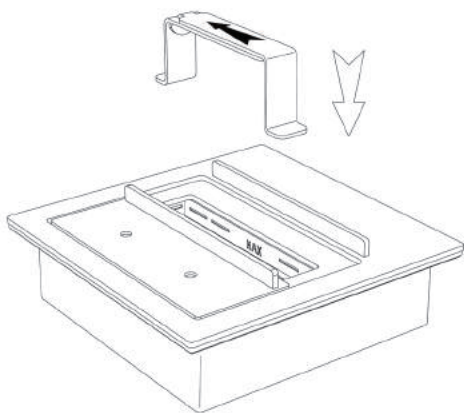


The lifting handle is used to take the combustion chamber in and out of the mount plate inside the main body. Step 1 is to join handle A and B as shown here. Once you have placed the tag of handle A into the slot of handle B, then twist it 90 degrees to lock them as one handle.

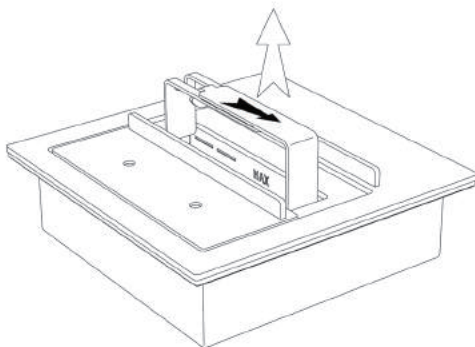
TAKING THE COMBUSTION CHAMBER IN AND OUT OF THE MAIN BODY



Once both parts of the handle are clipped together as shown on the previous page, the handle can be slid into an open or a closed position as shown on the left. To use the handle correctly to lift the combustion chamber in and out of the mount plate inside the main body, follow the instructions below. It is very important that when handling the combustion chamber with the handles, that the combustion chamber be kept as level as possible.



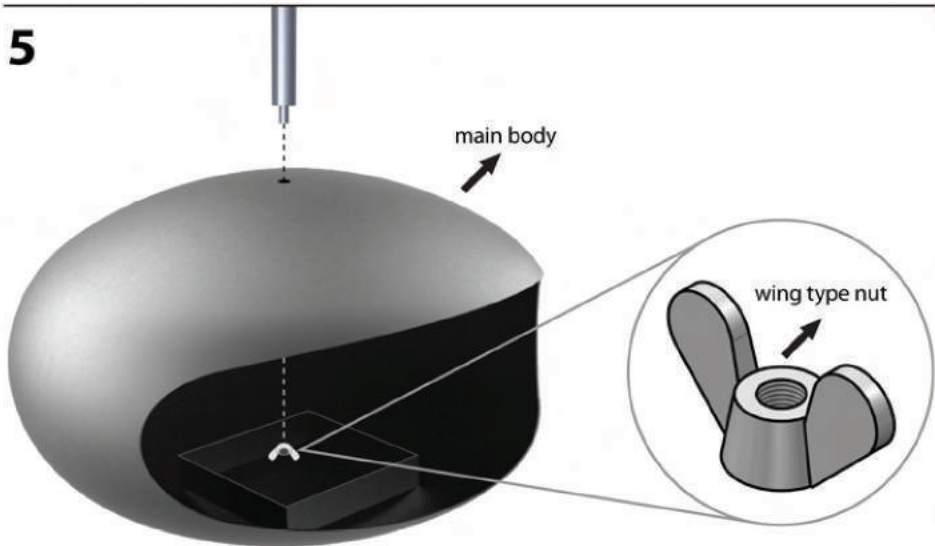
With the handle in the closed position, lower the flat tabs at the bottom of the lifting handle into the burner vent opening of the combustion chamber.



When the flat ends of the handles are all the way inside the combustion chamber, slide the handle into the open position as far as it will go. Grip the handles parts A and B firmly with one hand in the fully open position, then lift and insert the combustion chamber inside the mount plate.

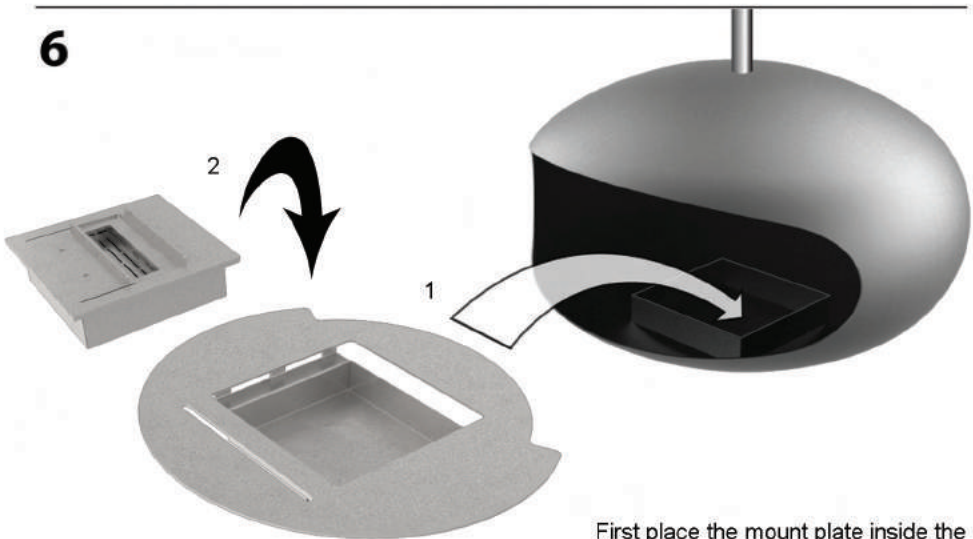
HANGING MODEL

5



Position main body into hanging bar and screw from the inside with wing type nut.

6

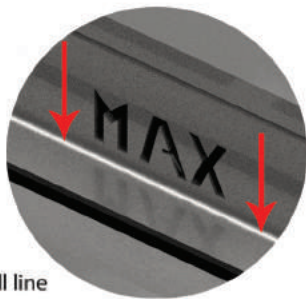
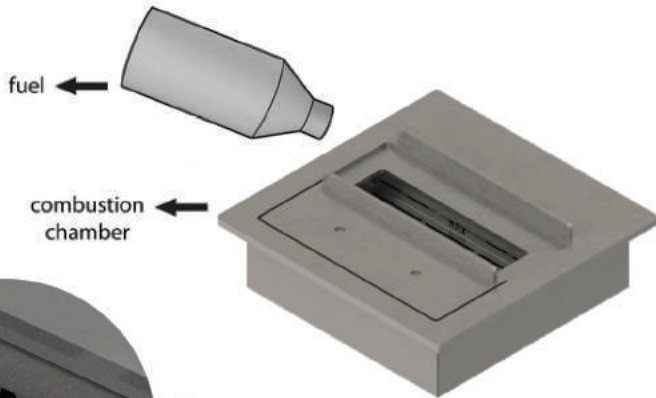


First place the mount plate inside the main body. Then using the lifting handles, place the fuel filled burner into the mount plate and centralize.

TO START THE FIREPLACE

1

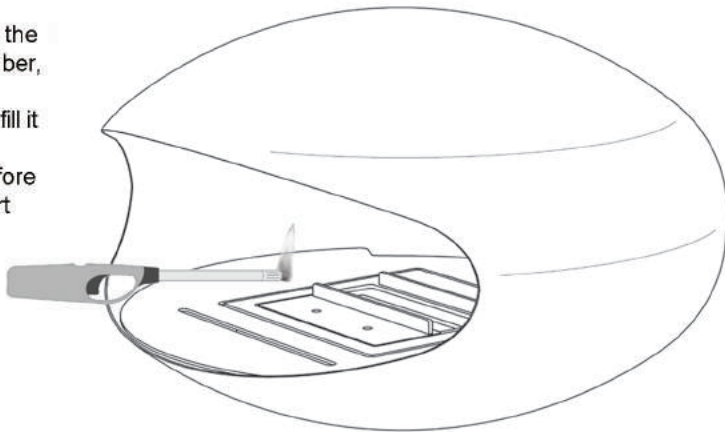
IMPORTANT:
Please ensure the burner is removed from the main body before filling with fuel.



To fill remove combustion chamber from main body and pour fuel inside. Fill up to fill line of 1,7 liters. After filling is done return the combustion chamber inside the main body.

2

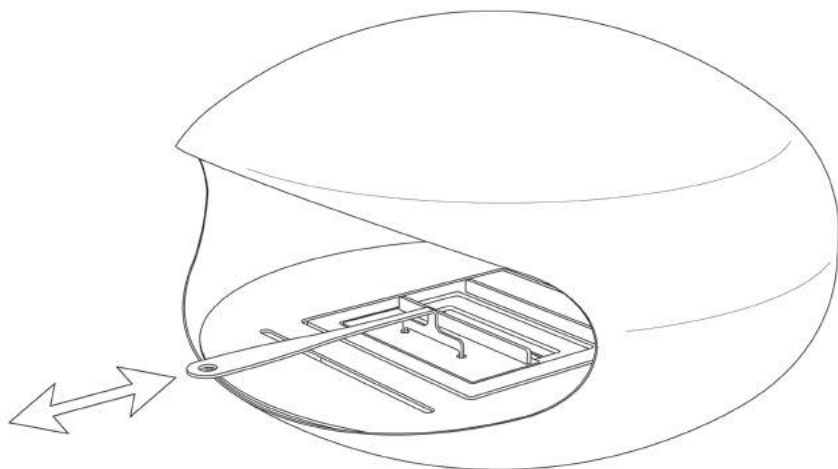
NOTE: after filling the combustion chamber, place the fuel cannister used to fill it with at a safe distance away before proceeding to start the fireplace.



Once the filled combustion chamber has been placed back inside the main body, carefully introduce a flame using a long arm lighter to start the fireplace.

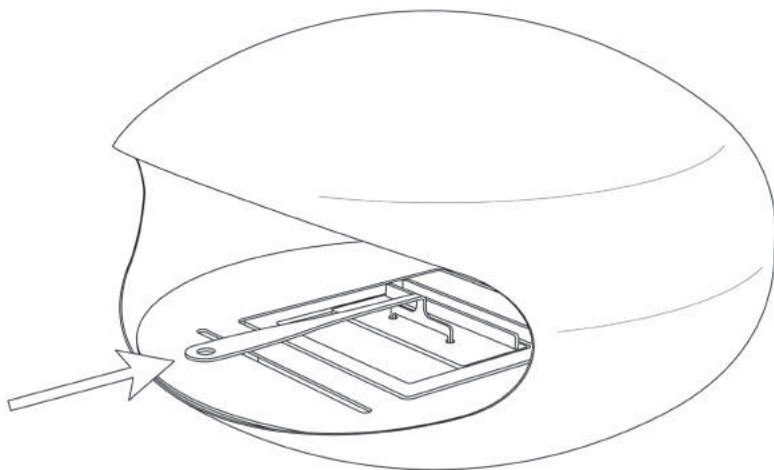
TO REGULATE AND EXTINGUISH THE FLAME

1



To regulate the flame, insert the tips of the sliding lid handle into the holes of the sliding lid of the combustion chamber and slide backwards or forward to regulate the flame size.

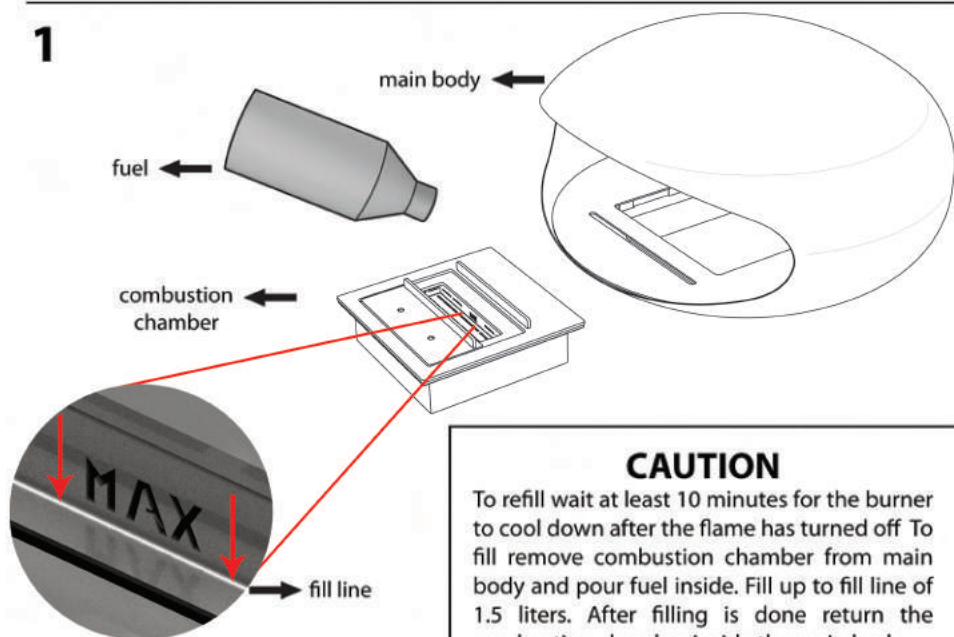
2



To extinguish the flame, insert the tips of the sliding lid handle into the holes of the sliding lid of the combustion chamber and slide all the way forward until the flame is extinguished.

TO REFILL THE FIREPLACE

1



CAUTION

To refill wait at least 10 minutes for the burner to cool down after the flame has turned off. To fill, remove combustion chamber from main body and pour fuel inside. Fill up to fill line of 1.5 liters. After filling is done, return the combustion chamber inside the main body.

WARNING

In a house of typical construction, that is, one that is not of unusually tight construction due to heavy insulation and tight seals against air infiltration, an adequate supply of air for combustion and ventilation is provided through infiltration. However, if the unvented decorative appliance is used in a small room where less than 200 cubic feet (5.7 m³) of air space is provided for each 1000 Btu per hour of unvented decorative appliance rating (considering the maximum burner adjustment), the door(s) to adjacent room(s) should be kept open or a window to the outside should be opened at least 1 in (25.4 mm) to guard against potential buildup of indoor air pollution. Do not use the unvented decorative appliance in a bathroom, a room where sleeping accommodation is provided or any other small room.

MAINTENANCE & PERIODIC SERVICE

1. Cleaning of unvented decorative appliance combustion surfaces,
2. Checking operation of external manual shutoff device.

Make sure the fireplace has cooled completely before cleaning.

To clean dust wipe with a dry cloth or sponge.

To clean stainless steel parts use alcohol or stainless steel cleaning products.

Make sure the sliding door from the combustion chamber slides correctly and fully.

WARNING

1. Risk of Explosion :

- i) Never use any fuel other than the fuels specifically identified for use in the unvented decorative appliance. Never use gasoline.
 - ii) Never refill unvented decorative appliance fuel reservoir when unvented decorative appliance is operating or still hot.
 - iii) Never use unvented decorative appliance where flammable vapors or gas may be present.
 - iv) Never store or transport the fuel in other than a metal or plastic container that is:
 - A) Acceptable for use with the specific fuel,
 - B) Non red in color,
 - C) Is in the original container for the (specific alcohol) Fuel.
- 2) Never store fuel in the living space/same location as the appliance.
 - 3) Due to high surface temperatures, keep children, clothing, and furniture away.
 - 4) Risk of Indoor Air Pollution – Use unvented decorative appliance only in well-ventilated areas and with doors of adjacent room open. **Do not obstruct air flow to the fuel holder box by piling logs over the fuel holding box, but only around it and do not obstruct the fuel holder box in any other way or with any other material.** People with breathing problems should consult a physician before using the unvented decorative appliance.
 - 5) Do not use unvented decorative appliance to heat or boil water or use as a cooking appliance.
 - 6) **Do not use in a room with Oxygen tanks in use.**



COCOON FIRES
info@cocoonfires.com
www.cocoonfires.com



www.cocoonfires.com