



CoolSmart

PB 36CF, 564 25K, 3615HO

(sku# 98900778)

Compatibility

- ProBuilder 36 Clean Face
- 564 25K (Standard or CleanFace)
- 3615 HO Linear (sn# 3213-003633 or greater)

Packing List

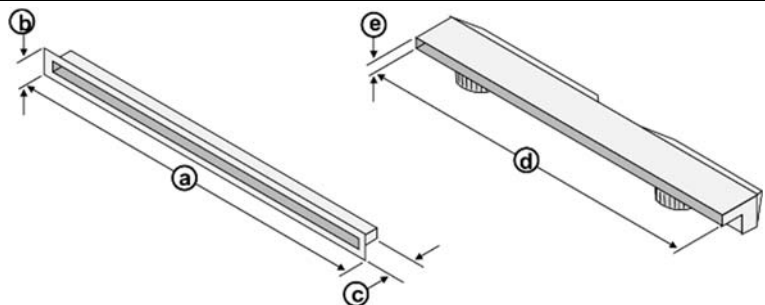
- (1) Convection Manifold (with grill and mounting brackets pre-attached)
- (2) 5" Diameter Aluminum Flex Ducts
- (2) Starter Collars
- (12) Self-Drilling Tek Screws
- (2) Convection Air Deflectors (Used for the PB 36 ONLY – see below)

Table of Contents

Compatibility	1
Packing List	1
PB 36 CF - Installation Overview.....	2
PB 36 CF - Installation Requirements	3
PB 36 CF - Framing the Chase.....	4
PB 36 CF - Fireplace Preparation.....	5
PB 36 CF - Reduced Mantel Height.....	7
564 25K - Installation Overview.....	8
564 25K - Installation Requirements.....	9
564 25K - Framing the Chase.....	10
564 25K - Fireplace Preparation	11
564 25K - Reduced Mantel Height.....	13
3615 HO - Installation Overview.....	14
3615 HO - Installation Requirements.....	15
3615 HO - Framing the Chase.....	18
3615 HO - Fireplace Preparation	19
3615 HO – Mantel Clearances.....	23
CoolSmart TV Installation (36CF, 564 25K, 3615HO).....	24

Grill and Manifold Dimensions

The grill may be installed over the facing to provide an aesthetic opening for the convection outlet. (2) 8-32 x 1-1/2" screws attach the trim to the upper manifold. This allows variable thickness of finish material.



Dimensions

a	b	c	d	e
35-7/8" (912mm)	2-7/8" (74mm)	1-1/4" (32mm)	34-7/8" (886mm)	1-3/4" (45mm)



CoolSmart

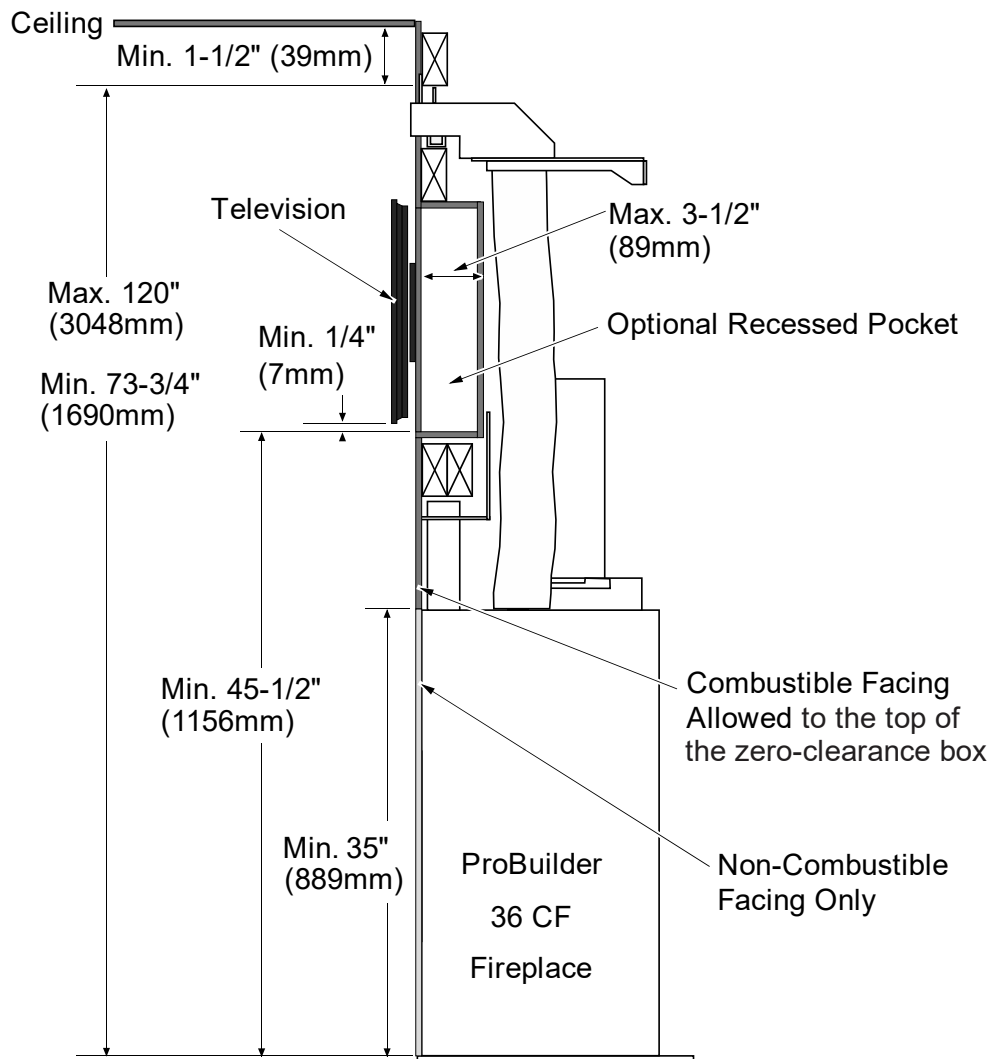
PB 36CF, 564 25K, 3615HO

(sku# 98900778)

PB 36 CF - Installation Overview

The CoolSmart system is designed to redirect the convective heat of the fireplaces from the front of the unit, just above the glass, to a location higher on the wall. The use of this kit allows for reduced clearances to televisions and a recessed cavity above the fireplace. When using this kit, disregard the framing dimensions in the manual and follow the framing instructions included in this instruction sheet. See the installation manual for further requirements.

When used on the PB 36 CF, this kit allows for the **non-combustible facing height to be reduced**. See illustration below for details.



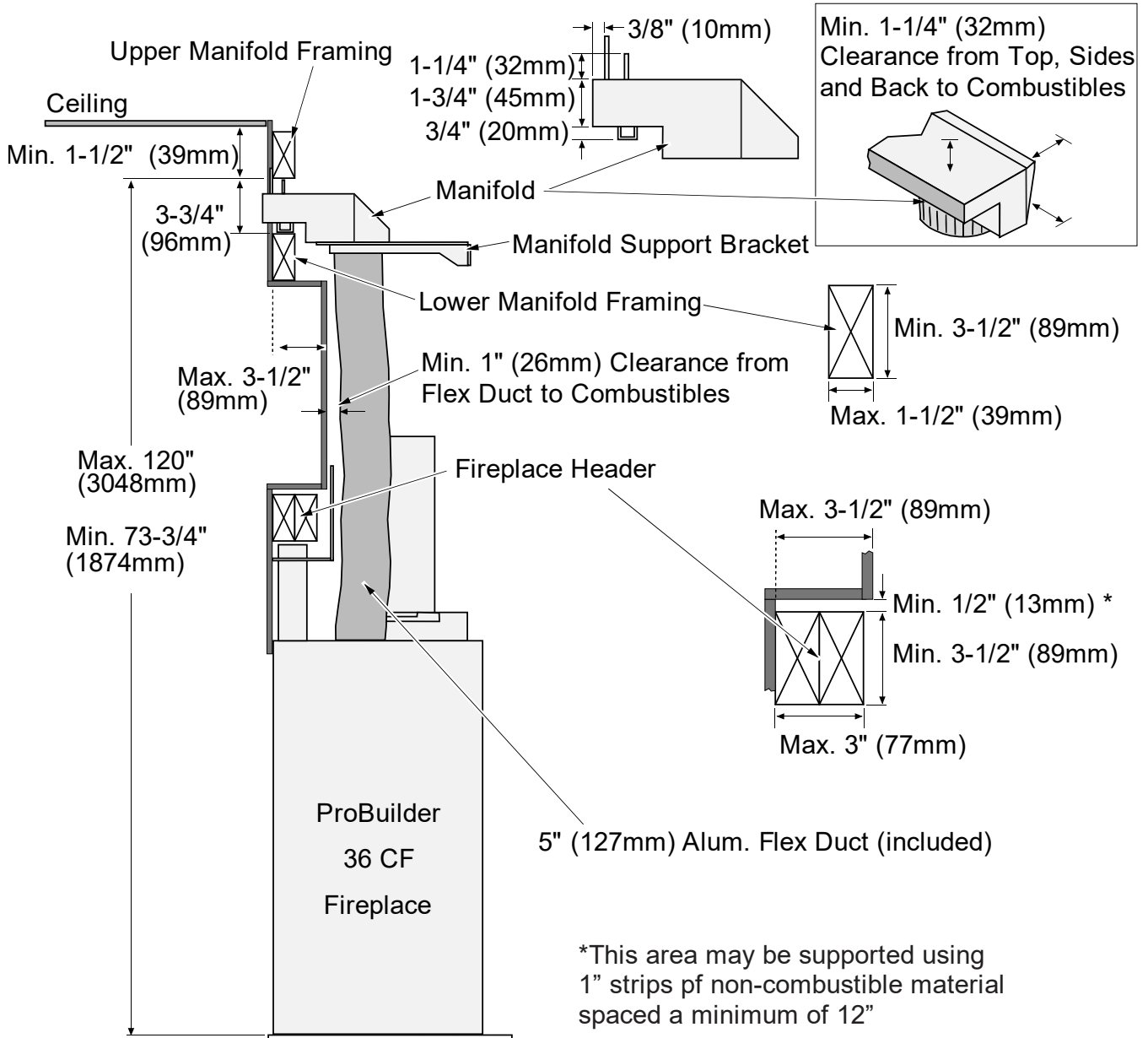


CoolSmart

PB 36CF, 564 25K, 3615HO

(sku# 98900778)

PB 36 CF - Installation Requirements





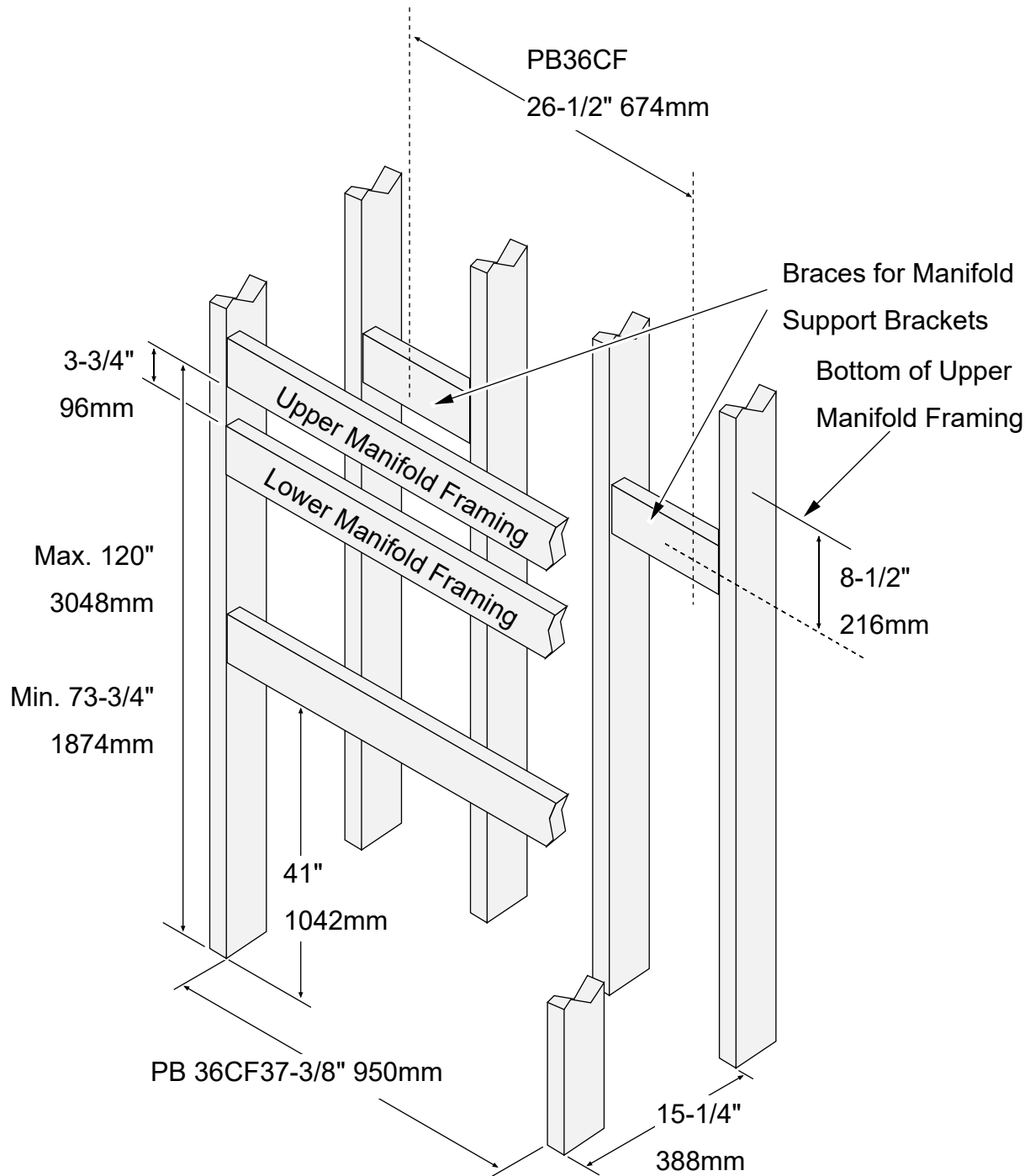
CoolSmart

PB 36CF, 564 25K, 3615HO

(sku# 98900778)

PB 36 CF - Framing the Chase

When using this kit, disregard the framing dimensions in the manual and follow the framing instructions shown below.





CoolSmart

PB 36CF, 564 25K, 3615HO

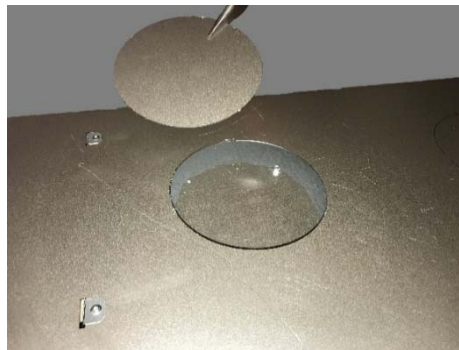
(sku# 98900778)

PB 36 CF - Fireplace Preparation

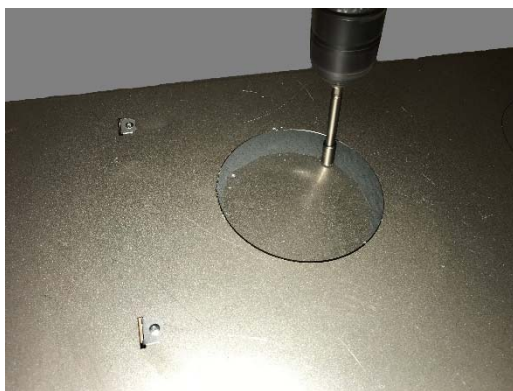
- 1 Remove the knockouts from the top of the fireplace.
- 2 Use snips or diagonal cutters to snip the tab on the knockouts. Press on the far side away from the tap to pop the edge of the knockout up.



- 3 Grab on to the knockout with pliers and bend it back and forth until the remaining tabs break free. Discard the knock out plate.



- 4 Under each knock out plate, you will find a cover plate held in place with (2) 1/4" screws. Use a nut driver or drill with an extension to remove the (2) screws. Reach in and remove the cover plate. You may discard the plates.



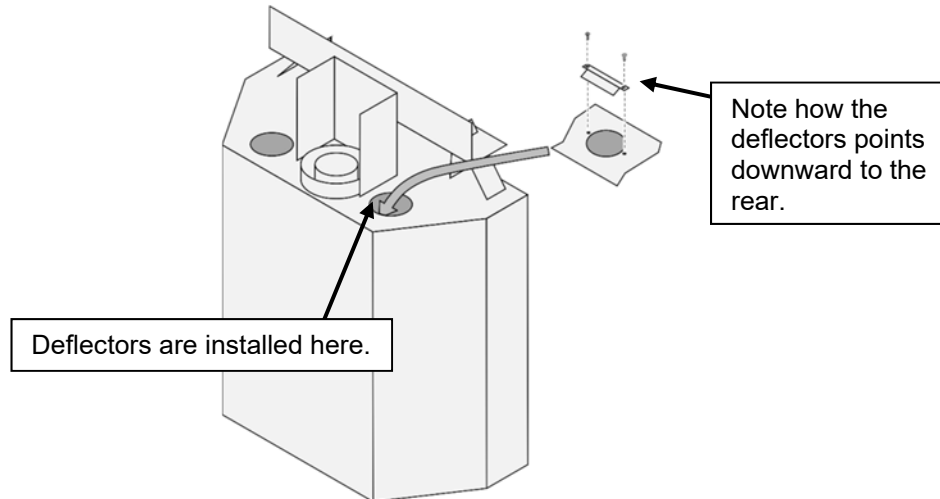


CoolSmart

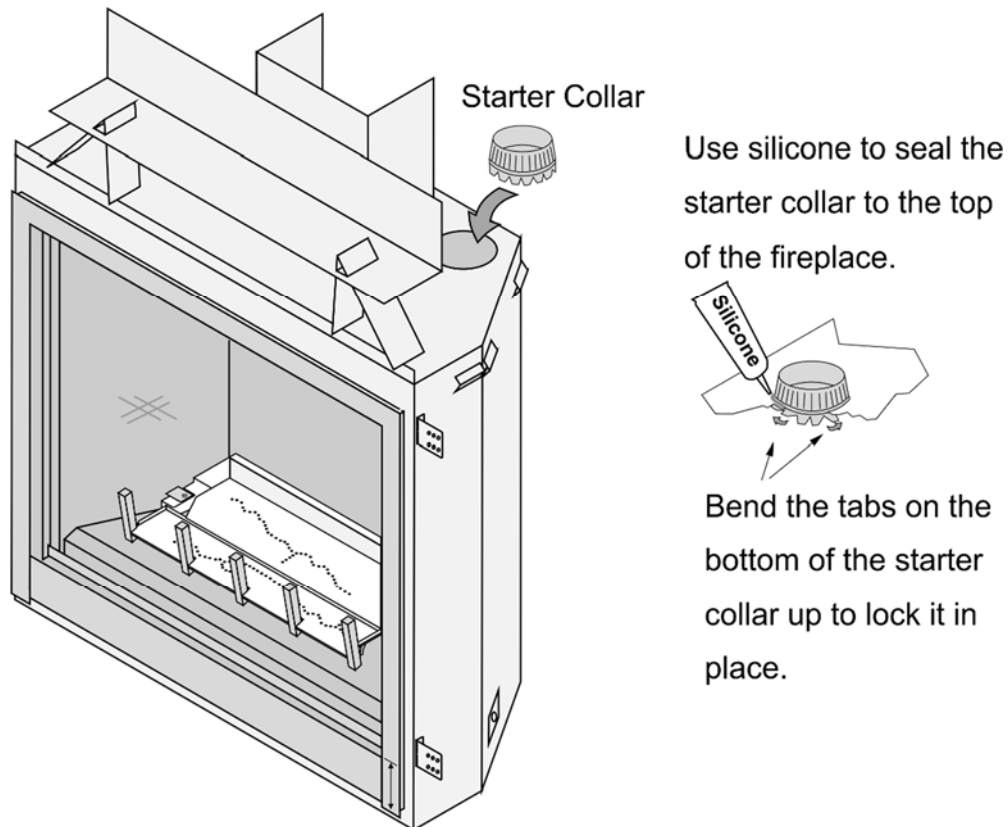
PB 36CF, 564 25K, 3615HO

(sku# 98900778)

- 5 Install the Convection Air Deflectors. The 2 deflectors must be installed prior to attaching the CoolSmart kit. After removing the cover plates, install the deflectors as shown below.



- 6 Insert a starter collar into each of the (2) holes that were uncovered in the previous step and bend the tabs to secure the starter collar to the fireplace. Seal the joints with silicone caulk or aluminum (U.L. 181A-P) tape.



- 7 Install the fireplace into the framed chase.



CoolSmart

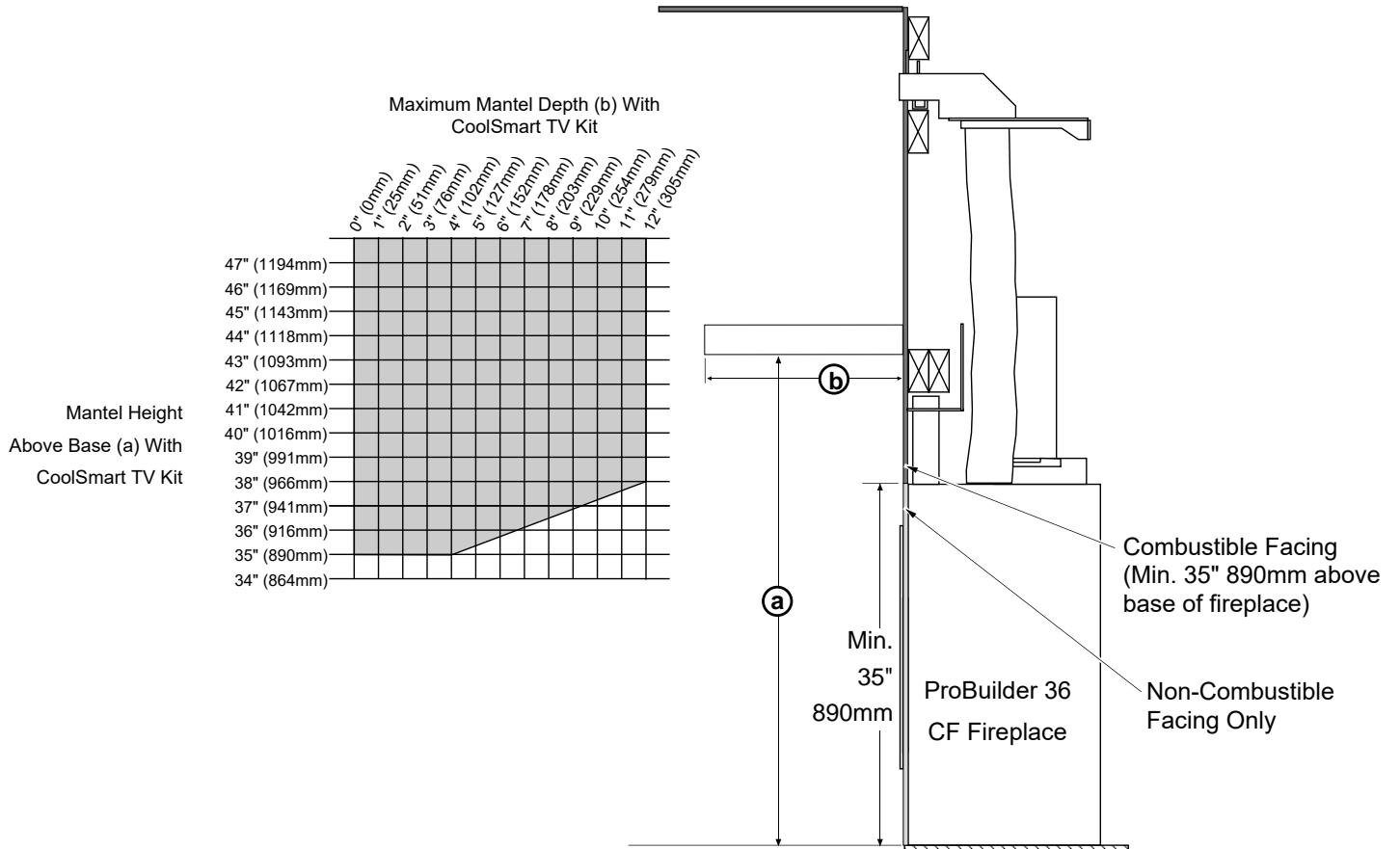
PB 36CF, 564 25K, 3615HO

(sku# 98900778)

PB 36 CF - Reduced Mantel Height

When using this kit, disregard the combustible mantel requirements in the manual and follow the requirements shown to the right. If you wish to place a TV above the mantel, it must meet the following requirements:

- Minimum 1" air gap behind TV to wall.
- The mantel must extend 2" in front of the TV and 1" to both sides.





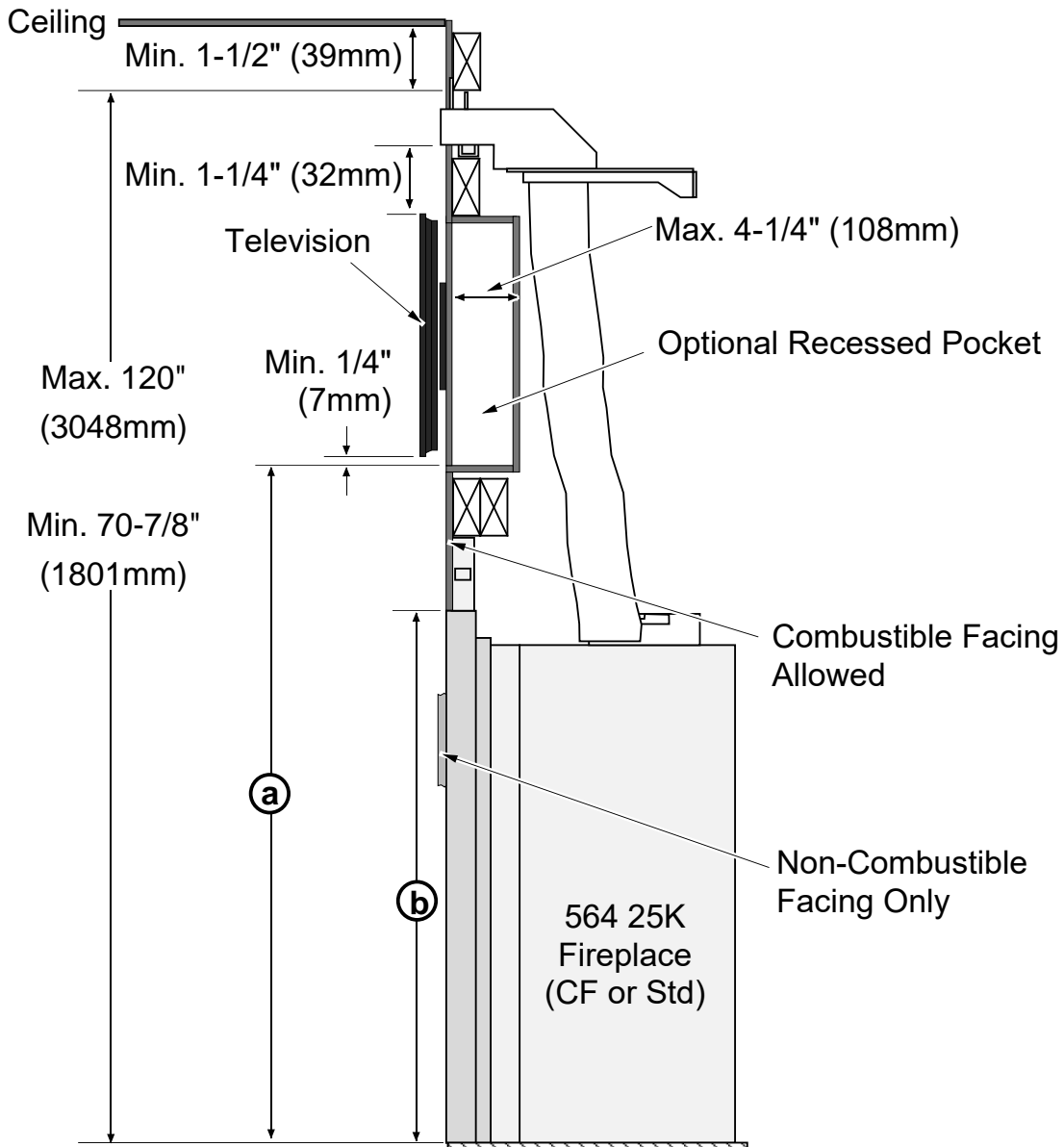
CoolSmart

PB 36CF, 564 25K, 3615HO

(sku# 98900778)

564 25K - Installation Overview

The CoolSmart system is designed to redirect the convective heat of the fireplaces from the front of the unit, just above the glass, to a location higher on the wall. The use of this kit allows for reduced clearances to televisions and a recessed cavity above the fireplace. When using this kit, disregard the framing dimensions in the manual and follow the framing instructions included in this instruction sheet. See the installation manual for further requirements.



	564 25K CleanFace	564 25K Standard
a	41-3/8" (1051mm)	41-3/8" (1051mm)
b	33-1/8" (842mm)	30-1/4" (769mm)

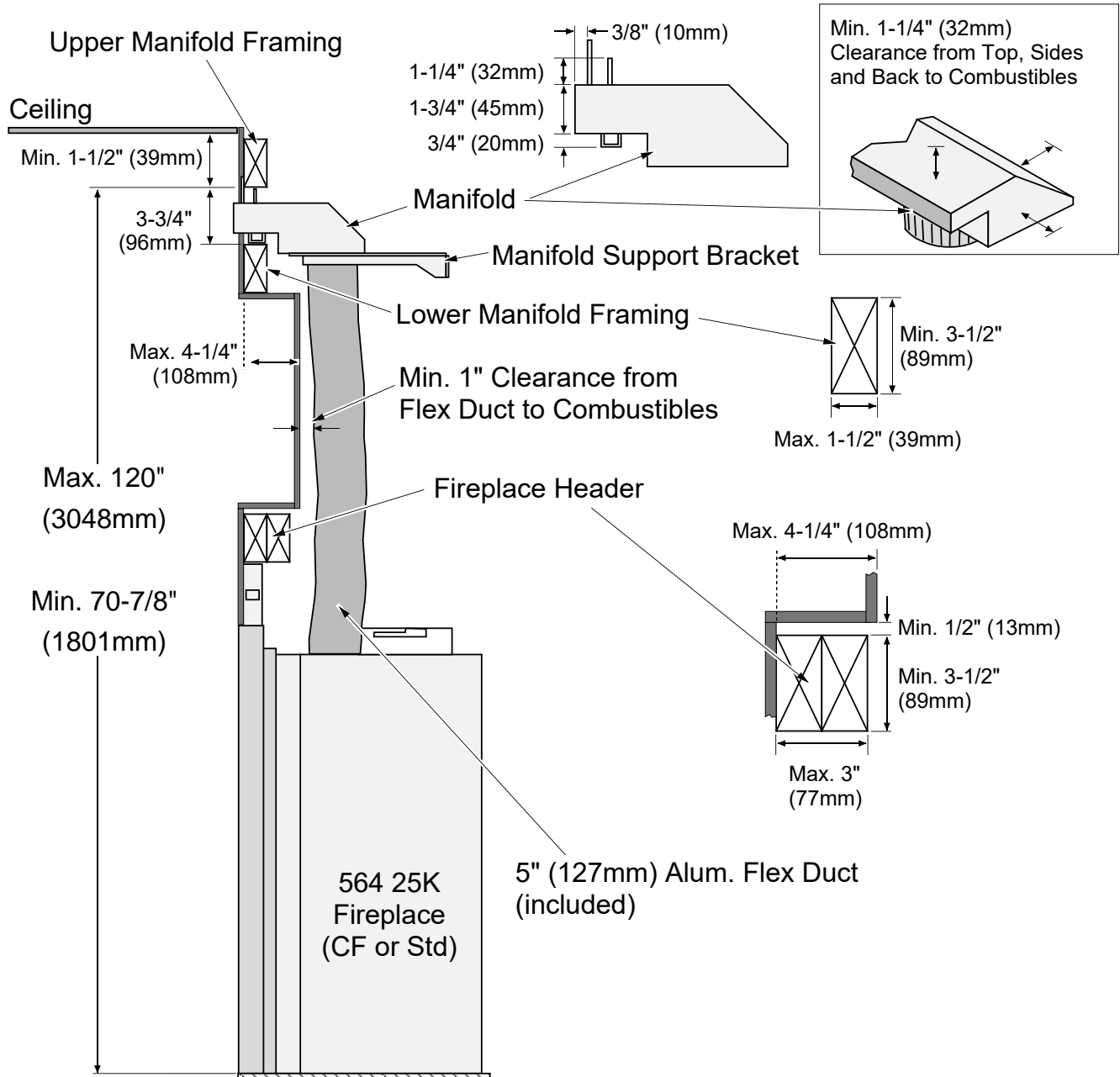


CoolSmart

PB 36CF, 564 25K, 3615HO

(sku# 98900778)

564 25K - Installation Requirements





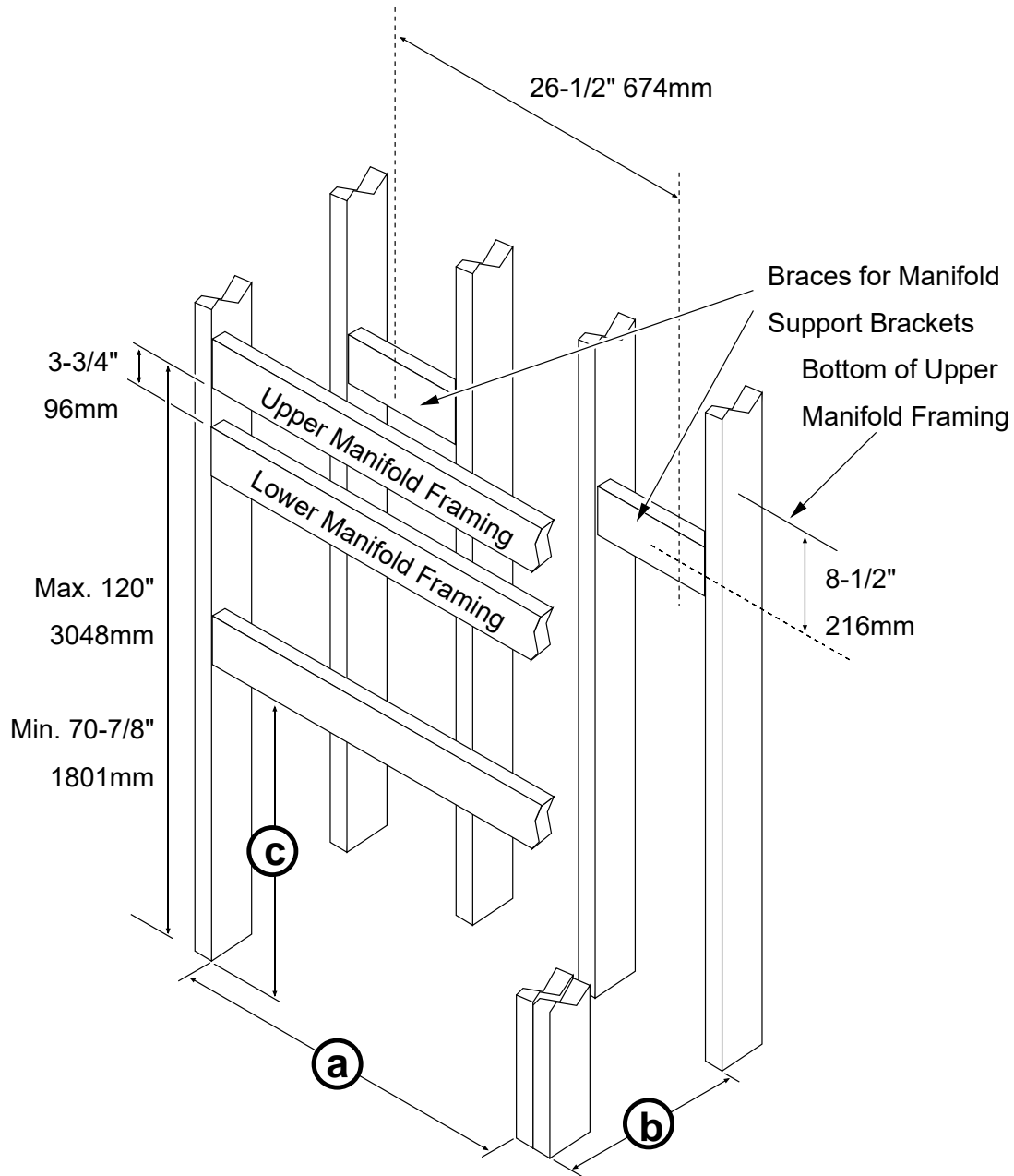
CoolSmart

PB 36CF, 564 25K, 3615HO

(sku# 98900778)

564 25K - Framing the Chase

When using this kit, disregard the framing dimensions in the manual and follow the framing instructions shown below.



	564 25K Standard	564 25K CleanFace
a	37-3/4" (959mm)	38-3/4" (985mm)
b	17-1/2" (445mm)	19-3/8" (493mm) Flush 18-7/8" (480mm) Extended
c	37-1/4" (947mm)	37-1/4" (947mm)



CoolSmart

PB 36CF, 564 25K, 3615HO

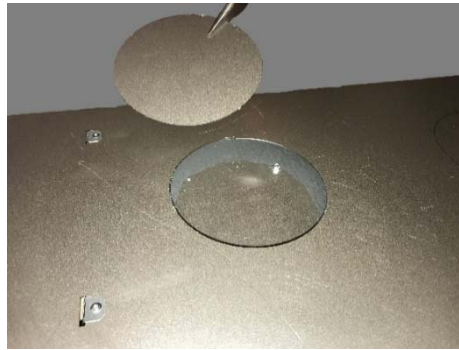
(sku# 98900778)

564 25K - Fireplace Preparation

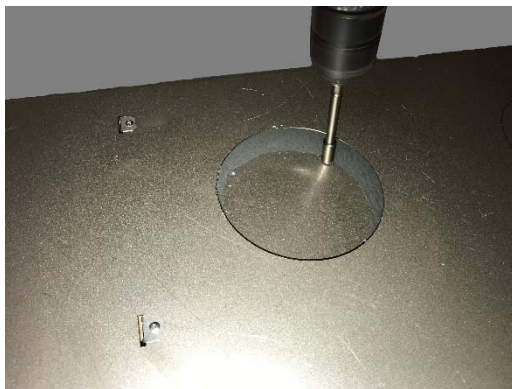
1. Remove the knockouts from the top of the fireplace.
2. Use snips or diagonal cutters to snip the tab on the knockouts. Press on the far side away from the tap to pop the edge of the knockout up.



3. Grab on to the knockout with pliers and bend it back and forth until the remaining tabs break free. Discard the knock out plate.



4. Under each knock out plate, you will find a cover plate held in place with (2) ¼" screws. Use a nut driver or drill with an extension to remove the (2) screws. Reach in and remove the cover plate. You may discard the plates.





CoolSmart

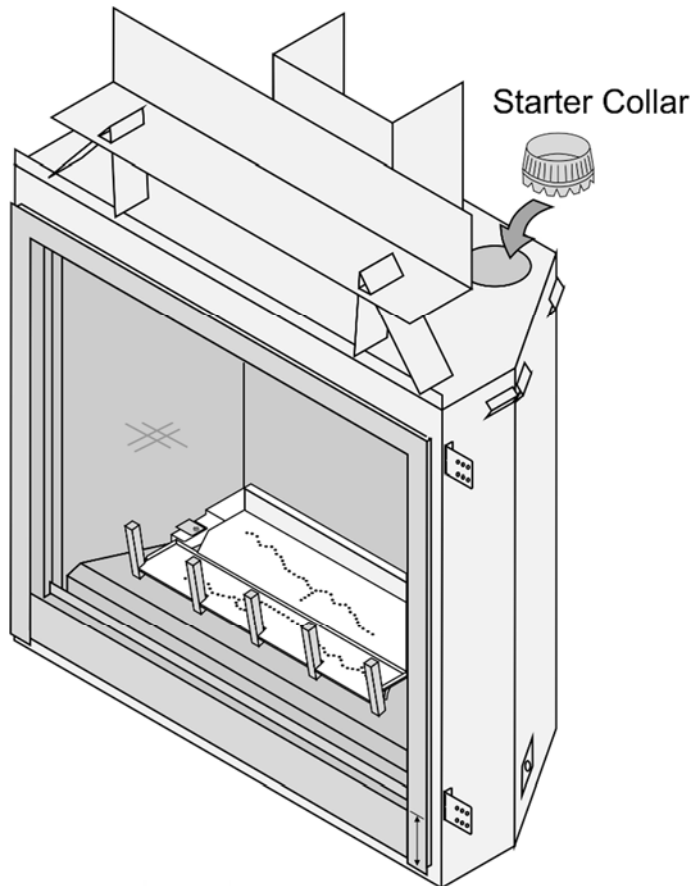
PB 36CF, 564 25K, 3615HO

(sku# 98900778)

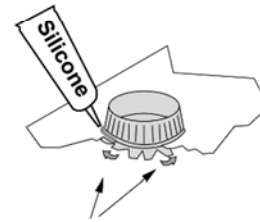
5. You will need to remove a third cover plate on each side. Remove the 2 screws holding the cover plate in place. Reach in and remove the cover plate. You may discard the plates.



6. Insert a starter collar into each of the (2) holes that were uncovered in the previous step and bend the tabs to secure the starter collar to the fireplace. Seal the joints with silicone caulk or aluminum (U.L. 181A-P) tape.



Use silicone to seal the starter collar to the top of the fireplace.



Bend the tabs on the bottom of the starter collar up to lock it in place.

7. Install the fireplace into the framed chase. See section "Installation" in the manual.



CoolSmart

PB 36CF, 564 25K, 3615HO

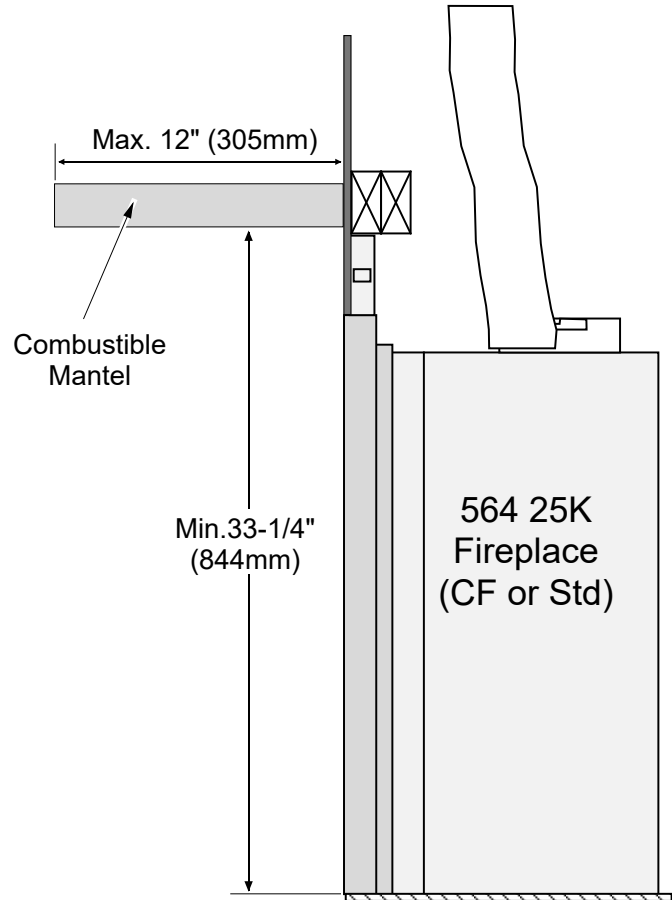
(sku# 98900778)

564 25K - Reduced Mantel Height

When using this kit, disregard the combustible mantel requirements in the manual and follow the requirements shown to the right.

If you wish to place a TV above the mantel, it must meet the following requirements:

- Minimum 1" air gap behind TV to wall.
- The mantel must extend 2" in front of the TV and 1" to both sides.





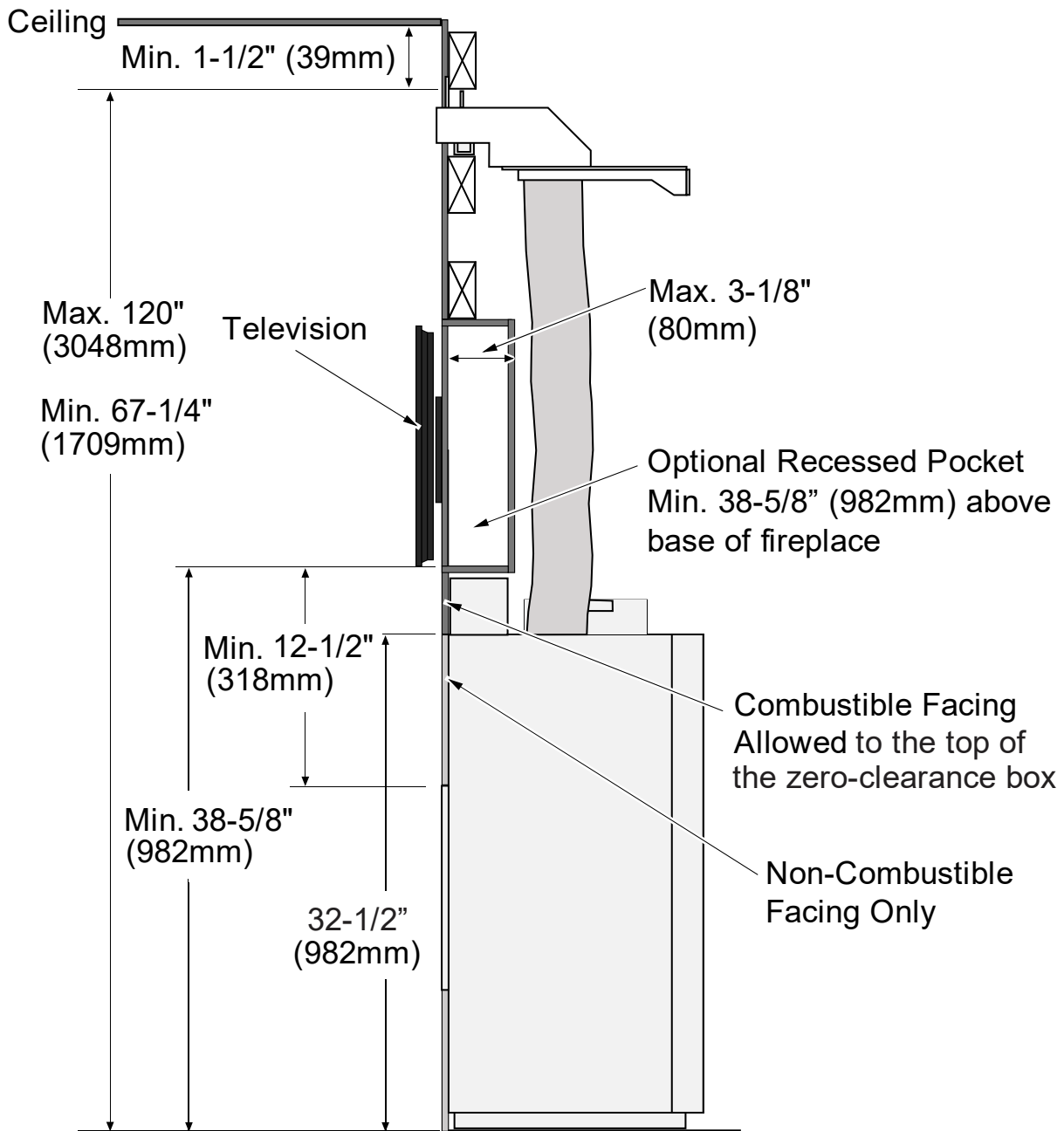
CoolSmart

PB 36CF, 564 25K, 3615HO

(sku# 98900778)

3615 HO - Installation Overview

The CoolSmart system is designed to redirect the convective heat of the fireplace from the front of the unit, just above the glass, to a location higher on the wall. The use of this kit allows for reduced clearance to combustibles and accommodates TV installations closer to the fireplace or in recessed cavities above the fireplace. When using this kit, disregard the framing dimensions in the manual and follow the framing instructions shown on page in this document. In addition, the use of this kit allows for combustible facing to be installed over non-combustible board over the front of the fireplace (see section Combustible "Over-Facing" section). All other installation requirements for the fireplace must be followed as detailed in the appliance installation manual.



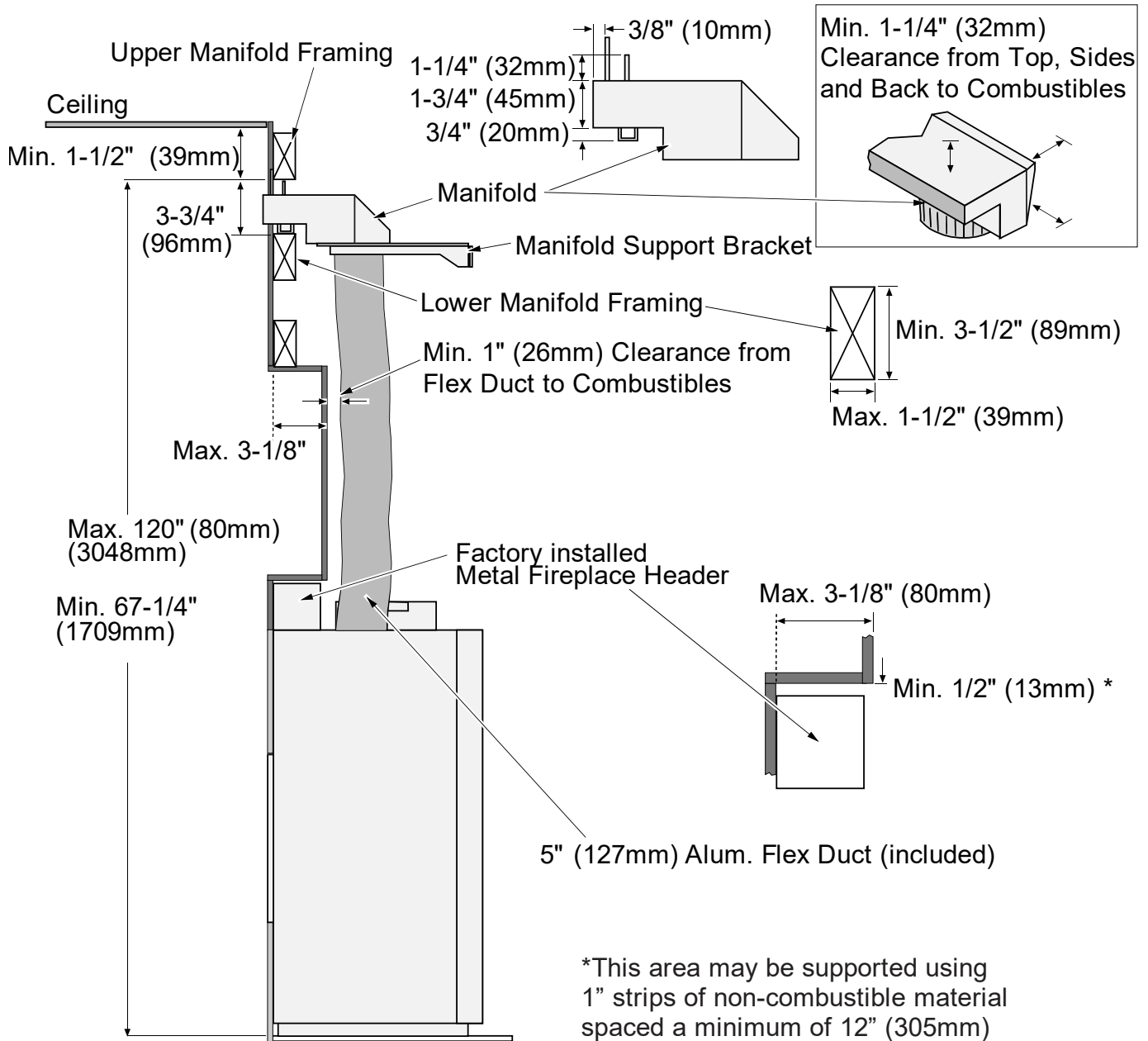


CoolSmart

PB 36CF, 564 25K, 3615HO

(sku# 98900778)

3615 HO - Installation Requirements





CoolSmart

PB 36CF, 564 25K, 3615HO

(sku# 98900778)

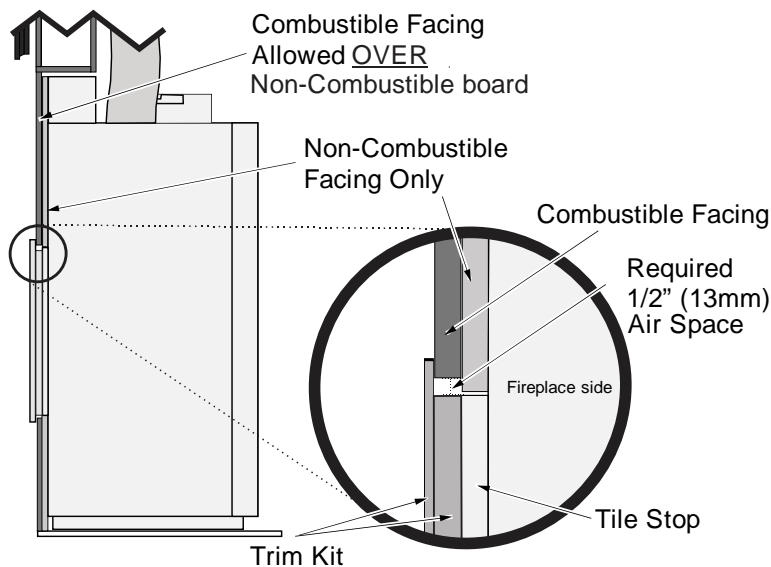
3615 HO - Combustible “Over-Facing” (Optional)

When using the CoolSmart TV kit, Combustible material can be installed over the front of the fireplace. **The combustible material MUST be installed over ½” non-combustible board.**

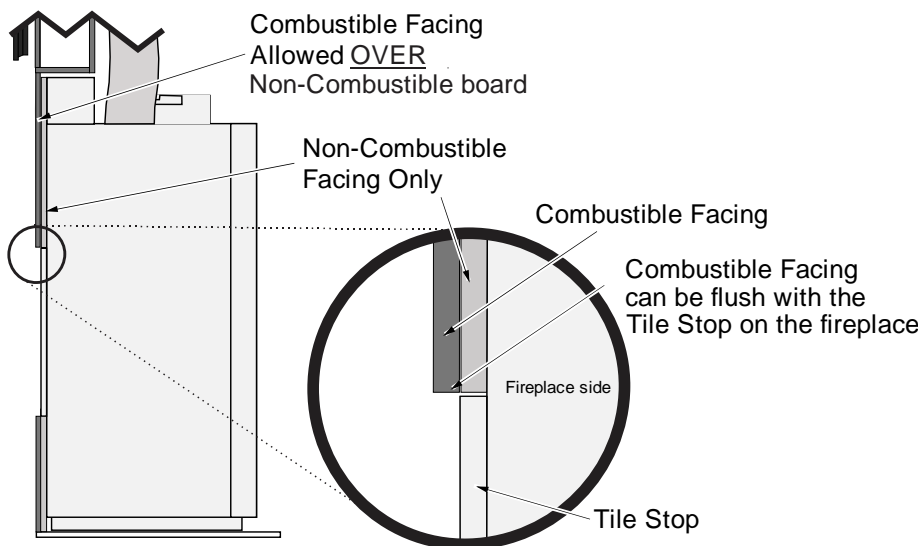
WARNING: If using a trim kit or the Gallery face, a ½ “ air space is required from all four sides of the tile stop on the fireplace. If no trim is being used, the airspace is not required (see below for details).

NOTE: The maximum facing depth (combustible + non-combustible facing) is 1-1/4”. Any facing that extends farther than 1-1/4” must meet mantel clearances.

Over Facing WITH Trim Kit



Over Facing WITH OUT Trim Kit



WARNING: The front of the appliance is subject to high temperatures which may cause discoloration and/or material degradation. Take this into account when choosing finishing materials.



CoolSmart

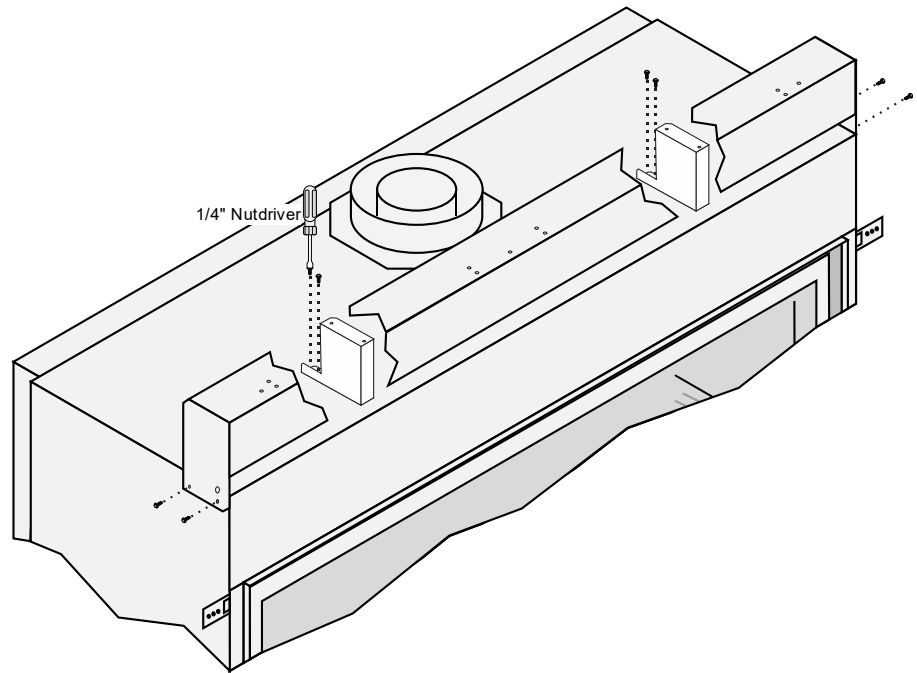
PB 36CF, 564 25K, 3615HO

(sku# 98900778)

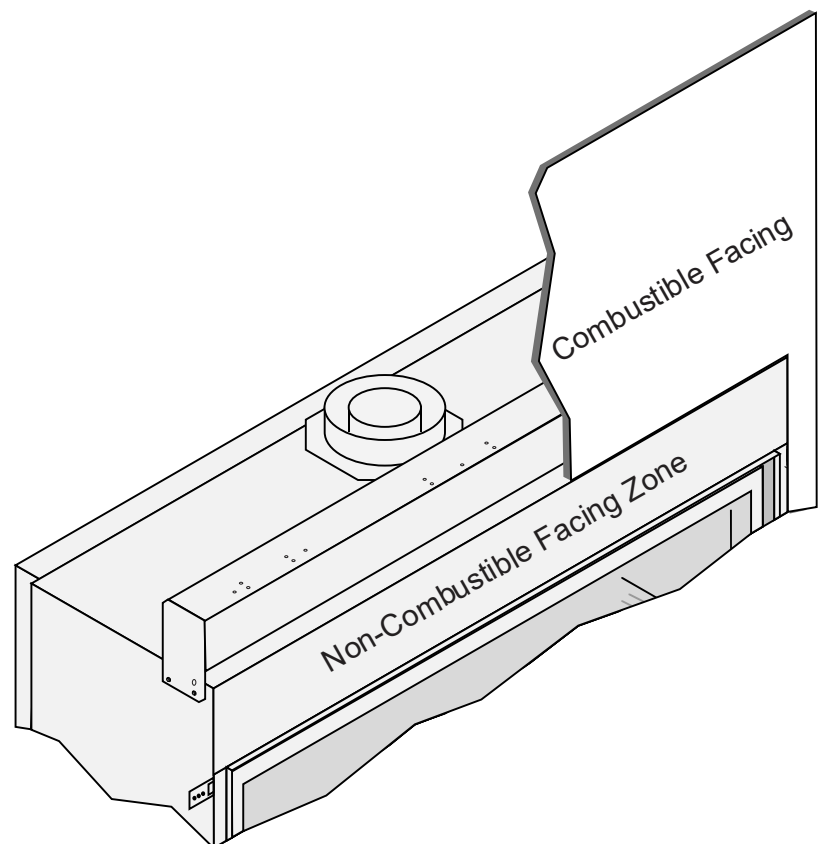
3615 HO - Flush Facing Header Configuration and Facing

For installations where only non-combustible facing will cover the front of the appliance, the metal header can be moved back $\frac{1}{2}$ " to accommodate drywall installed flush with the front of the fireplace. The drywall can contact the top $\frac{1}{2}$ " of the fireplace top.

- Use a $\frac{1}{4}$ " nut driver to remove the (8) screws that secure the header assembly to the top of the fireplace
- Slide the header assembly back $\frac{1}{2}$ ".
- Align the header assembly with the second set of holes in the fireplace. Reattach the assembly to the fireplace (use the screws removed in the first step).



WARNING: For flush installations, combustible facing can touch the first $\frac{1}{2}$ " if the fireplace box. **ONLY NON-COMBUSTIBLE FACING** can cover the front of the appliance.



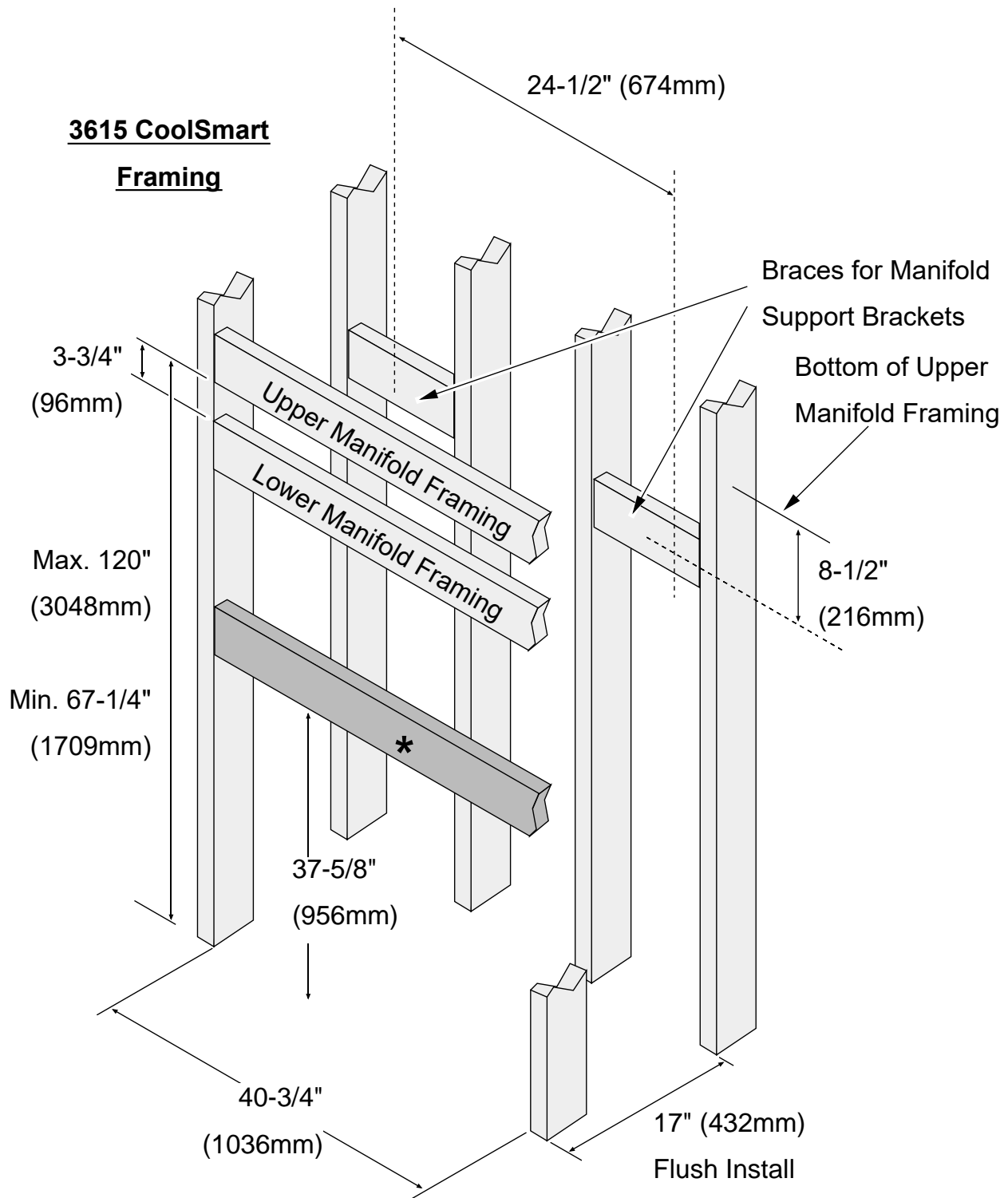


CoolSmart

PB 36CF, 564 25K, 3615HO

(sku# 98900778)

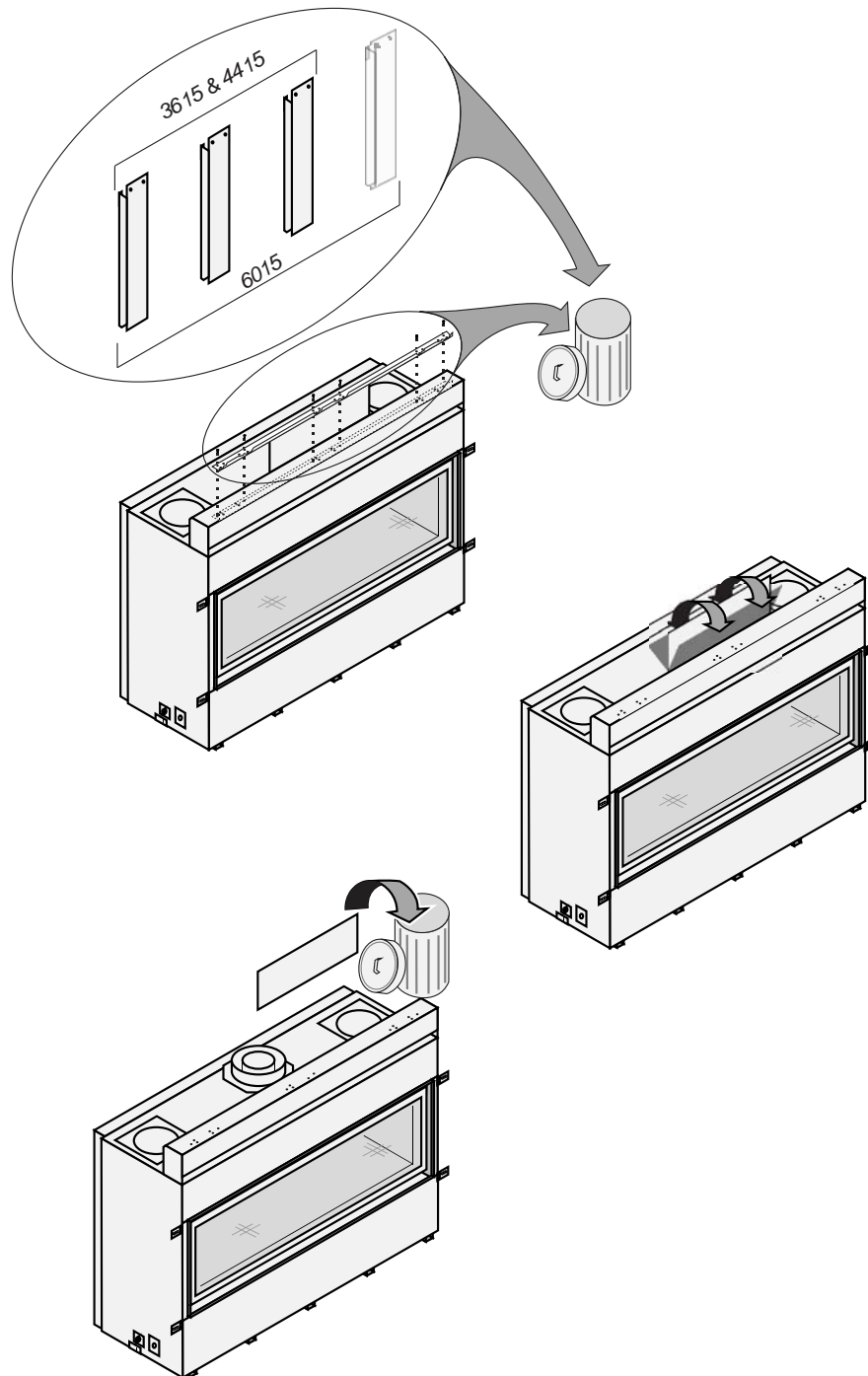
3615 HO - Framing the Chase



* The dark-shaded framing may be installed after the fireplace is put into position. It is used to provide support for the facing above the fireplace and nailing brackets.

3615 HO - Fireplace Preparation

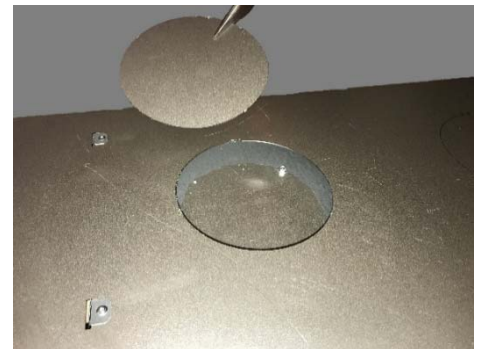
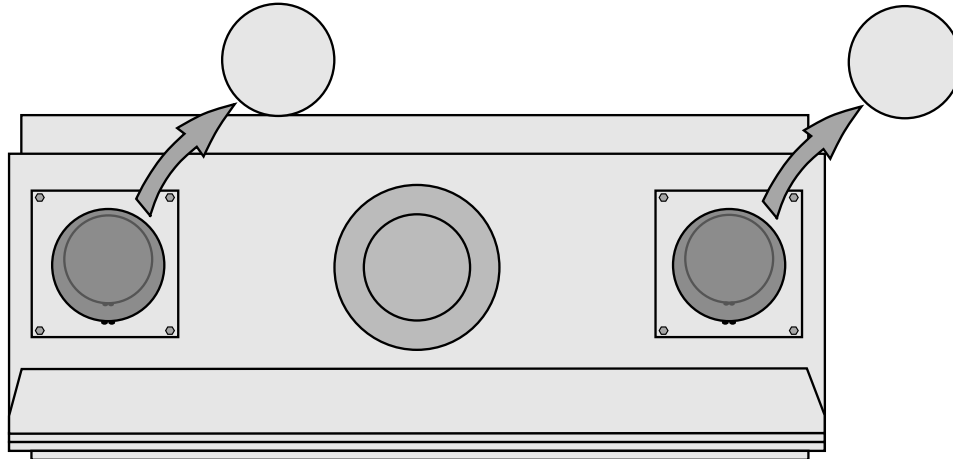
- When using the CoolSmart TV kit, you may discard the metal framing members included with the fireplace (3615 and 4415 have (3) and 6015 has (4)).
- Remove the screws that secure the sheetrock backer ("L" shaped metal bracket secured to the metal header of the unit) and discard the backer (see first illustration below). Bend the pipe heat shield back and forth until it snaps off of the metal header. Discard the heat shield (see middle and right illustrations below).



WARNING: In order to extract the heat properly from around the firebox, you will must remove (3) layers of cover plates for each of the (2) flex attachment points on the top of the fireplace. Not removing all of the cover plates can create hazardous conditions.

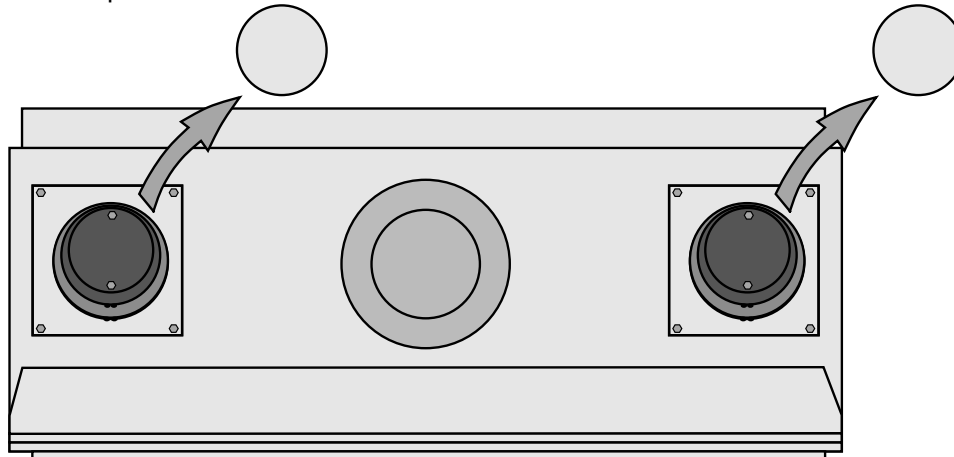
First Layer

- Remove the (2) 5" knockouts (leave the square cover plates in place). Use snips or diagonal cutters to snip the tab on the knockouts. Press on the far side away from the tab to pop the edge of the knockout up. Grab on to the knockout with pliers and bend it back and forth until the remaining tabs break free. Discard the knock out plate.



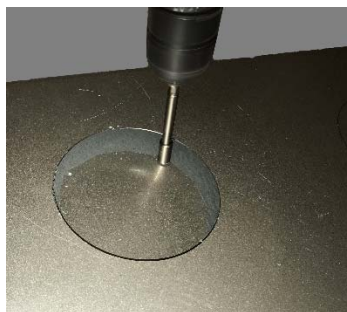
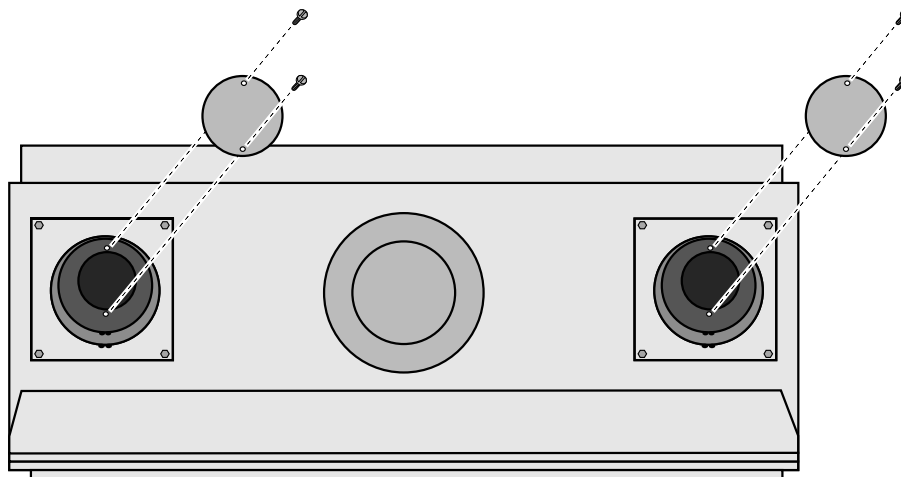
Second Layer

- Under the first layer of knockout plates, you will see another set of knockouts. Remove these knockouts using the same technique described above.



Third (final) Layer

- Under the second layer of knockout plates, you will find cover plates held in place with (2) 1/4" screws. Use a nut driver or drill with an extension to remove the (2) screws. Reach in and remove the cover plate. You may discard the plates.

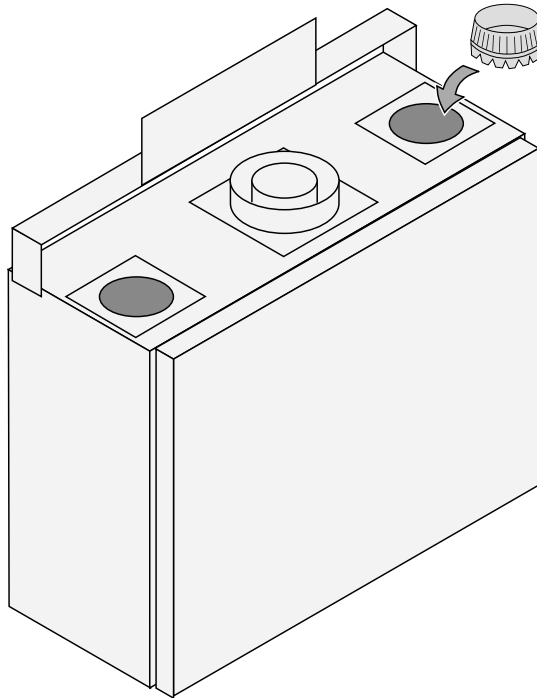


CoolSmart TV

PB 36CF, 564 25K, 3615HO

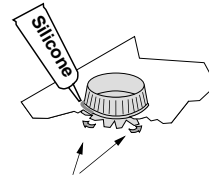
(sku# 98900778)

- Install the starter collars onto the fireplace (see below).



Starter Collar

Use silicone to seal the starter collar to the top of the fireplace.



Bend the tabs on the bottom of the starter collar up to lock it in place.

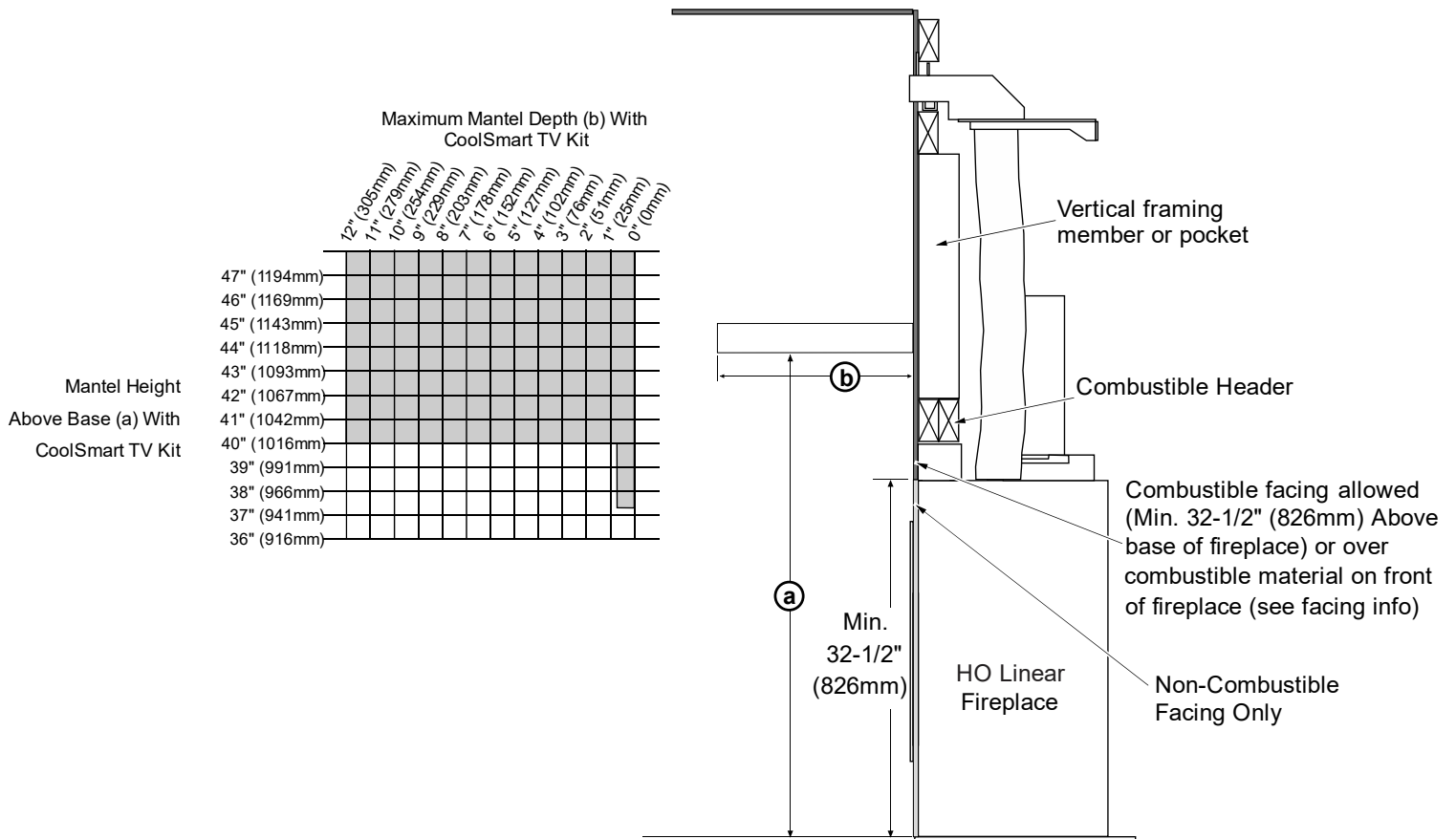
- Install the fireplace into the framed chase. See section "Installation" in the manual.

3615 HO – Mantel Clearances

When using this kit, disregard the combustible mantel requirements in the manual and follow the requirements shown to the right.

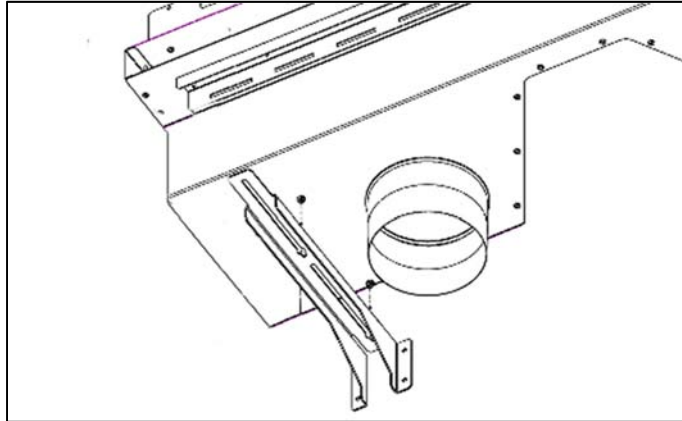
If you wish to place a TV above the mantel, it must meet the following requirements:

- Minimum 1" air gap behind TV to wall.
- The mantel must extend 2" in front of the TV and 1" to both sides.

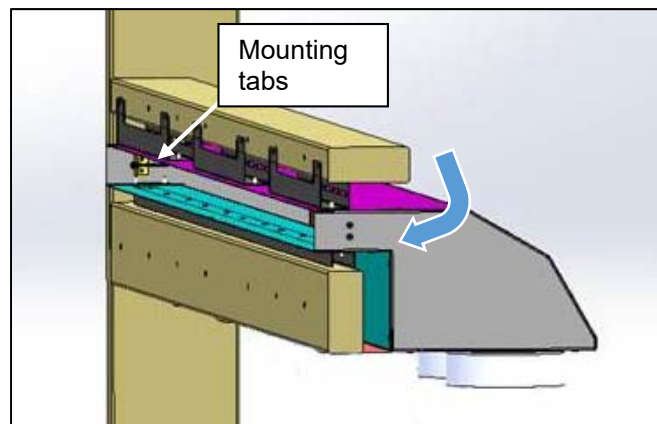


CoolSmart TV Installation (36CF, 564 25K, 3615HO)

- 1 Remove the grill from the manifold (2 screws hold it in place).
- 2 Remove the rear-mounting brackets by loosening 1/4" screws and sliding it out of the keyhole slots.



- 3 Determine the desired location of the bottom of the convection air outlet. Install a horizontal framing member at the desired height, parallel to the header. Install a second horizontal framing member 3-3/4" above the first. These two framing members will support the upper convection manifold in the following steps.
- 4 Hold the upper convection manifold with the outlet facing the back of the framing members installed in the previous step. Tilt the outlet of the manifold downward until the outlet of the manifold and the two mounting tabs can fit between to two framing members. Slide the outlet into the gap and allow it to sit level again. The two mounting tabs will support the manifold.

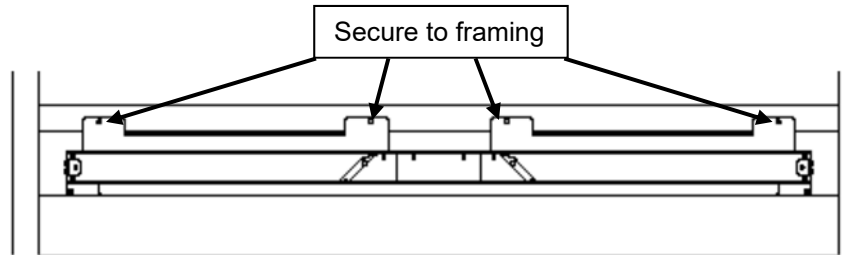


CoolSmart TV

PB 36CF, 564 25K, 3615HO

(sku# 98900778)

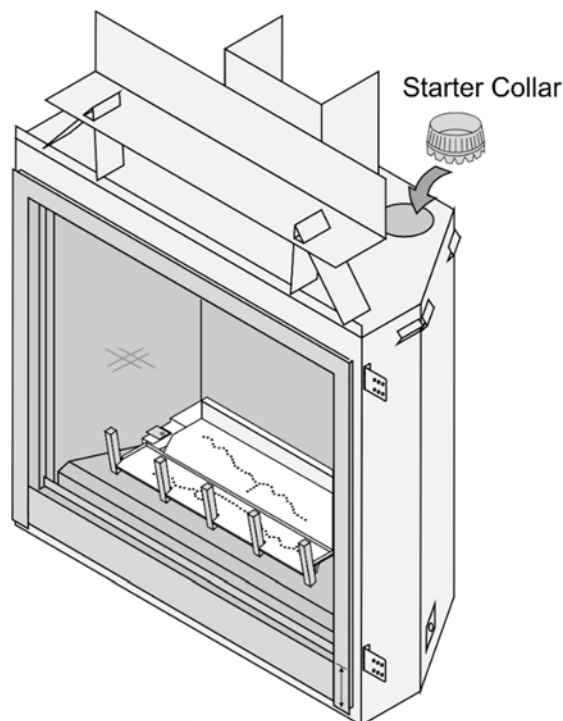
- 5 Secure the manifold to the upper framing using screws (not included).



- 6 Re-attach the two rear mounting brackets (removed in step 6) to the bottom of the convection manifold. Leave the screws loose so the brackets can be positioned to the back of the chase. Secure the brackets to the chase using screws (not included). Tighten the screws securing the brackets to the manifold.



- 7 Insert a starter collar into each of the (2) holes that were uncovered in the previous step and bend the tabs to secure the starter collar to the fireplace. Seal the joints with silicone caulk or aluminum (U.L. 181A-P) tape.



Use silicone to seal the starter collar to the top of the fireplace.



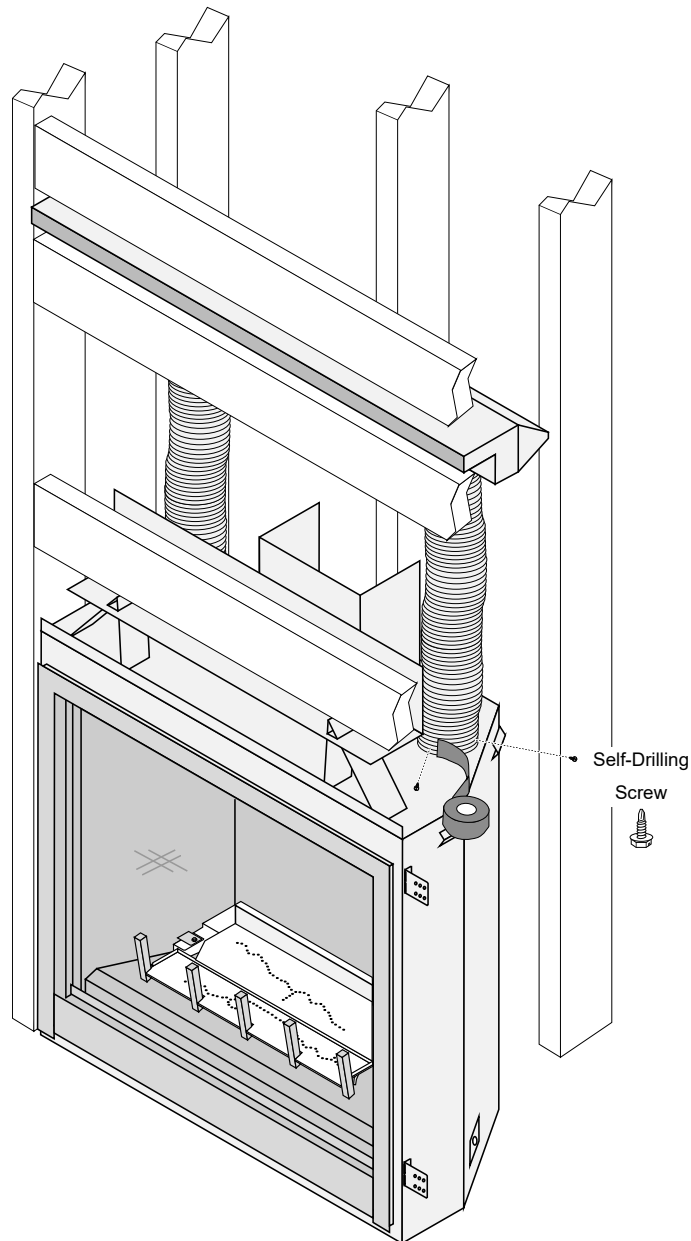
Bend the tabs on the bottom of the starter collar up to lock it in place.

CoolSmart TV

PB 36CF, 564 25K, 3615HO

(sku# 98900778)

- 8 Stretch the included flex to its maximum length. Measure the distance between the starter collars on the fireplace and the inlets on the convection manifold. Cut the flex to the appropriate length and install between the fireplace and the manifold. Secure using (3) screws at every connection and seal the joints with silicone caulk or aluminum (U.L. 181A-P) tape.



- 9 Cover the face of the fireplace and the outlet of the manifold to ensure no construction debris or sheetrock dust enters the unit.
- 10 Once all finish work is complete around the outlet of the manifold, install the outlet grill assembly using the two included screws (one at each end). The grill assembly will overlap finish material up to 1-1/2" thick. See fireplace installation manual for finishing details.

NOTE: The manifold opening protrudes 7/16" (12mm) proud of the framing. The wall may be finished to the opening if you do not wish to use the grill trim.