



Compatibility

- 864 Fireplaces (2018 or later) with EmberBed Feature
- ProBuilder 42 CleanFace Fireplace

ProBuilder 42 CleanFace Installation Details

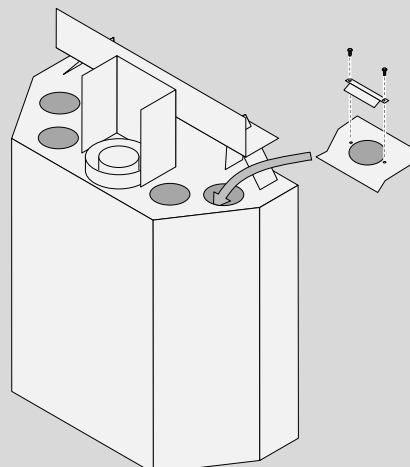
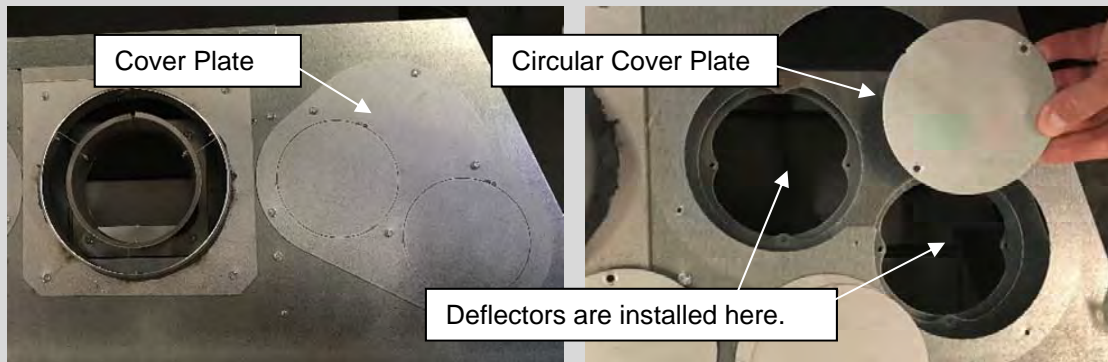
All installation information (framing, clearances, etc.) for the ProBuilder 42 CleanFace fireplace is included in the fireplace installation manual.

Packing List

- Convection Manifold (with grill and mounting brackets pre-attached)
- (4) 5" Diameter Aluminum Flex Ducts
- (4) Starter Collars
- (4) ProBuilder 42 CF Convection Air Deflectors (**SEE BELOW**)
- (24) Self-Drilling Tek Screws
- (2) Extended Support Brackets

Convection Air Deflector Installation - ProBuilder 42 CF ONLY

The 4 deflectors must be installed prior to attaching the CoolSmart kit. See the ProBuilder 42 Installation Manual for complete details. Remove the cover plates from the top of the fireplace to access the convection channel. Remove the circular cover plates on the convection channel and attach the deflectors using the same screws.



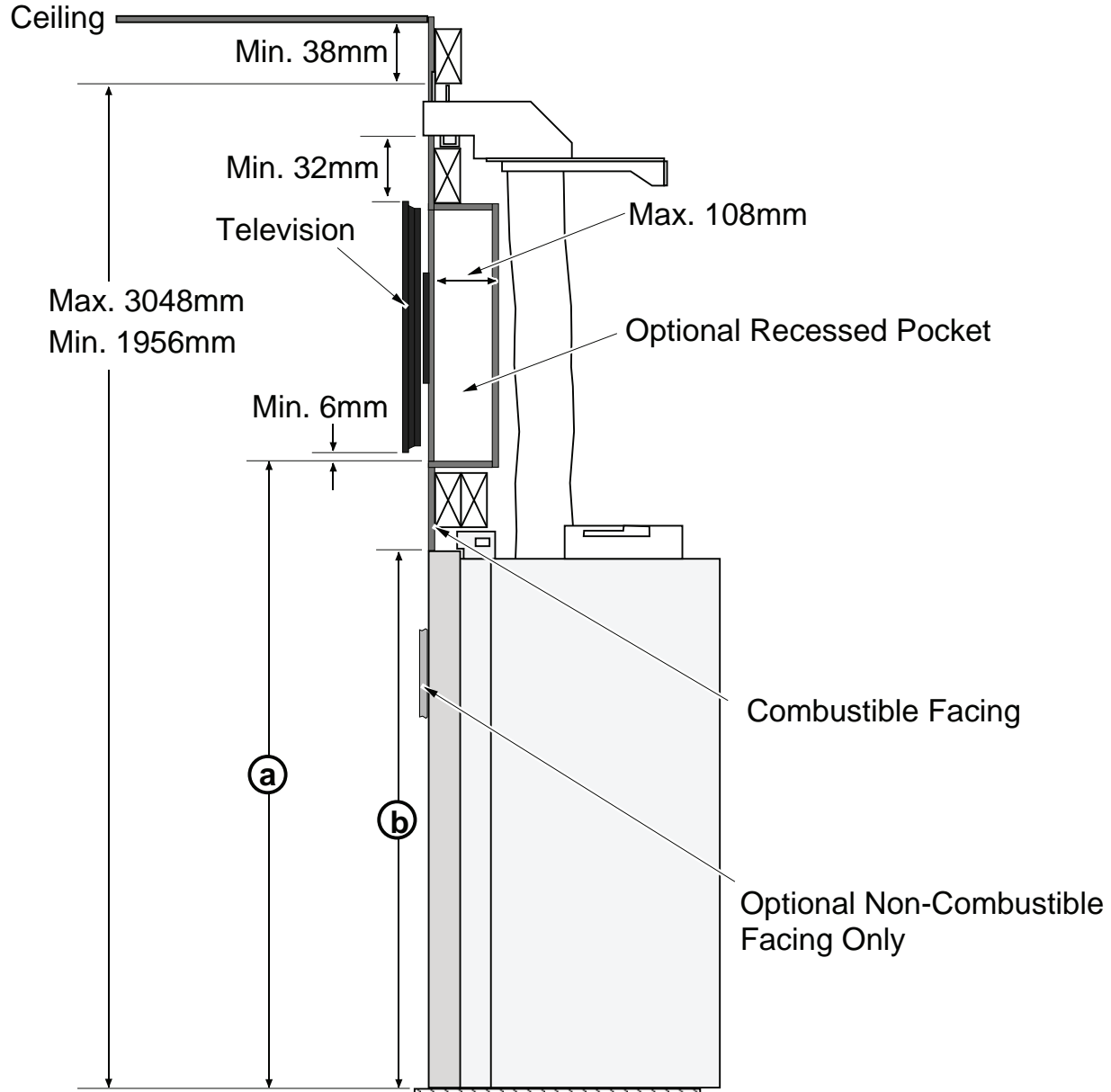
Note how the deflectors points downward to the rear.



864 Installation Overview

The CoolSmart system redirects the convective heat of the fireplace from the front of the unit, just above the glass, to a location higher on the wall. The use of this kit allows for reduced clearance to combustibles and accommodates TV installations closer to the fireplace or in a recessed cavity above the fireplace.

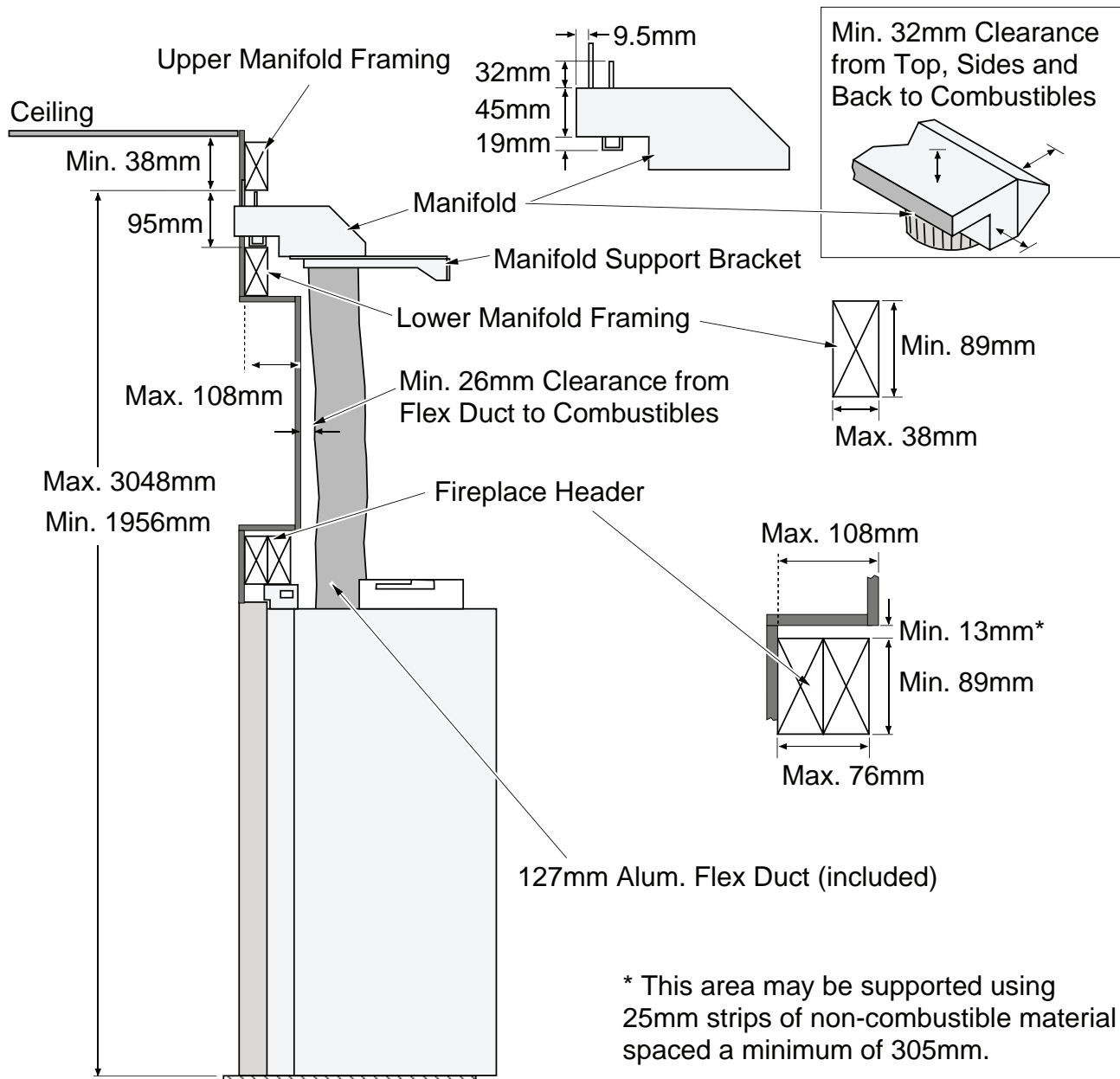
When using this kit, disregard the framing dimensions in the manual and follow the framing instructions shown on page 3. In addition, the non-combustible facing height is reduced above the fireplace (see illustration below). All other installation requirements for the fireplace must be followed as detailed in the appliance installation manual.



864 CleanFace (31K,40K)	
a	1251mm
b	997mm



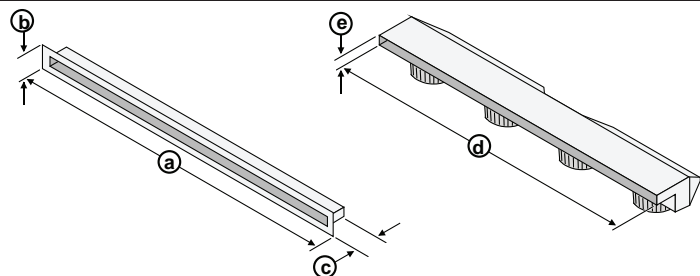
864 Installation Requirements



Grill and Manifold Dimensions

The grill may be installed over the facing to provide an aesthetic opening for the convection outlet. (2) 8-32 x 1-1/2" screws attach the trim to the upper manifold. This allows variable thickness of finish material.

Dimensions



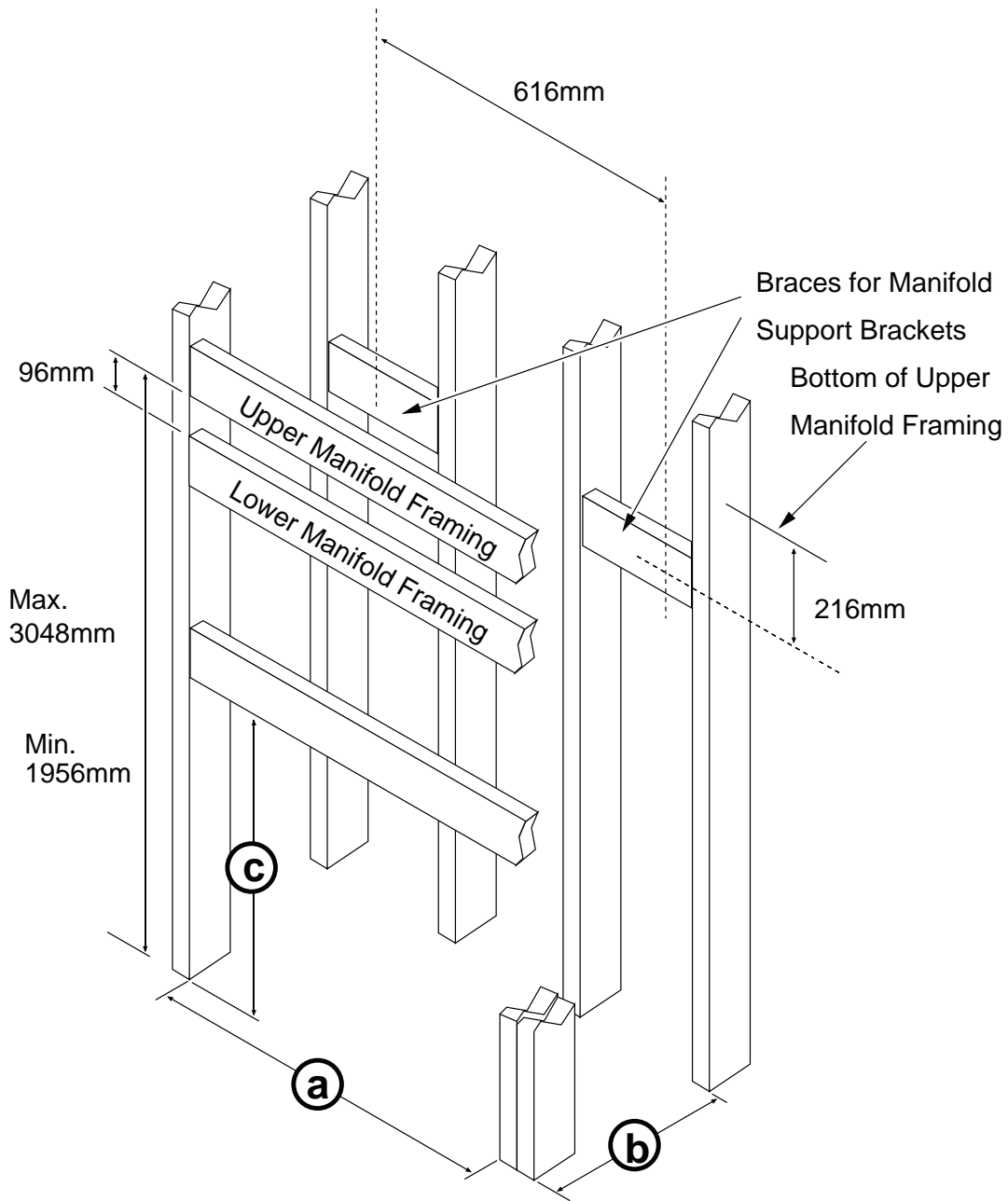
a	b	c	d	e
1067mm	73mm	32mm	1042mm	44.5mm



864, PB 42 CoolSmart TV

SKU# 98900779

864 - Framing the Chase

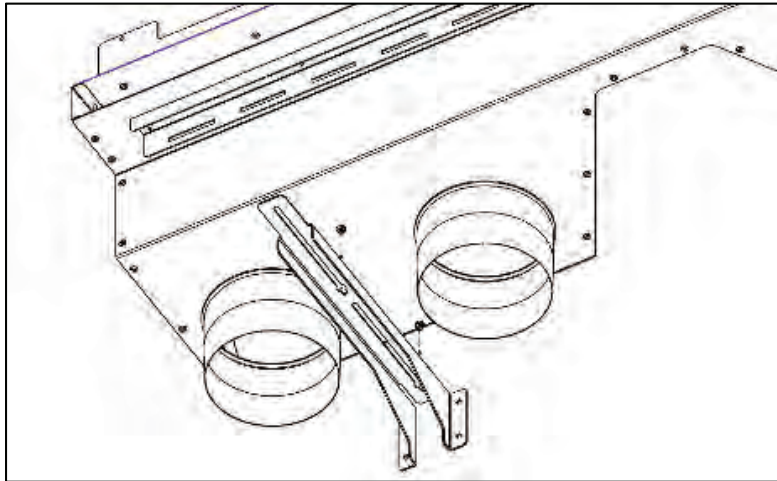


	864 CleanFace (31K,40K)
a	1092mm
b	572mm
c	1143mm

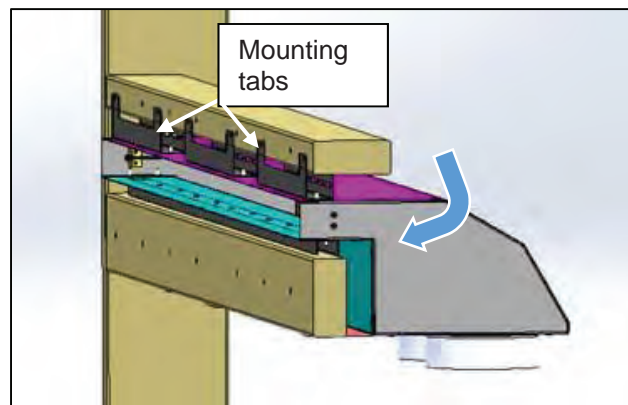


864 - Installation

- 1 Remove the grill from the manifold (2 screws hold it in place).
- 2 Remove the rear-mounting brackets by loosening 1/4" screws and sliding it out of the keyhole slots.



- 3 Determine the desired location of the bottom of the convection air outlet. Install a horizontal framing member at the desired height, parallel to the header. Install a second horizontal framing member 96mm above the first. These two framing members will support the upper convection manifold in the following steps.
- 4 Hold the upper convection manifold with the outlet facing the back of the framing members installed in the previous step. Tilt the outlet of the manifold downward until the outlet of the manifold and the two mounting tabs can fit between to two framing members. Slide the outlet into the gap and allow it to sit level again. The two mounting tabs will support the manifold.

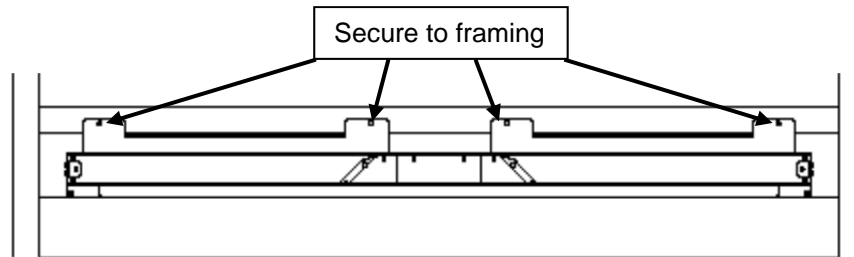




864, PB 42 CoolSmart TV

Sku# 98900779

- 5 Secure the manifold to the upper framing using screws (not included).

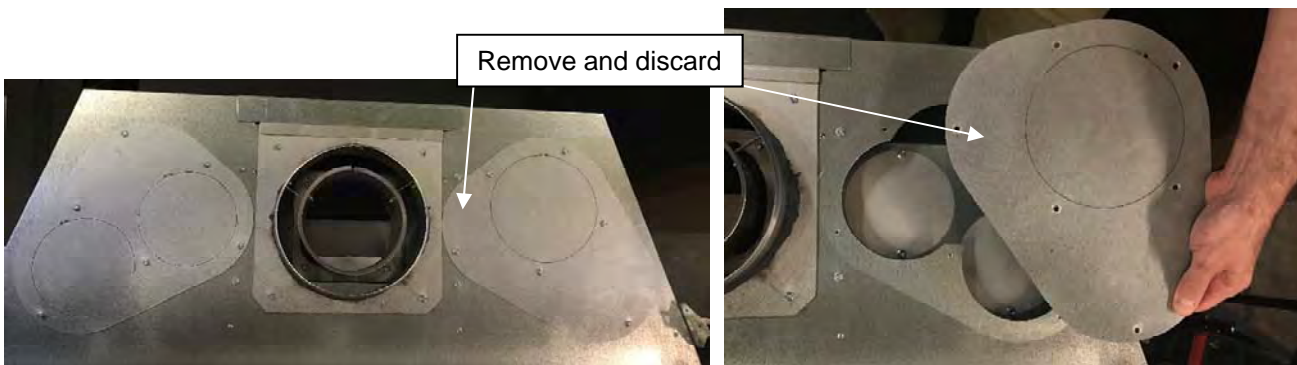


- 6 Re-attach the two rear mounting brackets (removed in step 6) to the bottom of the convection manifold. Leave the screws loose so the brackets can be positioned to the back of the chase. Secure the brackets to the chase using screws (not included). Tighten the screws securing the brackets to the manifold.

NOTE: If the standard brackets will not reach the back of the chase, replace them with the two extended brackets. If the extended brackets still do not reach, attach additional framing to the back of the chase to shorten the span.



- 7 Remove the right cover plate (with the single knockout) from the top of the fireplace and discard it.

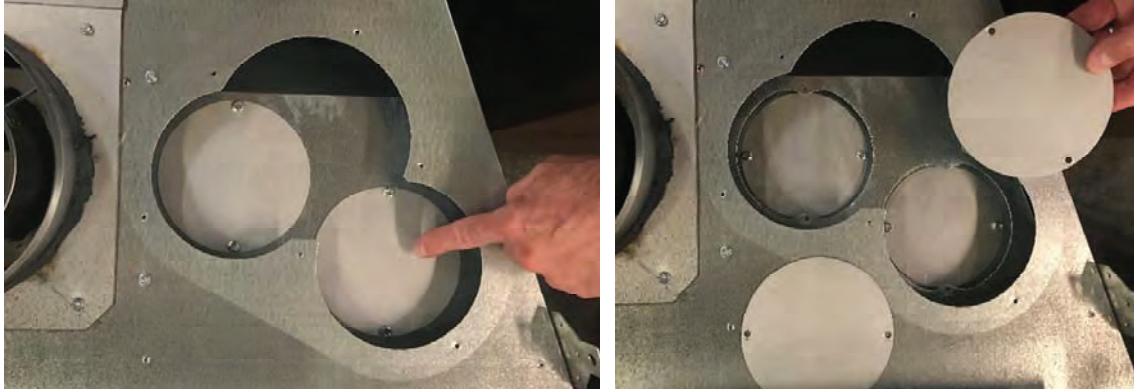




864, PB 42 CoolSmart TV

Sku# 98900779

- 8 Remove the (4) screws that secure the two circular cover plates on the next layer of the fireplace. Carefully remove the two plates.

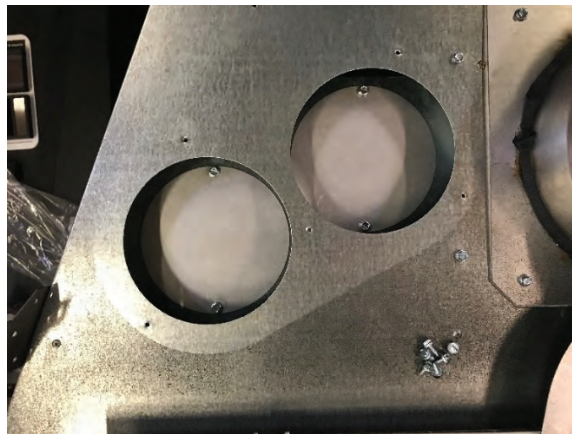


- 9 Repeat the previous step on the plates on the next layer. You may discard all (4) circular cover plates.



10. Remove the left, top layer, cover plate. Turn it over and then reinstall it in place of the right cover plate removed in step 7. Replace all screws so there are no holes left in the top of the fireplace.

NOTE: Removal of the left cover plate will expose two 5" holes in the top surface of the fireplace.

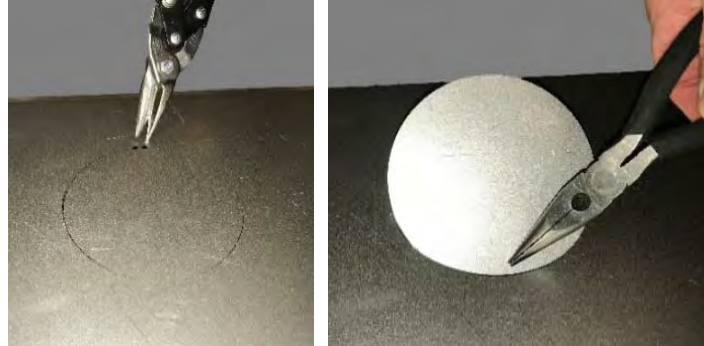




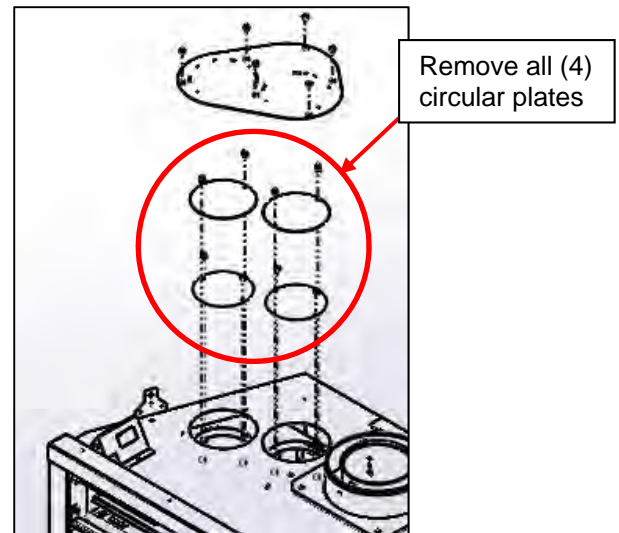
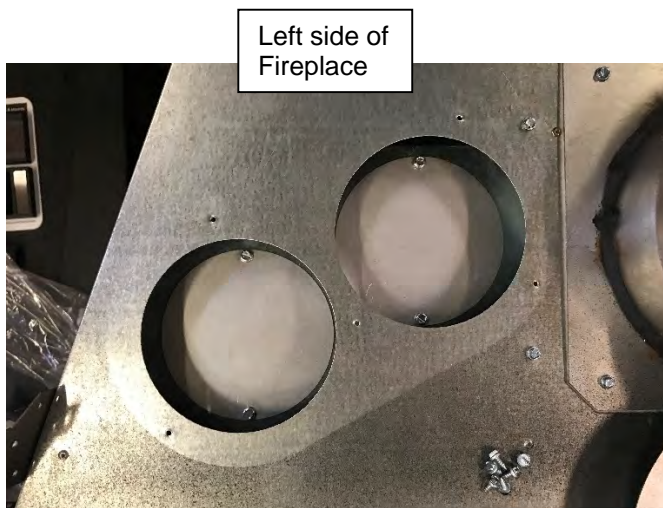
864, PB 42 CoolSmart TV

Sku# 98900779

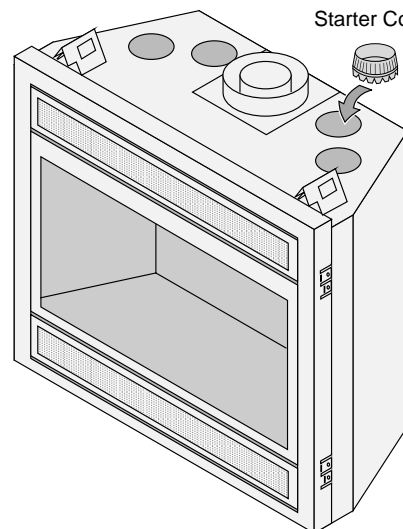
- Use snips or diagonal cutters to snip the tab on the 2 knockouts located on the cover plate (relocated to the right side in the previous step). Press on the far side away from the tap to pop the edge of the knockout up. Grab on to the knockout with pliers and bend it back and forth until the remaining tabs break free. Repeat this step with the second knockout on the cover plate. Discard the knockouts.



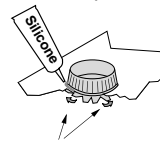
- Remove the (4) circular cover plates from the left side of the fireplace in the same manner described above. Discard the plates.



- Insert a starter collar into each of the (6) holes that were uncovered in the previous step and bend the tabs to secure the starter collar to the fireplace.. Seal the joints with silicone caulk or aluminum (U.L. 181A-P) tape



Use silicone to seal the starter collar to the top of the fireplace.



Bend the tabs on the bottom of the starter collar up to lock it in place.

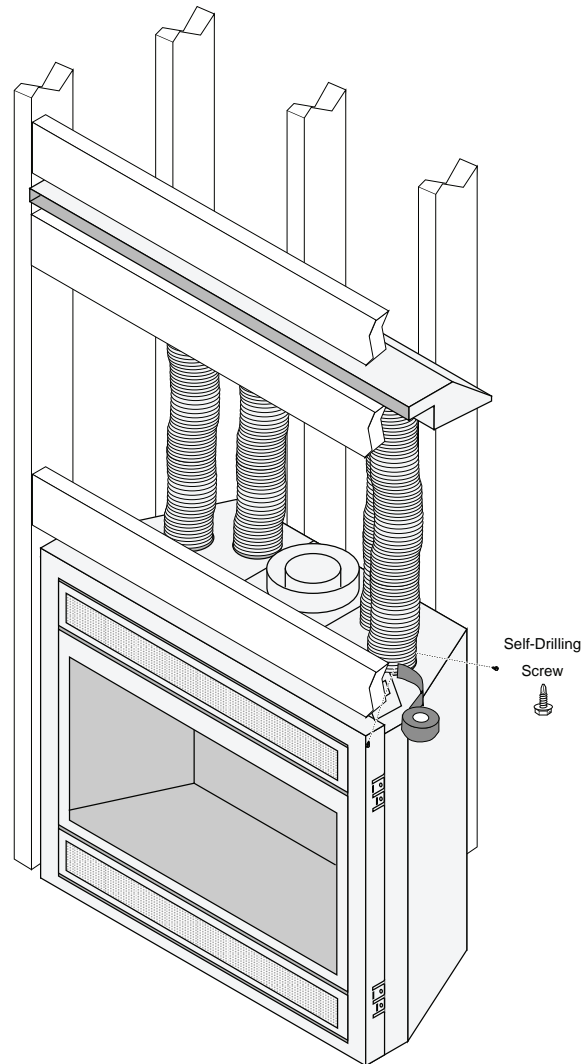


864, PB 42 CoolSmart TV

Sku# 98900779

- 13 Install the fireplace into the framed chase. See section "Installation" in the manual.

- 14 Stretch the included flex to its maximum length. Measure the distance between the starter collars on the fireplace and the inlets on the convection manifold. Cut the flex to the appropriate length and install between the fireplace and the manifold. Secure using (3) screws at every connection and seal the joints with silicone caulk or aluminum (U.L. 181A-P) tape.



- 15 Cover the face of the fireplace and the outlet of the manifold to ensure no construction debris or sheetrock dust enters the unit.
- 16 Once all finish work is complete around the outlet of the manifold, install the outlet grill assembly using the two included screws (one at each end). The grill assembly will overlap finish material up to 38mm thick. See fireplace installation manual for finishing details.

NOTE: The manifold opening protrudes 11mm proud of the framing. The wall may be finished to the opening if you do not wish to use the grill trim.