



# 564 SS & 25K Fireback Installation

96100179, 96100187, 96100192, 96100270, 96100204

## Compatibility

- 564 SS
- 564 25K
- 564 25k CF

## Packing List

- Rear Fireback
- (2) Side Firebacks
- (2) Floor Firebacks



The firebacks are fragile (especially the rear fireback). Take care when handling the firebacks.

### **WARNING**

Turn off gas to the appliance and make sure it has fully cooled prior to conducting service.

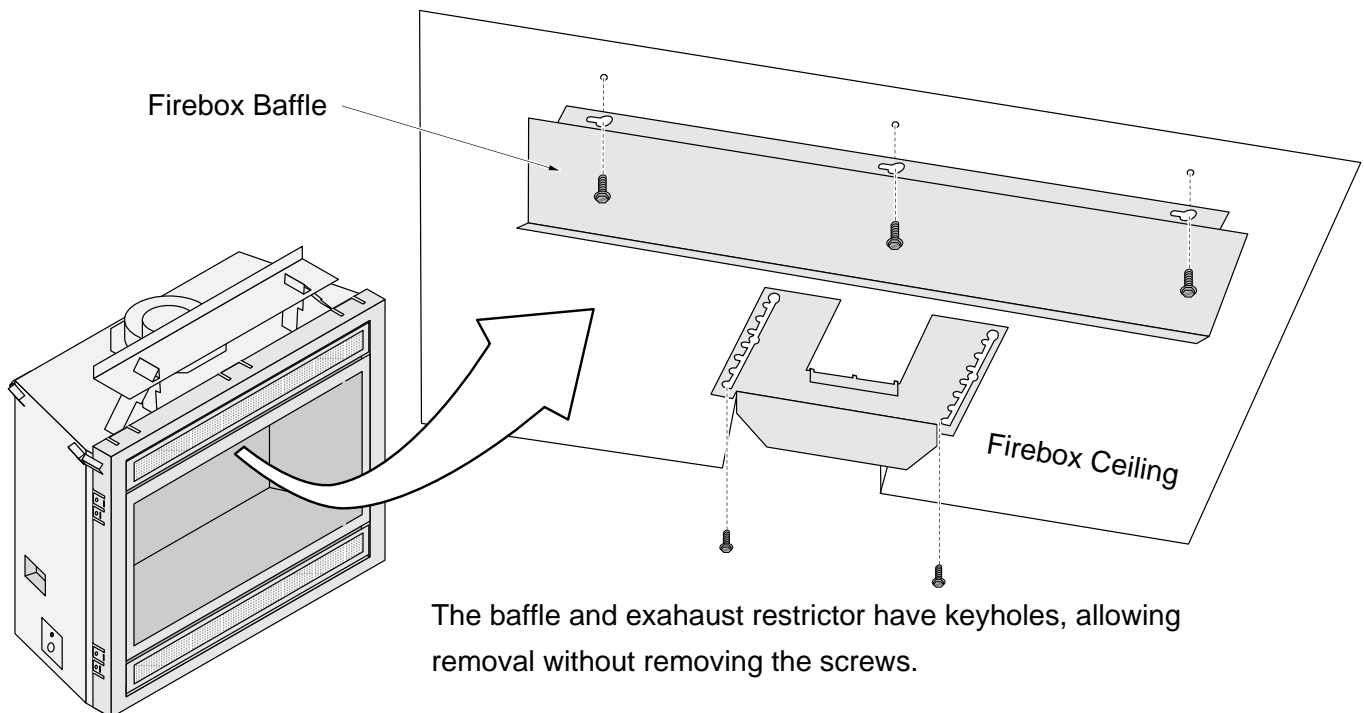
## ***564 25K (Standard or CleanFace) Installation*** (for 564 SS units see page 5)

**NOTE** On two-sided firebacks make sure to use the desired pattern.

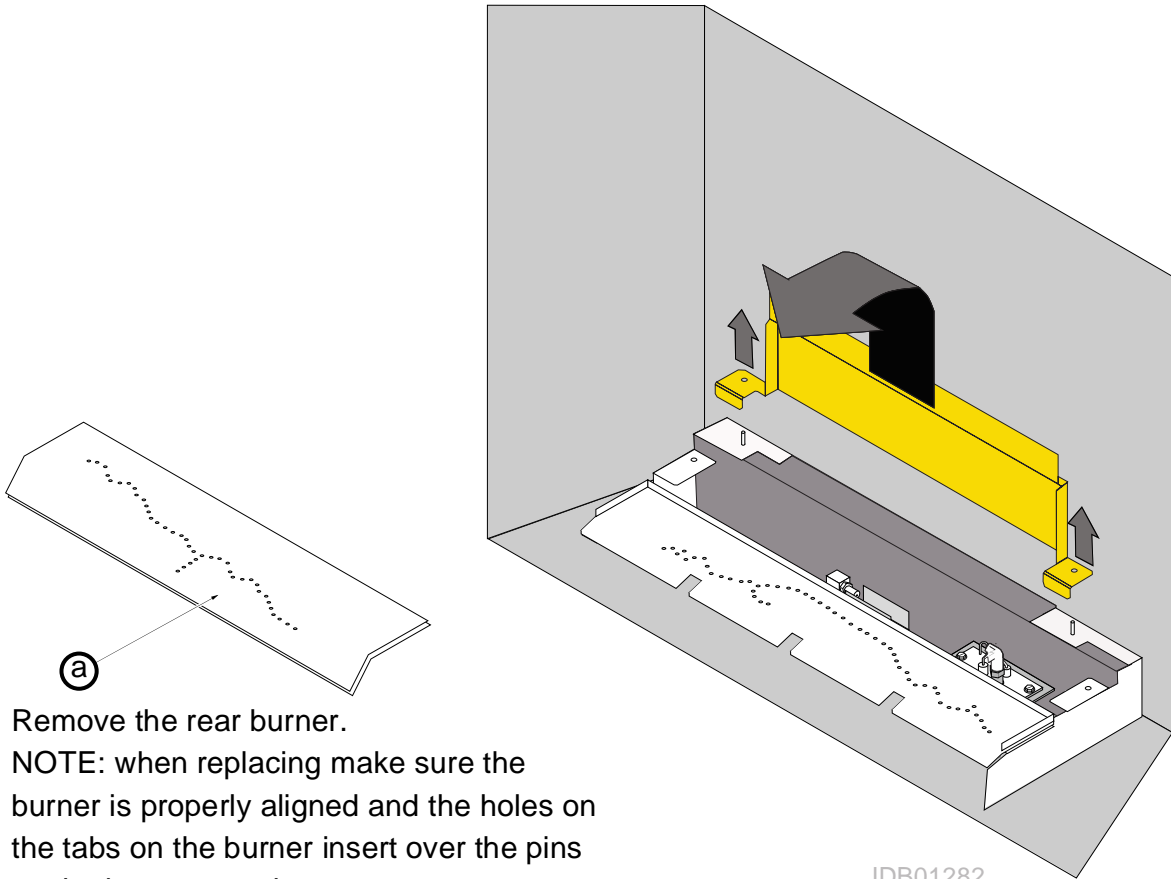
**NOTE:** If using an optional fireback install the kit prior to performing any other firebox setup.

**WARNING:** Turn off gas to the appliance and make sure it has fully cooled prior to conducting service. You may need to change the configuration of the firebox depending on which fireback option is being installed. Carefully review the information below before proceeding with firebox setup.

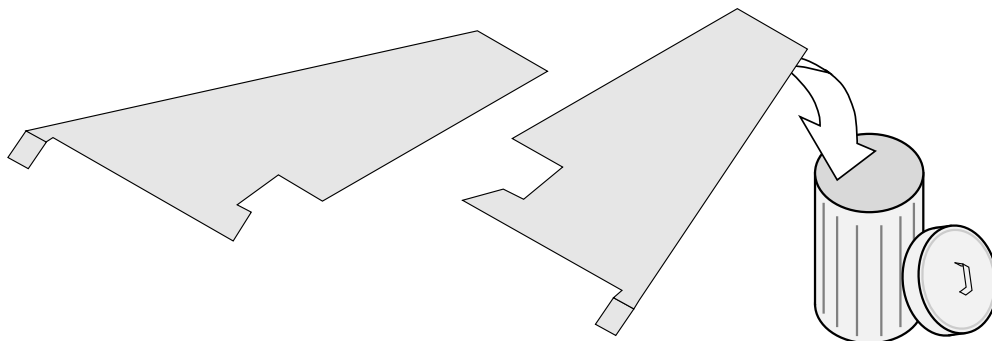
1. Remove the glass frame and logs (see the installation manual for details).
2. Firebox baffle and exhaust restrictor must be removed to install firebacks (replace once firebacks in place).



3. Rear Air Deflector (behind the rear log) Must be Removed (replace after firebacks in place)



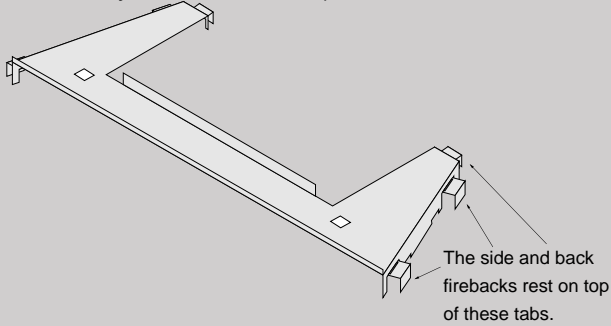
4. Remove and discard the media tray covers



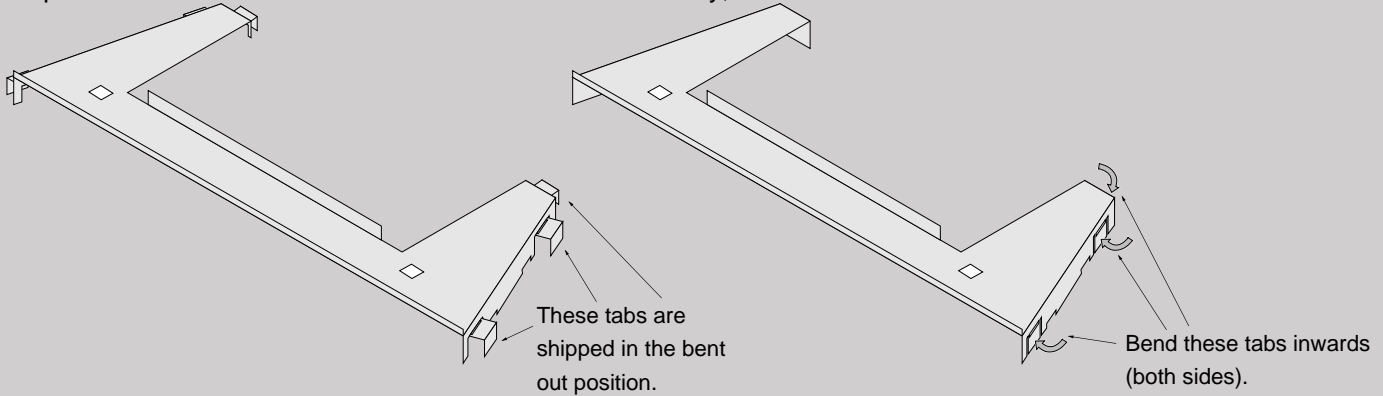


## Media Tray Configuration

**Ceramic Firebacks (except for Ledgestone):** The media tray is unchanged (the tabs on the side and back of the media tray remain bent out). The firebacks will rest on the bent out tabs of the media tray.




**Ledgestone Firebacks:** The media tray must be removed from the firebox and reconfigured for the ledgestone firebacks. With the media tray removed, bend the tabs inwards (as shown below) and reinstall the media tray into the fireplace. The firebacks will rest to the side of the media tray, on the firebox floor.



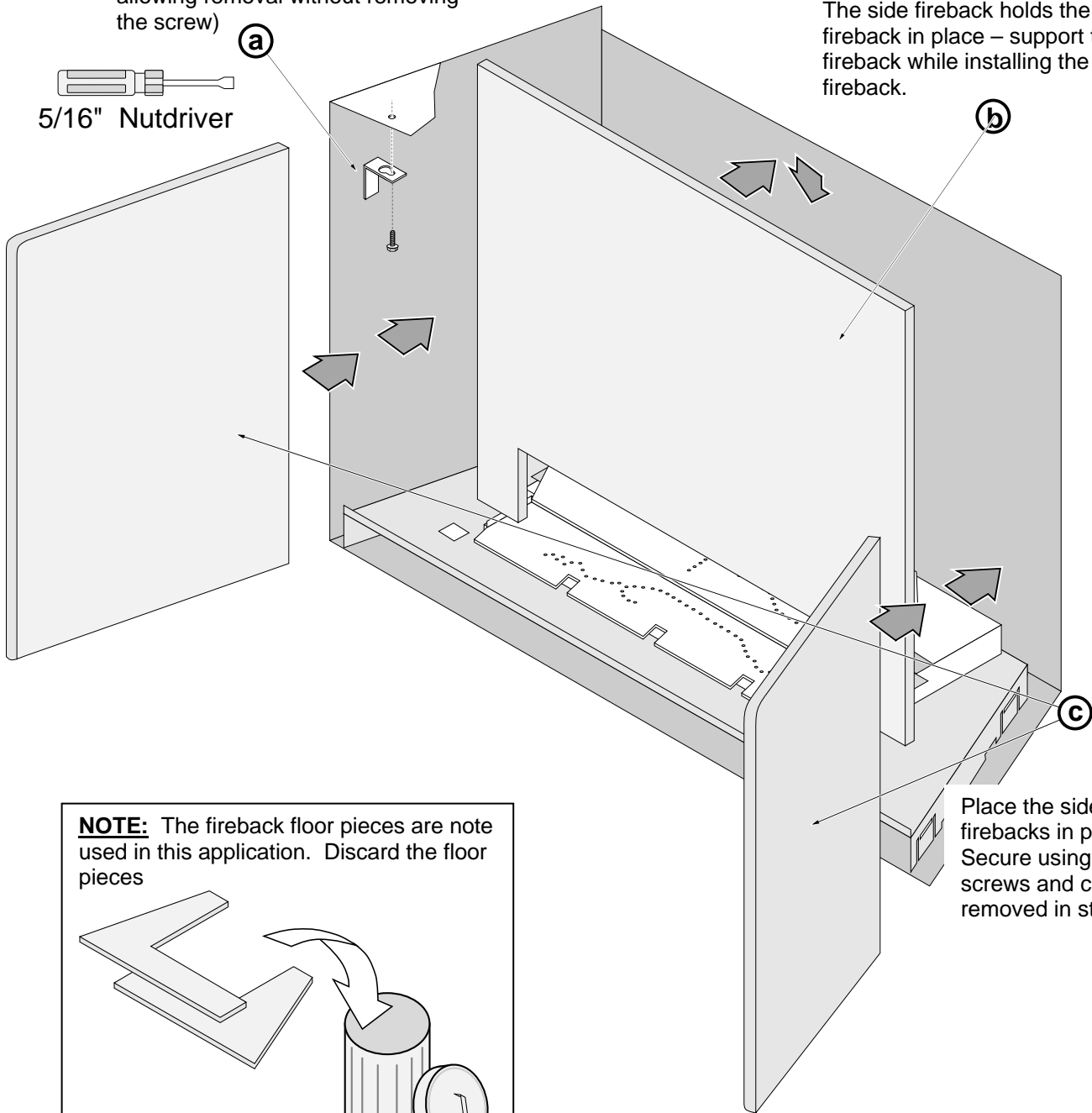
# 564 SS & 25K Fireback Installation

96100179, 96100187, 96100192, 96100270, 96100204

Remove the clips on both sides  
(these clips have key-holes,  
allowing removal without removing  
the screw)

 5/16" Nutdriver

Place the rear fireback in position.  
The side fireback holds the rear  
fireback in place – support the rear  
fireback while installing the side  
fireback.



**NOTE:** The fireback floor pieces are not used in this application. Discard the floor pieces

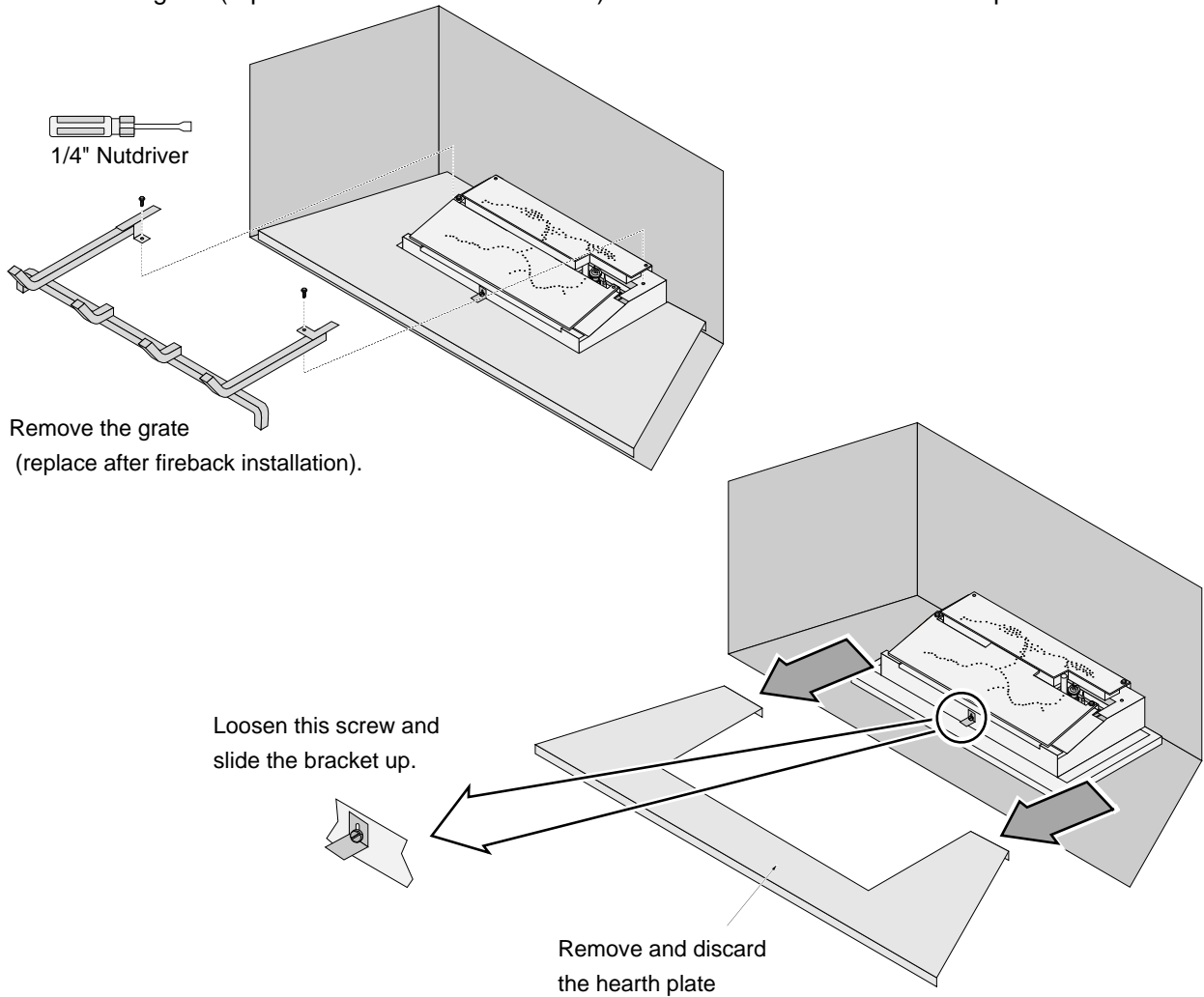
Place the side firebacks in position.  
Secure using the screws and clips removed in step "a"

5. Restore the fireplace to the correct configuration

## **564 SS Installation** (for 564 25K units see page 1)

**NOTE** On two-sided firebacks make sure to use the desired pattern.

1. Remove the glass frame and logs (see the installation manual for details).
2. Remove the grate (replace after fireback installation). Remove and discard the hearth plate.

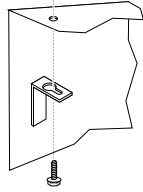


# 564 SS & 25K Fireback Installation

96100179, 96100187, 96100192, 96100270, 96100204

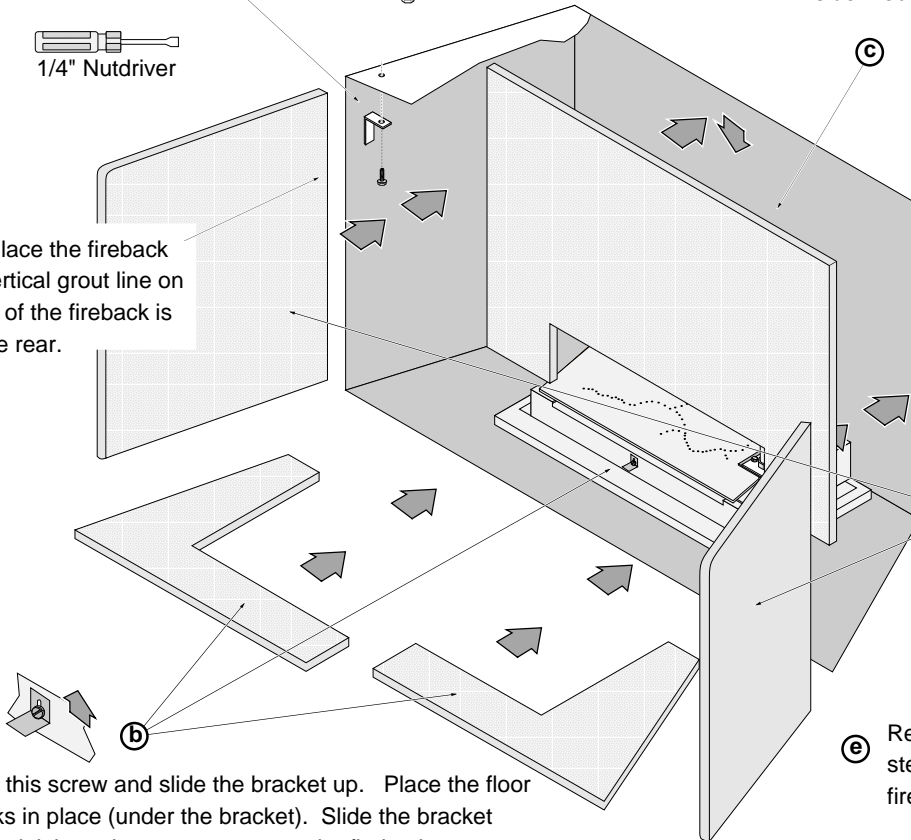
### 3. Install the firebacks following the directions below.

- a** Remove the clip located on the firebox ceiling near the front (both sides). The side fireback clip has a keyhole slot. It can be removed by loosening the screw and sliding the clip out.



Place the rear fireback in place. The side fireback holds the rear fireback in place - hold the rear fireback while installing the side fireback.

**NOTE:** Place the fireback so the vertical grout line on the edge of the fireback is facing the rear.



**d** Place the side firebacks in place.

**b** Loosen this screw and slide the bracket up. Place the floor firebacks in place (under the bracket). Slide the bracket down and tighten the screw to secure the firebacks.

**e** Replace the clips removed in step "a" to secure the side firebacks..



Due to the construction of the ceramic firebacks, you may need to re-position the firebacks to achieve correct alignment.

### 4. Restore the fireplace to the correct configuration.