



Compatibility:

- All Lopi and Avalon Wood Stoves*
- Leyden or Arbor Pellet Stove
- * Wood stoves that are shipped without legs may be placed on legs or use one of the universal pedestals:
 - Avalon Small (99200127) Avalon Large (99200129)
 - Lopi Small (99200124) Lopi Large (99200122)

Packing List:

- Outside Air Duct Assembly
- Hood (includes rodent screen)
- Flashing
- 3" Duct (4' long)
- Leyden / Arbor Start Collar
- Cover Plate
- (2) Hose Clamps
- (2) #8 Screws
- (for securing air duct assembly to stoves with legs).
- (2) 1" Wood Screws, (2) 1-1/2" Wood Screws, (2) Drywall Anchors (for securing the hood and flashing)

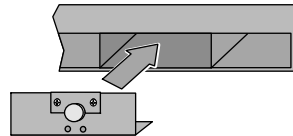
Cover Plate

When using outside air with wood stoves the cover plate may be required to insure combustion air is drawn from below. See the table and instructions below for details.

MODEL	COVER PLATE DETAILS
Avalon Spokane 1250	Cover Plate Not Required
Avalon Spokane 1750	Cover Plate Not Required
Avalon Arbor	Cover Plate Not Required
Avalon Pendleton	See "Pendleton Cover Plate" Below
Avalon Rainier	See "Cover Plate Bridge" Below
Avalon Olympic	See "Cover Plate Bridge" Below

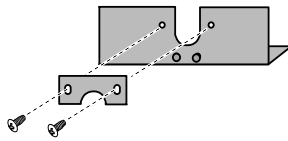
MODEL	COVER PLATE DETAILS
Lopi Republic 1250	Cover Plate Not Required
Lopi Republic 1750	Cover Plate Not Required
Lopi Answer	See "Answer Cover Plate" Below
Lopi Endeavor	Cover Plate Not Required
Lopi Liberty	See "Cover Plate Bridge" Below
Lopi Leyden	Cover Plate Not Required

Pendleton Cover Plate

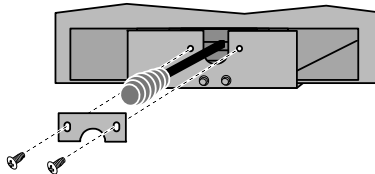


Make sure the button plug is installed in the center of the cover plate. The cover plate slides in below the ashlip and covers the air inlet channel. It has two clips which slide over the base of the stove, securing it in place.

Cover Plate Bridge

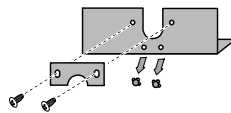


Remove the bridge from the cover plate.

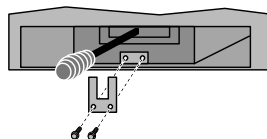


The cover plate slides in below the ashlip and covers the air inlet channel. It has two clips which slide over the base of the stove, securing it in place. Re-attach the bridge to complete cover plate installation.

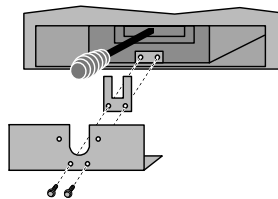
Answer Cover Plate



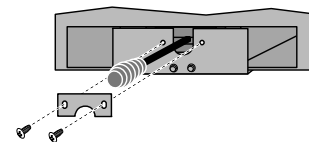
Remove the bridge and plugs from the front of the cover plate.



Remove the air control stop on the stove.



Attach the air control stop and cover plate as shown above. **HINT:** Place one screw through the cover plate and air control stop, and while holding them together, slide the components into place and tighten the screws to secure.

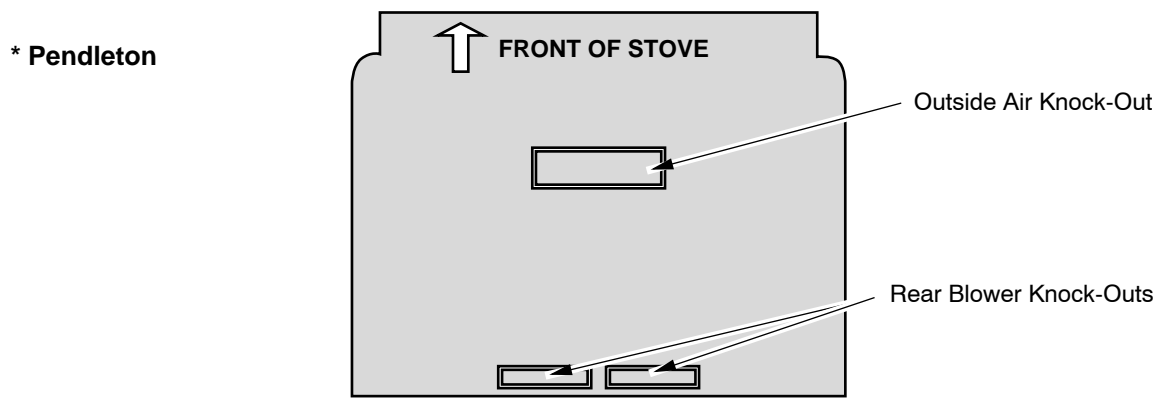
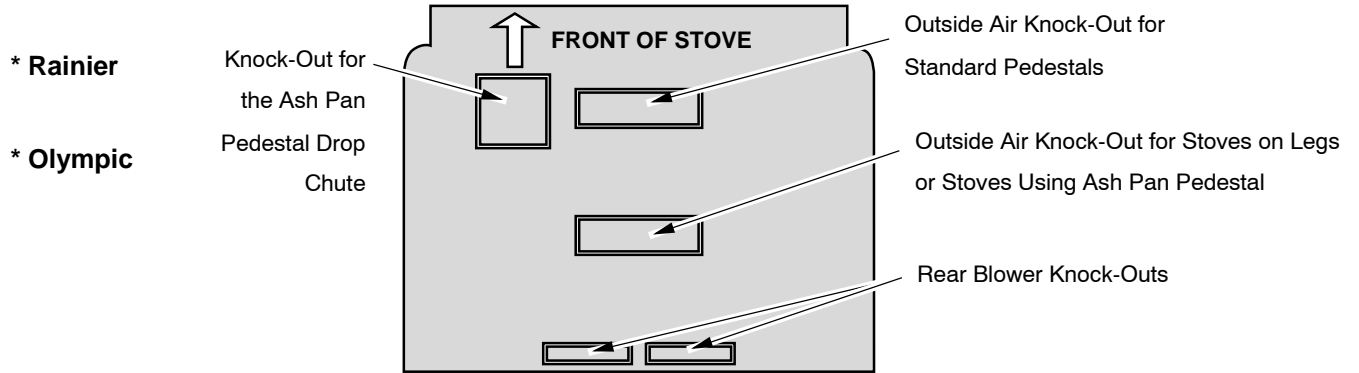


Re-attach the bridge to complete the cover plate installation.



Outside Air Knock-Outs

The following models require removal of a knock-out on the bottom of the stove.





Installation with Pedestal

(a)

Tuck insulation (included with the pedestal) under both sides of the pedestal and under the holes on the base of the pedestal. This prevents air from being drawn from below the pedestal.

(b)

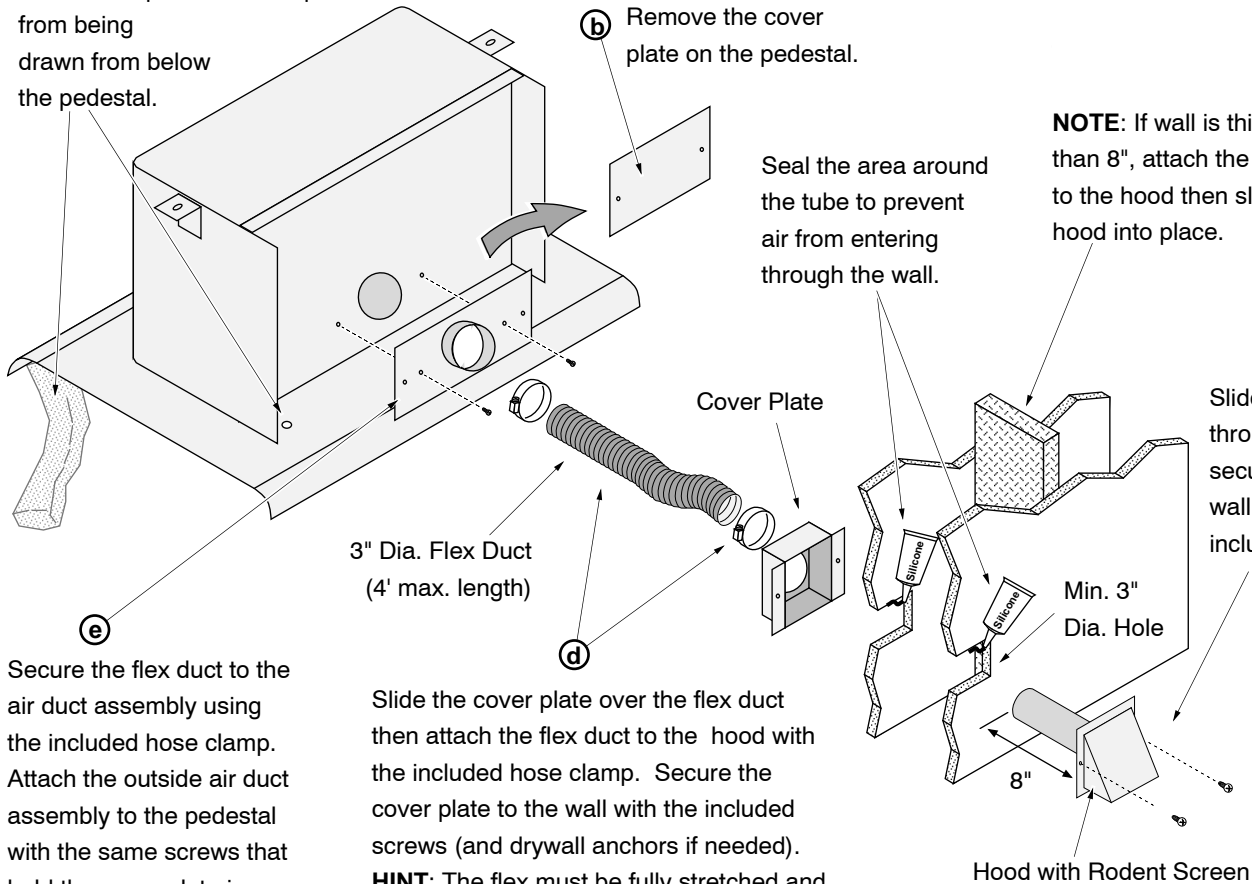
Remove the cover plate on the pedestal.

Seal the area around the tube to prevent air from entering through the wall.

NOTE: If wall is thicker than 8", attach the flex duct to the hood then slide the hood into place.

(c)

Slide the hood through the wall and secure to the outside wall with the two included screws.



(e)

Secure the flex duct to the air duct assembly using the included hose clamp. Attach the outside air duct assembly to the pedestal with the same screws that held the cover plate in place.

(d)

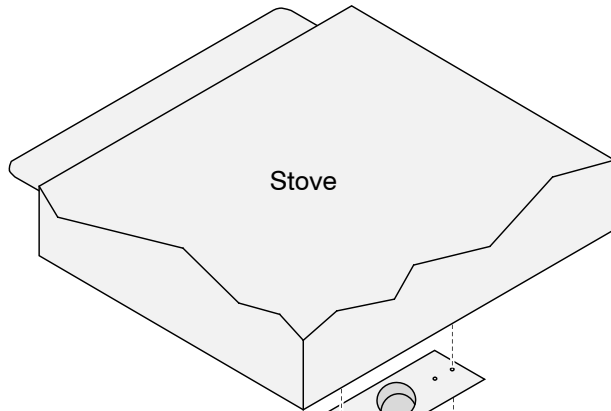
3" Dia. Flex Duct
(4' max. length)

Slide the cover plate over the flex duct then attach the flex duct to the hood with the included hose clamp. Secure the cover plate to the wall with the included screws (and drywall anchors if needed). **HINT:** The flex must be fully stretched and the ends cut square and flatted for it to fit properly. The tube on the hood and air duct may be crimped if necessary.

Hood with Rodent Screen



Installation with Legs

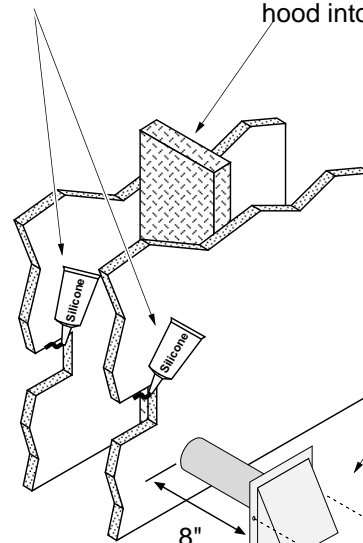


3" Dia. Flex Duct
(4' max. length)

Seal the area around the tube to prevent air from entering through the wall.

NOTE: If wall is thicker than 8", attach the flex duct to the hood then slide the hood into place.

Cover Plate



a
Slide the hood through the wall and secure to the outside wall with the two included screws.

Hood with Rodent Screen

All Stoves Except Leyden, Arbor, Cape Cod:

Arbor, Cape Cod:

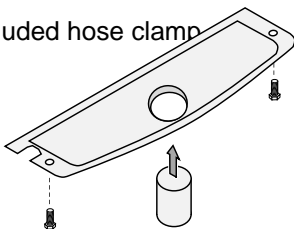
Secure flex duct to air duct assembly using the included hose clamp. Attach air duct assembly to stove with two included #8 screws.

b
Slide the cover plate over the flex duct then attach the flex duct to the hood with the included hose clamp. Secure the cover plate to the wall with the included screws (and drywall anchors if needed).

HINT: The flex must be fully stretched and the ends cut square and flattened for it to fit properly. The tube on the hood and air duct may be crimped if necessary.

Leyden/Arbor:

Remove the outside air cover from the bottom of the stove. Insert the start collar into the air cover and tap into place with a mallet. Secure the flex duct to the start collar using the included hose clamp.



Cape Cod:

Secure flex duct to air duct assembly at the rear of the stove using the included hose clamp.