



---

## Compatibility

---

- 564 HO
- 3615, 4415, and 6015

---

## Packing List

---

- Blower Box
- Duct Adapter (6" Round to 10" by 3-1/4")
- 6" Round Duct (2' to 20' Length)
- Rheostat
- Rheostat Knob
- Grill (with 2 screws)
- Wall Adapter
- 2 Junction Boxes
- Cover Plate (w/ screws)
- Floor Boot
- 4 #8 Sheet Metal Screws
- Wall Mounting Brackets (2)
- Electrical Connector (molex 3-wire)
- Starter Ring
- (4) #8 Wood Screws
- (2) Romex Cable Clamp
- Thermodisk (for 36 and 44 DV models with modulating remotes –contact Travis Ind. for details)
- Thermodisk Pass-Through Wire (864 HO only)

---

## Installation Warnings

---

**Warning:** This kit must be installed as specified in these instructions. Do not modify any component.

**Warning:** Use of any external blower other than the Travis Power Heat Duct Blower will void the warranty and listing of this appliance and may create a fire hazard.

**Note:** The power heat duct **must** be installed by a qualified service technician.

**Note:** Some building codes may require the use of firestop spacers whenever the duct passes from room to room.

**Note:** When routing ducts through a cold area (e.g. crawl space) we recommend insulating the duct with fiberglass insulation. If paper-backed insulation is used, the paper can not contact the duct.



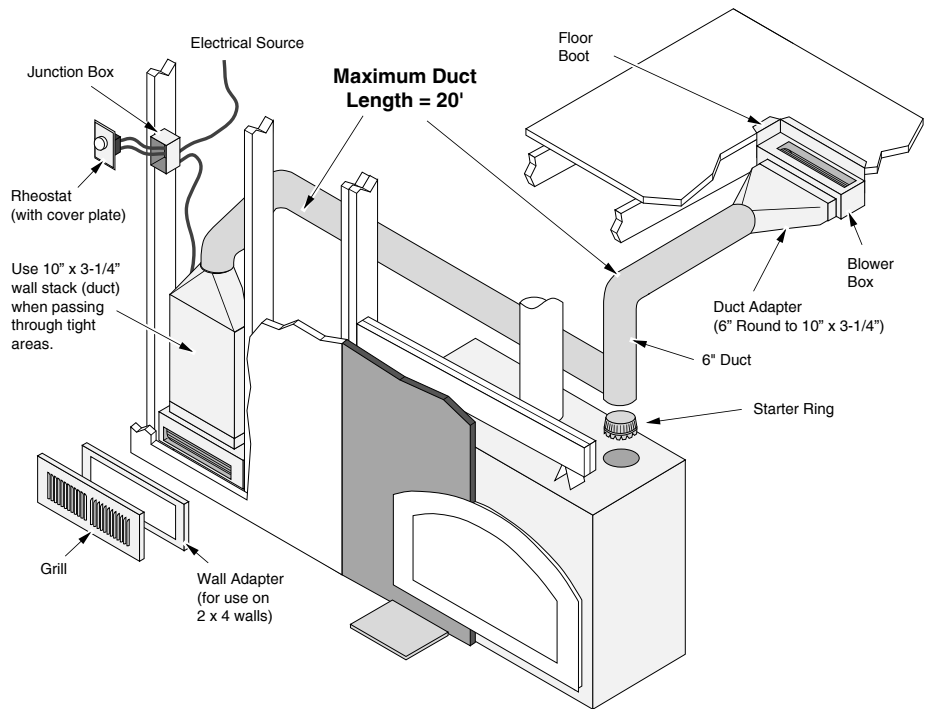
## Installation Overview

The overview below details installation concerns for the type of heater being used. Install the heat duct prior to installing drywall.

### 564 HO

3615, 4415, 6015

**NOTE:** These fireplaces require the power heat duct to be manually controlled. The homeowner must turn the blower on and off manually. The blower will remain on even if the fireplace is turned off.



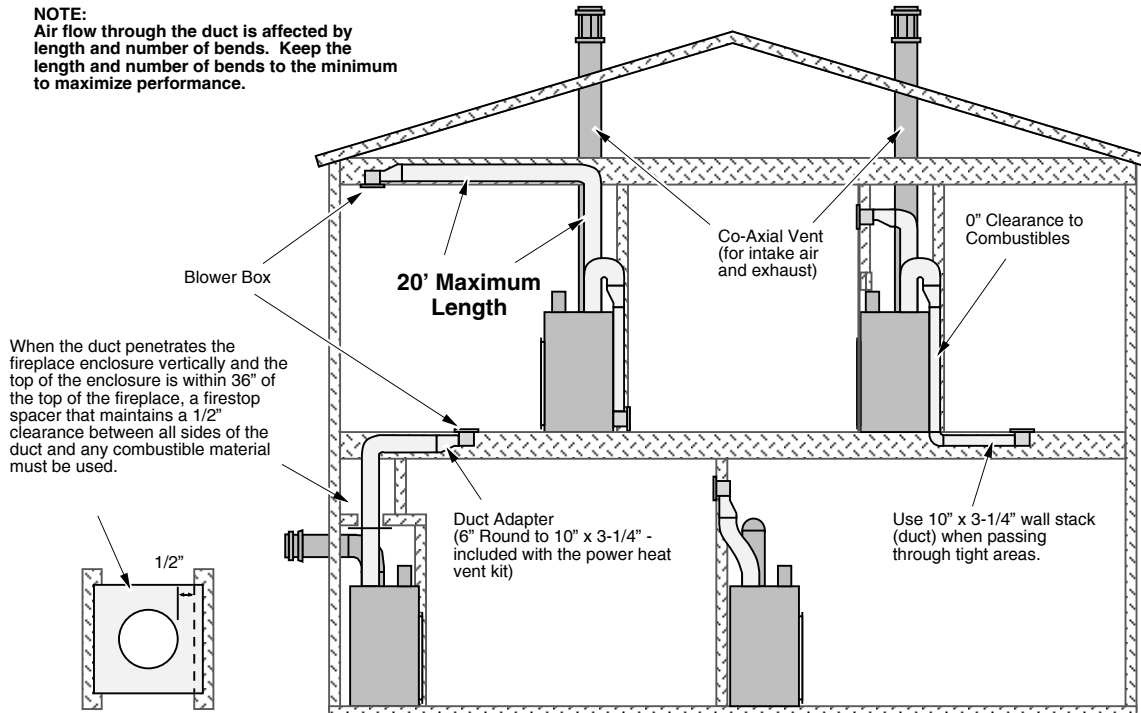


## Duct Installation

### Duct Routing

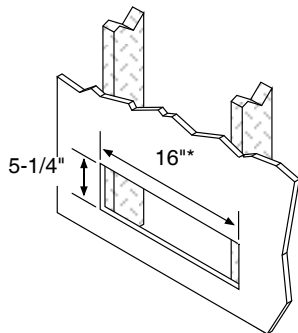
Determine the route for the heat duct using the illustration below as a guide.

**NOTE:**  
Air flow through the duct is affected by length and number of bends. Keep the length and number of bends to the minimum to maximize performance.

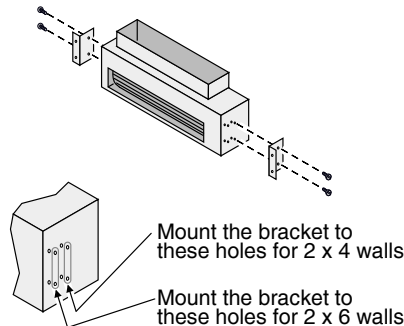


### Blower Mounted in Wall or Ceiling

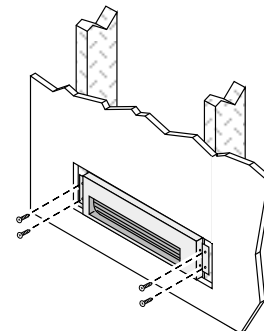
**(a)** Cut a hole between wall framing members for the blower assembly.



**(b)** Attach the wall mounting brackets to the blower box.



**(c)** Slide the blower, with wires, into the hole cut in step "a". Attach with four screws.

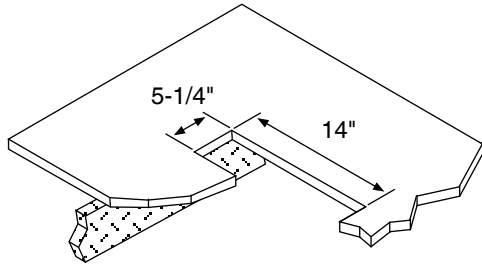


\* This blower was designed for framing on 16" centers. Construct additional framing if needed. If the blower is installed prior to the drywall only a 14" opening is required. If installed after the drywall is in place, the drywall to the sides of the blower will need to be patched.

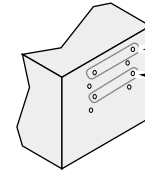
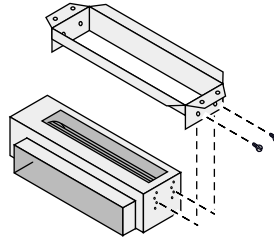


## Blower Mounted in Floor

**a** Cut a hole between floor joists for the blower box.

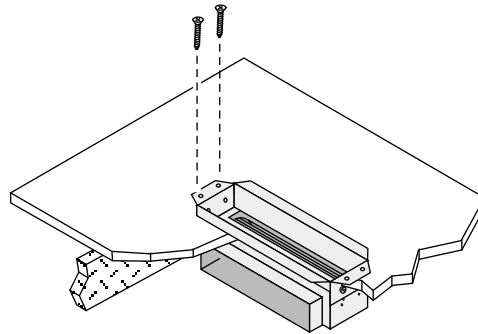


**b** Attach the floor boot to the blower box with the included screws.



The screws attach to either of these pairs of holes. Use the upper pair for thick flooring, the lower pair for thin flooring.

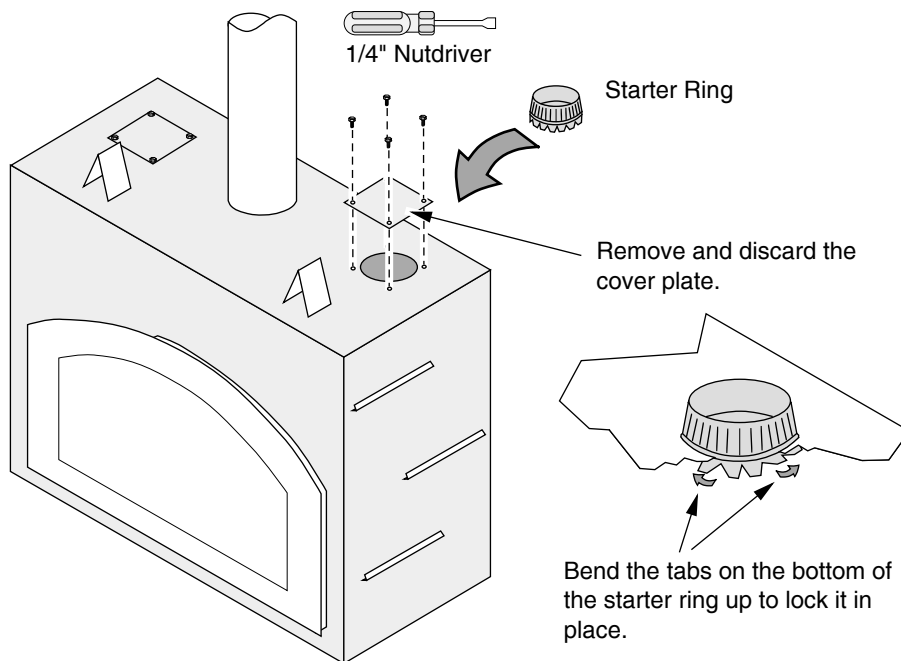
**c** Slide the blower into the hole cut in step "a". Attach with four screws.



## Attaching Duct to Fireplace

**\* REFER TO OPTIONAL EQUIPMENT SECTION OF YOUR FIREPLACE INSTALLATION MANUAL FOR DUCT INSTALLATION & COVER PLATE REMOVAL**

Attach the starter ring to the fireplace following the directions below (use the most convenient side)

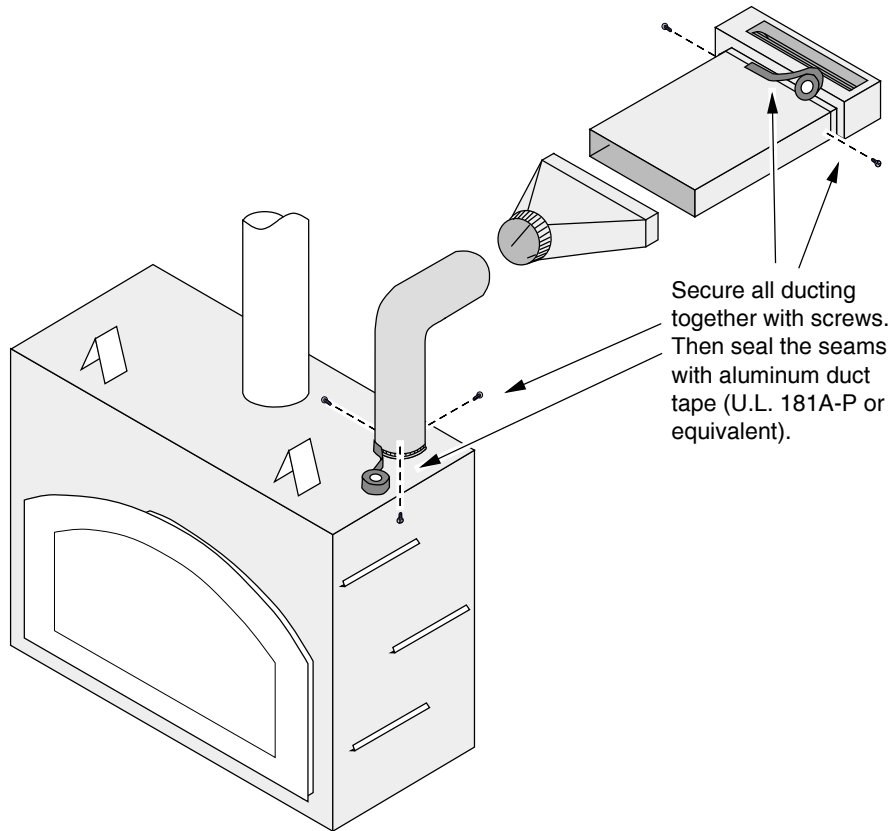




## Duct Installation

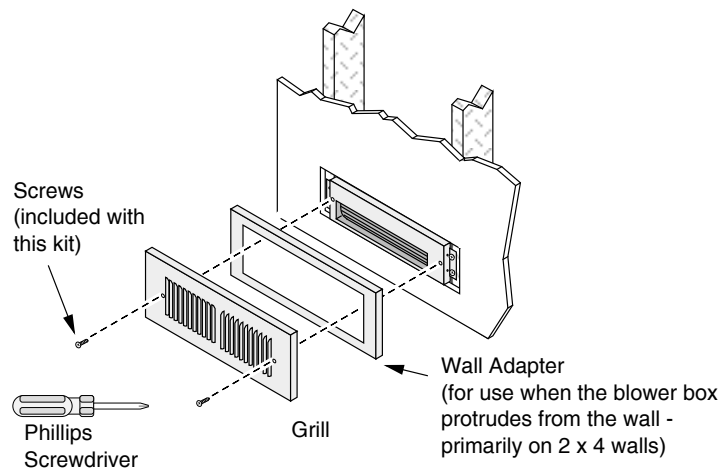
Each duct connection must be secured with three screws and aluminum duct tape (U.L. 181A-P or equivalent). Secure the duct if it is in an area where it may sag or become dislodged (use plumbing strap or other suitable means).

**NOTE: The air duct has a 0" clearance to combustibles.**



## Grill Installation

Attach the grill (and wall adapter, if necessary).

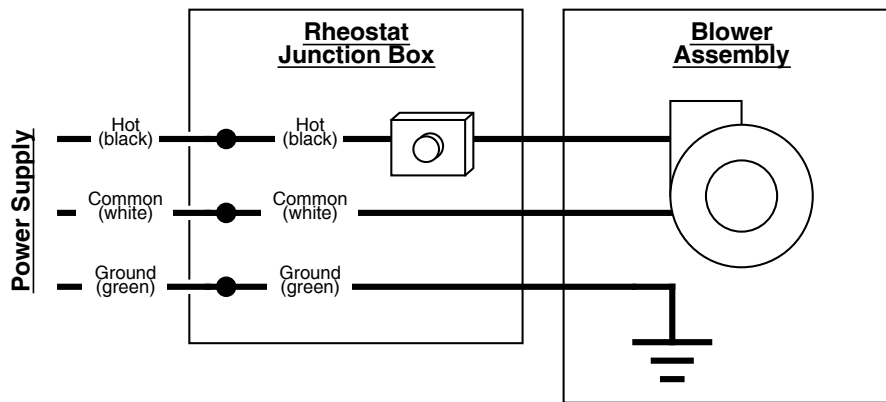




## Wiring Instructions

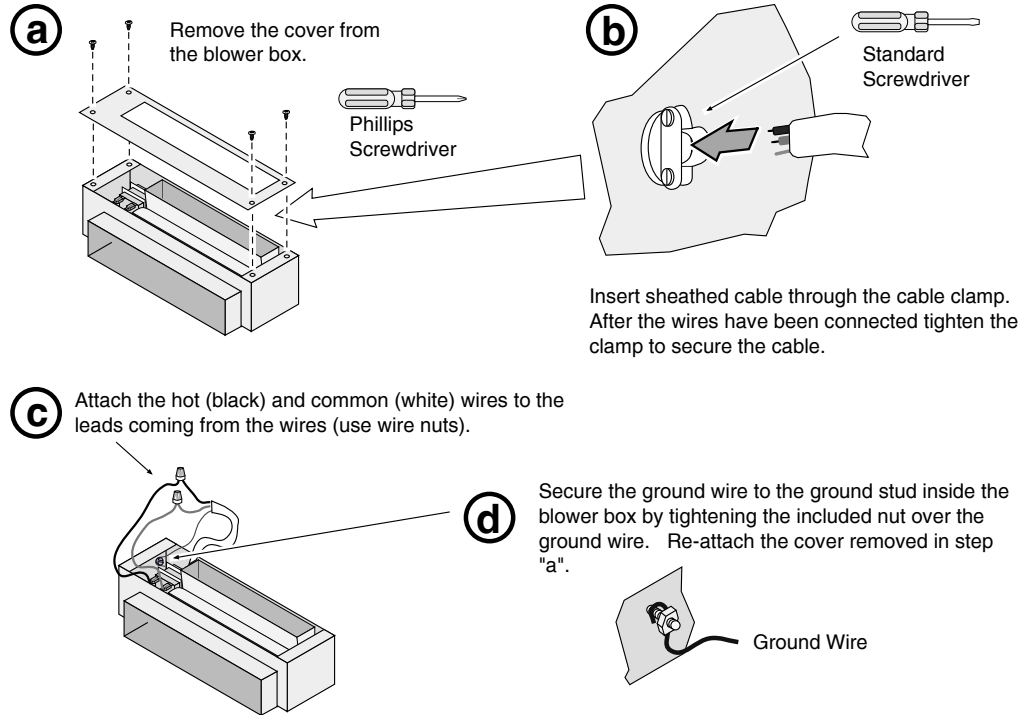
**Warning:** Make sure the fireplace electrical circuit is disabled prior to working on electrical hookup.

### Wiring Diagram – No Internal Thermodisk (564HO, 3615, 4415, 6015)



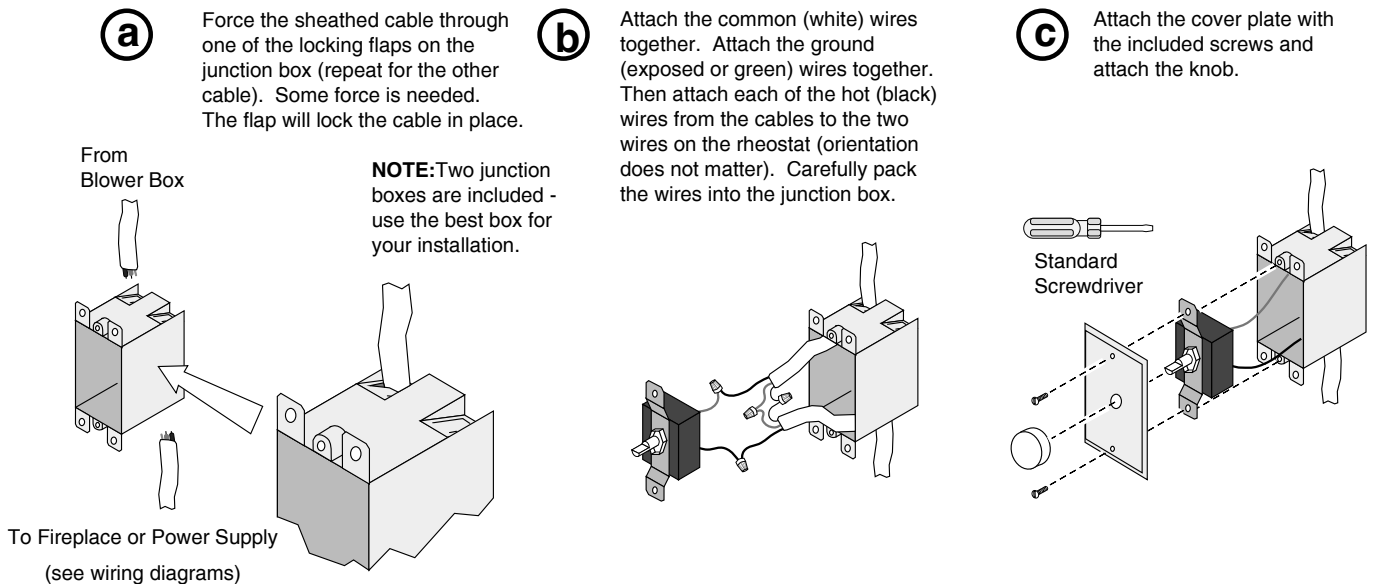


## Blower Box Wiring



## Rheostat Junction Box Wiring

**NOTE:** There are two junction boxes included (new construction and retrofit). Use the appropriate junction box for your installation.





## Operating Instructions

Allow the fireplace to reach normal operating temperature. Then use the wall-mounted rheostat to operate the blower speed.

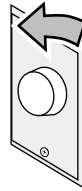
### OFF

Turn the dial all the way counter-clockwise until it clicks off.



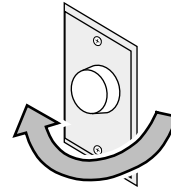
### HIGH

The high position is all the way counter-clockwise, **without** clicking off.



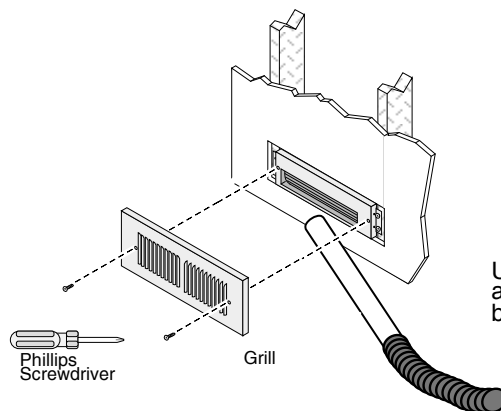
### LOW

Turn the dial all the way clockwise.



## Maintenance Instructions

Once a year the grill should be removed and the blower area cleaned. Use a vacuum to clean around the squirrel-cage blower, being careful not to damage any of the blades.



Use a vacuum cleaner to remove any debris from the power vent blower.