

Built-in Bioethanol Burners

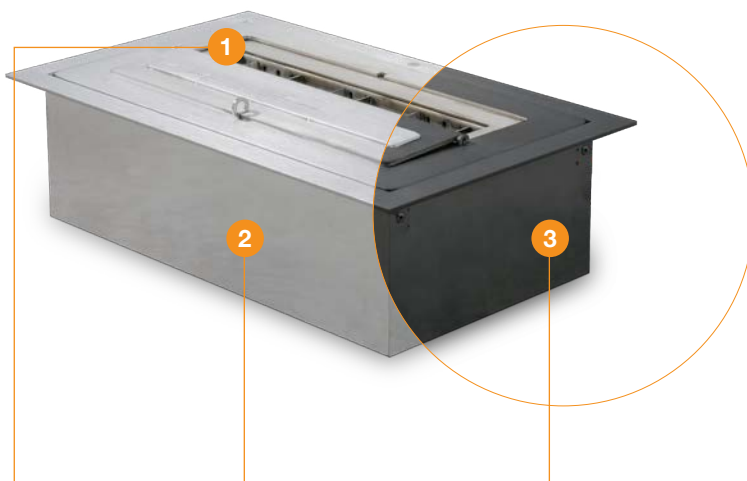
ecosmart⁺
Fire

XS Burner Series



ecosmartfire.com

XS Burner Design features



1. Flip Lid Shut Off System

The series' 'flip lid' shut-off system fits perfectly across the ignition zone to extinguish the flame and, when it is open, denies access to the separated filling point as a deterrent to filling the burner while it is in operation.

A reliable and safe extinguishing system courtesy of a special shut-off mechanism and precision measurements.

Signature Style

Clever design and compact size enable the XS340 to be incorporated into smaller or recessed spaces. Indoor or out, the choice is yours.

No Flue, No Chimney, No Vent

Fuelled by clean-burning e-NRG bioethanol our burners produce a beautiful orange flame without any smoke, soot or ash.

2. Top Tray

The Top Tray protects against heat transference and aids in the collection of accidental spillage.

To comply with EN 16647 the Top Tray must be installed before operating the burner.

The Perfect Fit

The streamlined design of the products synchronises effortlessly within award-winning architectural projects.

High Quality

Crafted from high quality, 304 grade stainless steel, EcoSmart Fire burners are built to last a lifetime.

3. Colour

Available in Stainless Steel and Black.

Easy to Clean

Our bioethanol burners can be washed in hot water (or even put in your dishwasher), a key competitive difference.

Global Compliance

All burners are UL Listed in accordance with ANSI/UL1370 in the USA, Certified by BSI in accordance with EN16647, and comply with the ACCC Safety Mandate for Australia.

Included Accessories



Jerry Can with Safety Spout & e-NRG bottle adaptor



Lighting Rod & Lighter



XL Baffles



Burner Top Tray

Optional Accessories



Black Glass Charcoal*



Plasma Fire Screen



Twin Feet Fixings

**Decorative media is not to be placed directly on top of the burner or anywhere they can interfere with the operation of the burner or the stability of flame.*

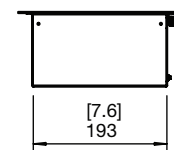
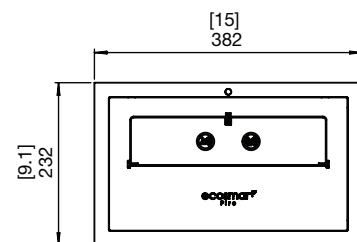
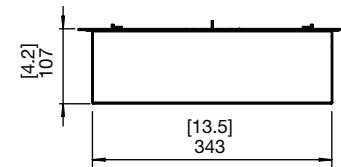
XS340 Specifications

A compact linear burner. Clever design and smaller dimensions enable XS340 to be incorporated into smaller or recessed spaces.

Burner Ventilation and Efficiency*

| Dimensions L x W x D mm/in | Fuel Capacity | Heats on Average (Indoors) | Fuel Consumption | Thermal Output Net (MAX) | Approx. Burn Time | Minimum Room Size (per burner) |
|-----------------------------------|---------------------|--|--------------------------|------------------------------------|-------------------|---|
| 382 x 232 x 107 15 x 9.1 x 4.2 | 2.5 L [0.7 Gals] | Over 20 m ² [215 ft ²] | 0.45 L/h [0.12 Gal/h] | 8.93 MJ/h 8,530 BTU/h 2.5 kW | 5 hours | 45 m ³ [1,589 ft ³] |

| | |
|----------------|--|
| Application | Indoor & Outdoor |
| Burner Colours | Stainless Steel ESF.B.XS3.WTT Black ESF.B.XS3.WTT.BL |
| Materials | Grade 304 Stainless Steel Burner, with optional Black Ceramic Coating, Grade 304 Stainless Steel Top Tray with optional Black Hi-Temp Powder-Coating |
| Approx. Weight | 5.4kg [11.9lbs] |
| Fuel Type | e-NRG Bioethanol / e-NRG.com |



*These values are indicative only and may vary depending on the model purchased, installation, and the seasonal resource used to manufacture e-NRG. Read the manual carefully before operating the burner. Physical model dimensions should be verified against cut out dimensions BEFORE installation begins to confirm tolerances align. All burners are UL Listed in accordance with ANSI/UL1370 in the USA, Certified by BSI in accordance with EN16647, and comply with the ACCC Safety Mandate for Australia (except VB).

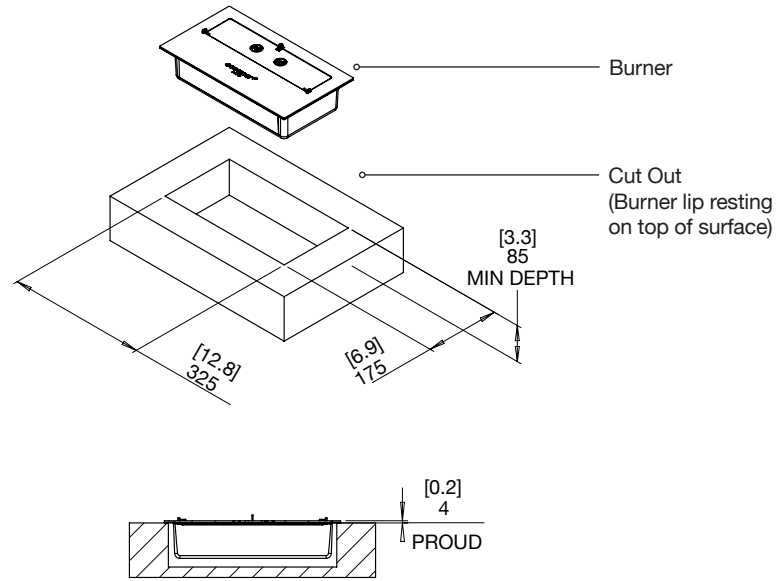
FOR MORE INFORMATION PLEASE REFERENCE THE CLEARANCE & INSTALLATION MANUAL

Disclaimer: All product specifications and data are subject to change without notice and believed to be correct at the time of publication. MAD Design Group (MDG), its affiliates, agents, and employees, and all persons acting on its or their behalf (collectively, "MAD Design Group"), disclaim any and all liability for any errors, inaccuracies or incompleteness contained herein or in any other disclosure relating to any product. MDG disclaims any and all liability arising out of the use or application of any product described herein or of any information provided herein to the maximum extent permitted by law. The product specifications do not expand or otherwise modify MDG's terms and conditions of purchase, including but not limited to the warranty expressed therein, which apply to these products. No license, express or implied, by estoppel or otherwise, to any intellectual property rights is granted by this document or by any conduct of MDG. Customers using or selling MDG products not expressly indicated for use in such applications do so entirely at their own risk and agree to fully indemnify MDG for any damages arising or resulting from such use or sale. Please contact authorised personnel from MDG to obtain written terms and conditions regarding products designed for such applications. Images are indicative only.

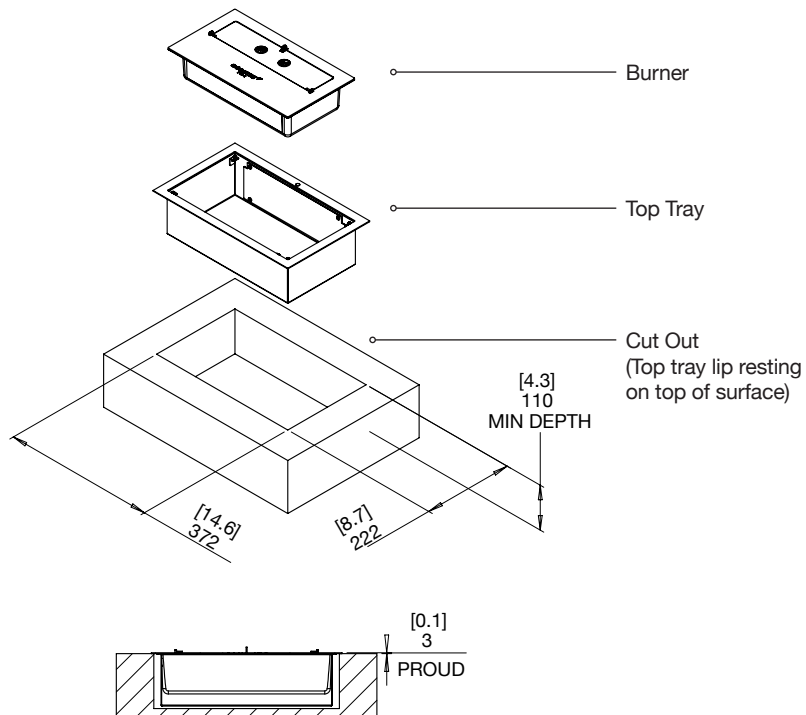
XS340 Cut-out dimensions

Physical model dimensions should be verified against cut out dimensions BEFORE installation begins to confirm tolerances align.

Burner without Top Tray



Burner with Top Tray



FOR MORE INFORMATION PLEASE REFERENCE THE CLEARANCE & INSTALLATION MANUAL

Disclaimer: All product specifications and data are subject to change without notice and believed to be correct at the time of publication. MAD Design Group (MDG), its affiliates, agents, and employees, and all persons acting on its or their behalf (collectively, "MAD Design Group"), disclaim any and all liability for any errors, inaccuracies or incompleteness contained herein or in any other disclosure relating to any product. MDG disclaims any and all liability arising out of the use or application of any product described herein or of any information provided herein to the maximum extent permitted by law. The product specifications do not expand or otherwise modify MDG's terms and conditions of purchase, including but not limited to the warranty expressed therein, which apply to these products. No license, express or implied, by estoppel or otherwise, to any intellectual property rights is granted by this document or by any conduct of MDG. Customers using or selling MDG products not expressly indicated for use in such applications do so entirely at their own risk and agree to fully indemnify MDG for any damages arising or resulting from such use or sale. Please contact authorised personnel from MDG to obtain written terms and conditions regarding products designed for such applications. Images are indicative only.