

INSTALLATION AND USER MANUAL

THE ELEMENTAL SUSPENDED FIRE

Bioethanol



We would like to thank you for your purchase of an Aurora Suspended Fire. The care and craftsmanship we put into each fire will give you trouble free heating for many years to come. 🔥

CONTENTS

1. PLANNING

| | |
|---------------------------|---|
| INTRODUCTION | 6 |
| CLEARANCE TO COMBUSTIBLES | 7 |

2. DIMENSIONS & SPECIFICATIONS

| | |
|----------------------------------|----|
| FEATURES, WEIGHTS AND DIMENSIONS | 10 |
|----------------------------------|----|

3. INSTALLATION

| | |
|------------------------|----|
| SUSPENSION BRACKET | 14 |
| LOWER FLUE | 16 |
| FIREBOX | 18 |
| BIOETHANOL FIREPLACE | 19 |
| FOR INSTALLERS | 20 |
| INSTALLATION CHECKLIST | 21 |

1. PLANNING



Aurora


INTRODUCTION

For your safety, ensure you have read the operation guidelines prior to use. Your fire must be installed by a qualified professional. Refer to our website for assistance finding an installer in your area:

aurorasuspendedfires.com/planning-custom-er-support/faq/

INSTALLATION PROCESS

1. Choose the position of firebox and flue ensuring that you follow the clearances described within this section.
2. Install the suspension bracket
3. Install the lower flue
4. Engage the firebox
5. Fit the blanking plate to cover the opening in the flue
6. Fit the washers and nuts to secure the firebox

 *Mixing of appliance or flue-system components from different sources or modifying the dimensional specification of components may result in hazardous conditions. Where such action is considered, Aurora fires should be consulted in the first instance.*

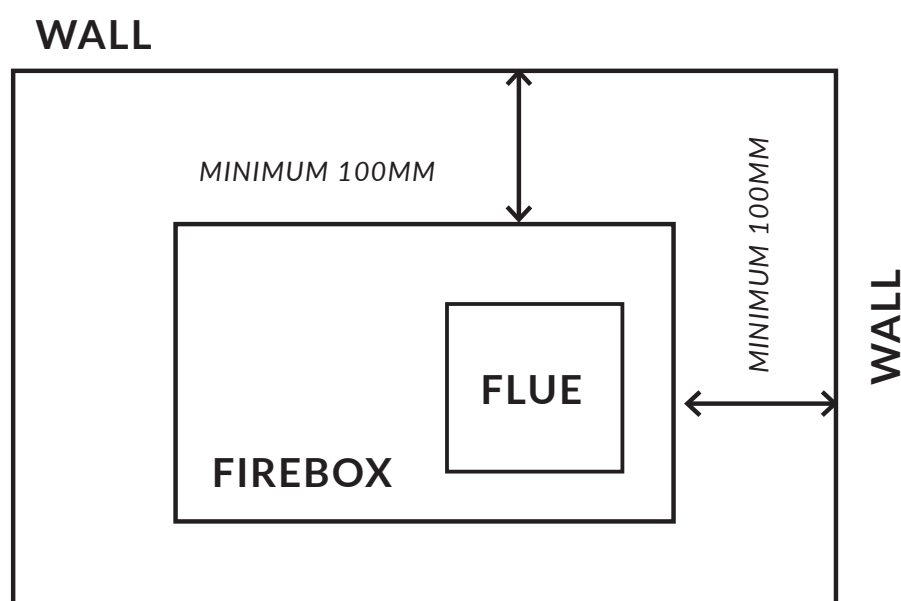
CLEARANCE TO COMBUSTIBLES

A combustible surface is anything that can burn (i.e. plaster, wall paper, wood, fabrics etc.) These surfaces are not limited to those that are visible, but also include materials that are behind non-combustible material. Timber frames behind gyprock are considered combustible.

IMPORTANT

Window frames must also be considered. Timber window frames must be treated as combustible surfaces. Aluminium frames can be treated as non-combustible

The firebox or flue must be a minimum of 100mm away from combustible or non-combustible materials.

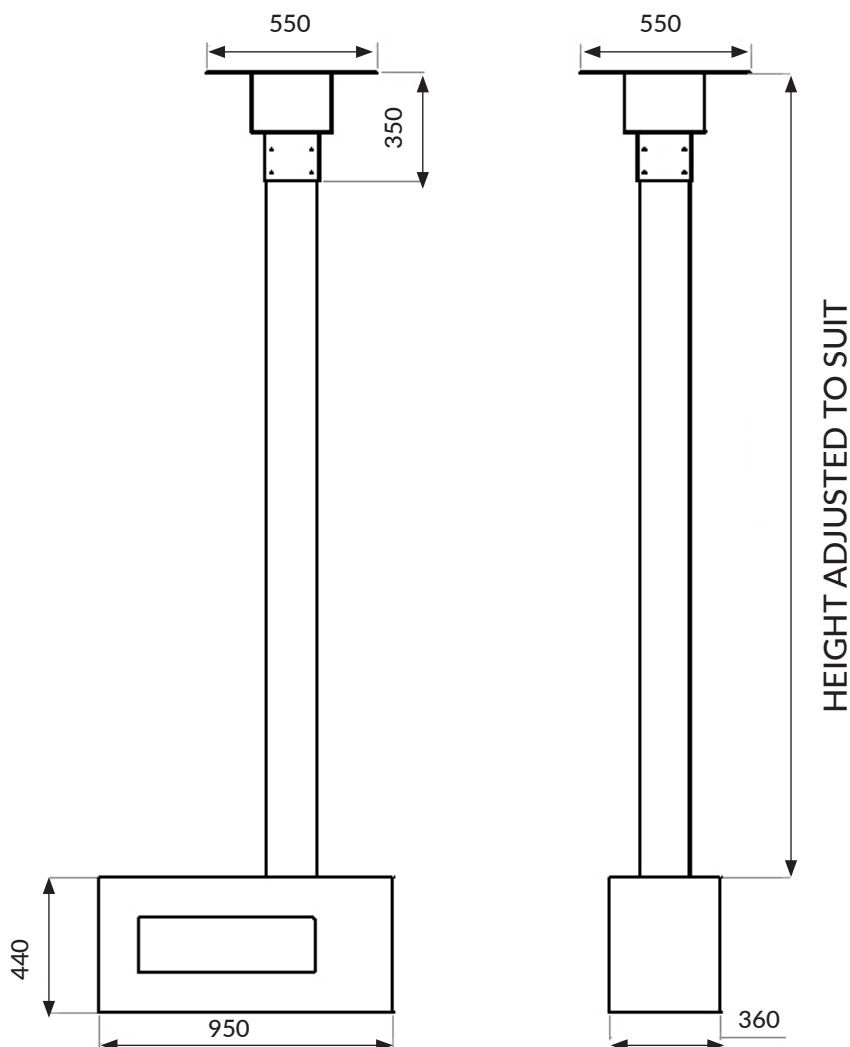


2. DIMENSIONS & SPECIFICATIONS



Aurora

THE ELEMENTAL

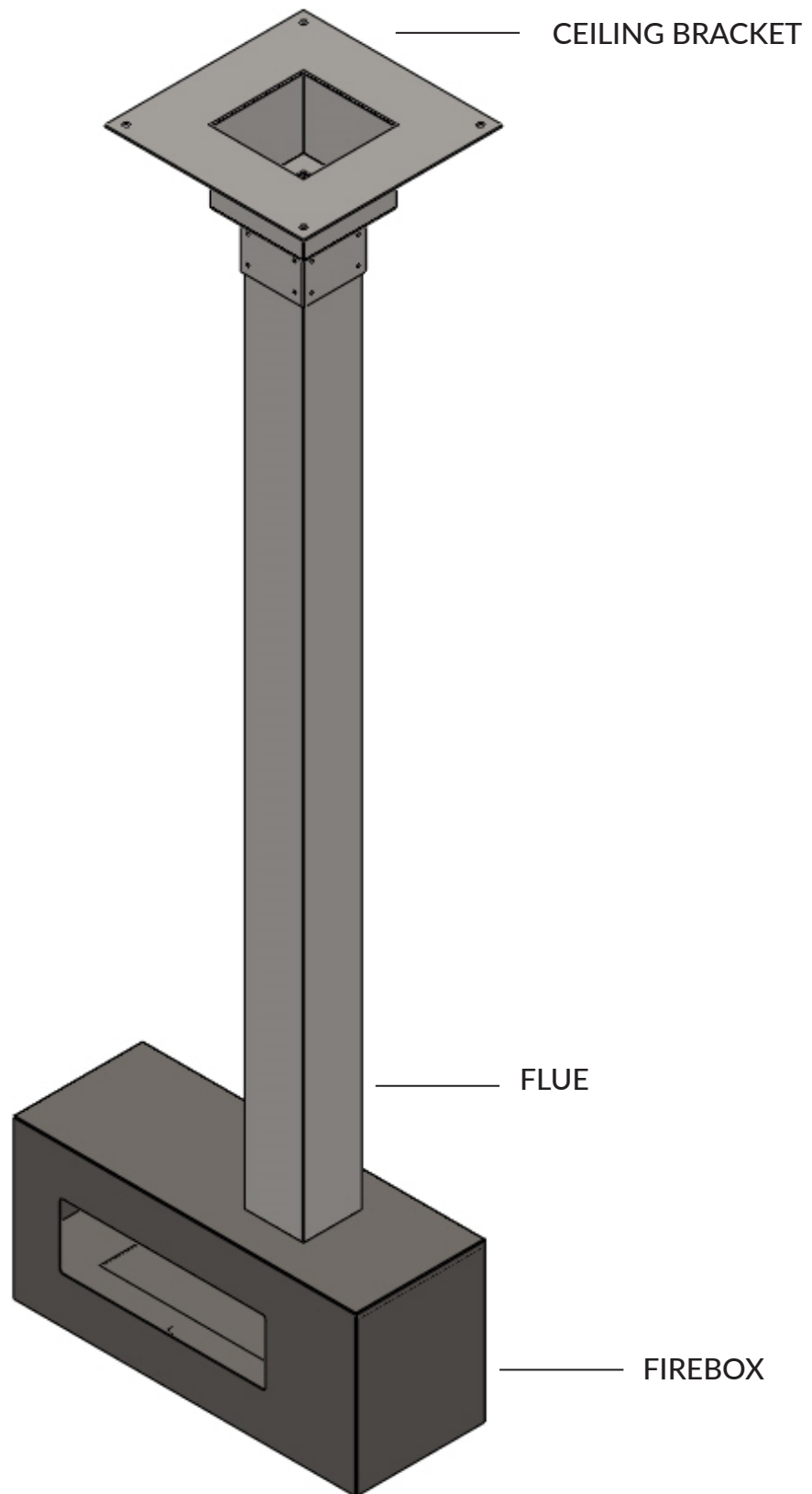


FEATURES

- Material: 3mm Steel
- Finish: high temperature coating system
- Heat Output: 3.4kW
- Colour: matte black
(A range of other colours are available on request. For more information visit our website.)

WEIGHT & DIMENSIONS

| | |
|----------------|--------|
| Firebox length | 950mm |
| Firebox width | 360mm |
| Firebox height | 440mm |
| Firebox weight | 80kgs |
| Flue weight | 15kg/m |



3. INSTALLATION



Aurora

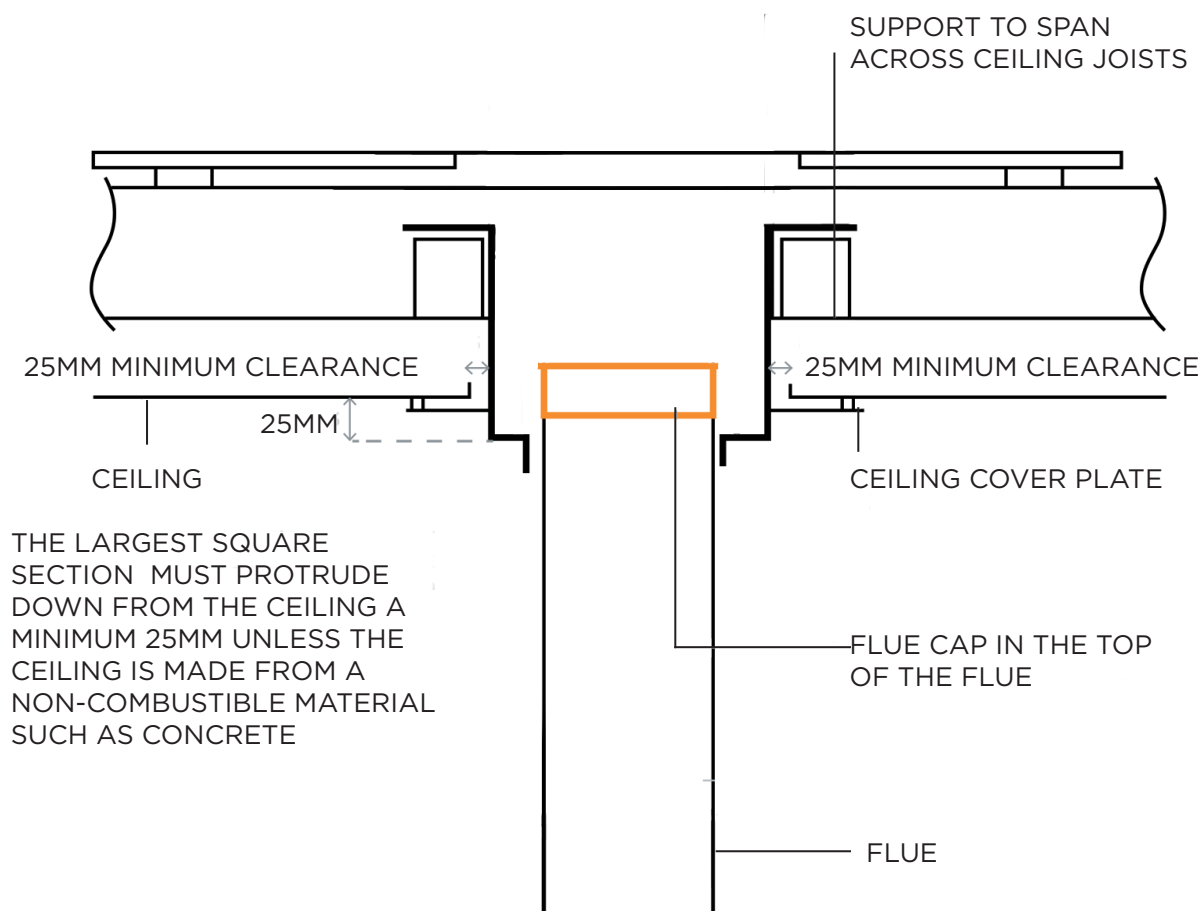
SUSPENSION BRACKET

FLAT CEILING INSTALLATION:

The bracket must be structurally secured within the roof, as shown on the diagram.

The large square body of the ceiling bracket must protrude down through the finished ceiling level by a minimum of 25mm.

You must leave a 25mm clearance gap between the bracket and the ceiling. The gap will be covered by the ceiling cover plate.



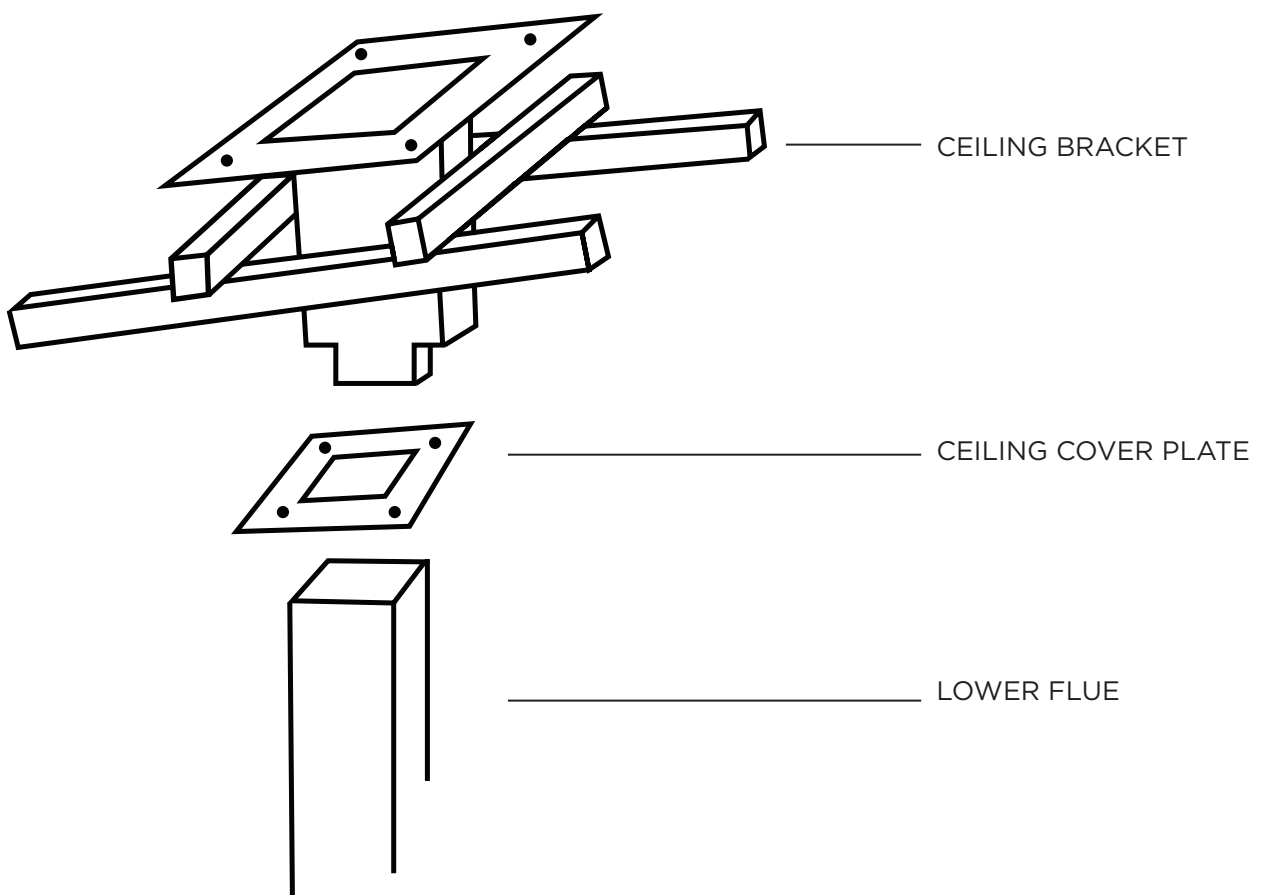
» PITCHED CEILING INSTALLATION Custom Made

For pitched ceilings we have 5 bracket sizes which your installer will adjust to achieve the exact angle for your installation.

- Up to a 5 degree pitch = Flat bracket
- 5 to 15 degree pitch = 10 degree bracket
- 15 to 25 degree pitch = 20 degree bracket
- 25 to 35 degree pitch = 30 degree bracket
- 35 to 45 degree pitch = 40 degree bracket

A custom bracket is available for anything larger than a 45 degree pitch. When installing the bracket, it is very important that the bracket is sitting plumb.

The installer may need to chock up one side of the bracket, with non combustible material i.e. cement sheet.



LOWER FLUE

LOWER FLUE LENGTHS

We supply the lower flue in the standard sizes listed below. The extra length will be pushed up into the ceiling bracket, enabling you to set the correct distance of the firebox to the floor.

FLUE LENGTHS

| | |
|-------|-------|
| 1.6m | 2.5m |
| 1.8m | 2.75m |
| 2.0m | 3.0m |
| 2.25m | |

▶ Sizes above 3m will come in two pieces, with an internal joiner.

INSTALLING A TWO PIECE LOWER FLUE

Lower flues over 3 metres are supplied in two parts and are joined internally with a flue connector. This assists installers in achieving a safe and successful installation.

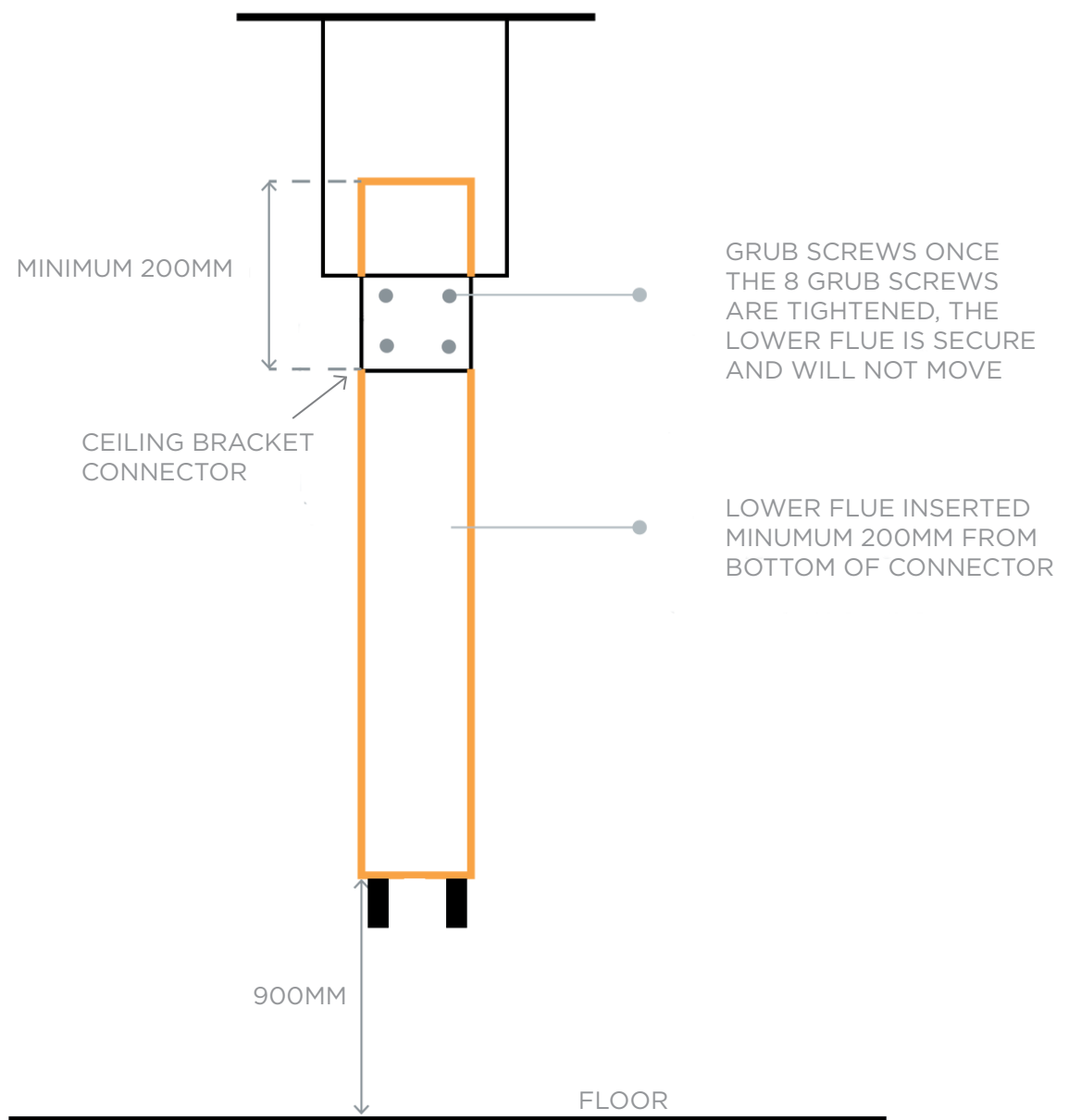
Do not attempt to join these prior to attaching to the suspension bracket.

1. Attach the upper piece to the suspension bracket first.
2. When this is in place attach the lower part.

INSTALLING THE INTERNAL LOWER FLUE

The lower active flue is delivered with additional length to allow for small changes to set the correct firebox height.

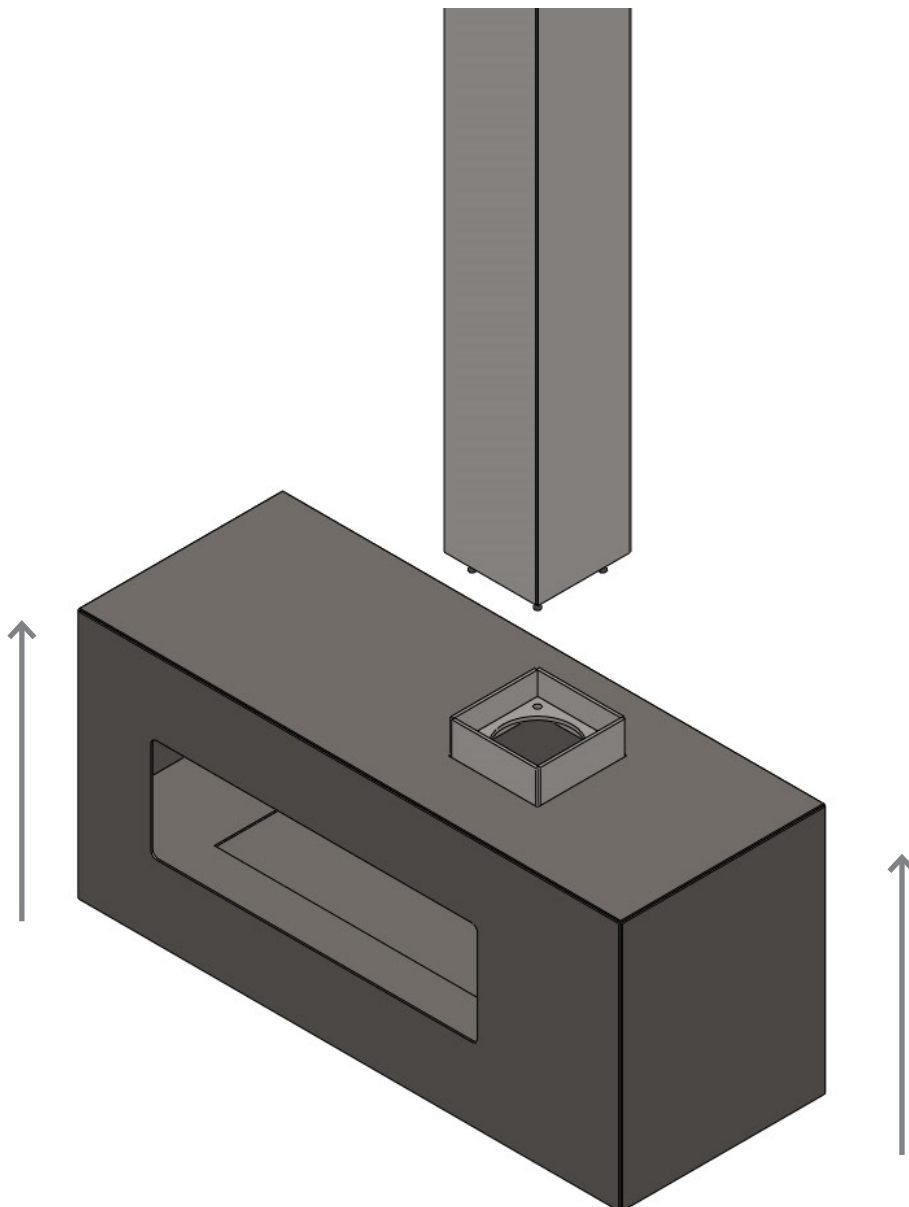
1. First position the lower flue inside the suspension bracket 900mm from the floor.
2. Once the 900mm height is achieved tighten the 8 grub screws. Use a level to ensure that the flue is perfectly vertical.



FIREBOX

ENGAGING THE FIREBOX

1. Ensure the lower flue is the correct height from the floor
2. Use a jacking trolley to lift the firebox evenly onto the 4 fixing bolts
3. Fit the blanking plate to cover the opening in the flue
4. Fit the washers and nuts and tighten, to secure the firebox



BIOETHANOL FIREPLACE

The Elemental fireplace is fitted with an EcoSmart XL500 burner which uses bioethanol fuel.

As bioethanol gives off nothing but water vapour there is no need for an external flue. The lower active flue will be blanked inside the firebox.

FOR INSTALLERS

CLEANING UP

If the fire paint has accumulated dust, fingerprints or other residue during installation Wipe the firebox and lower flue down with a little water and a scratch free glass polishing cloth. Use a light spray of WINDEX if required.

DO NOT RUB THE PAINT. A LIGHT PRESSURE IS ALL THAT IS NEEDED.

HANDING OVER CHECKLIST

- Read the Users instructions and instruct the user on the operation of the fireplace and cleaning methods. Leave instructions with the customer.
- Inform the customer that any odours are due to the newness of materials and will disperse after the initial burn instructions are followed.
- Advise the customer on the importance of an adequate air supply.

INSTALLATION CHECKLIST

INSTALLATION MUST TAKE PLACE IN THE FOLLOWING ORDER

- Suspension bracket installed plumb and clear of combustibles. Dropbox to protrude minimum 25mm below ceiling. More than 25mm should only be used if the roof space prohibits a 25mm drop.
- 25mm minimum clearance from the ceiling bracket to any combustible material within the roof space.
- 25mm clearance gap between the bracket and the ceiling. This gap will be covered by the ceiling cover plate.
- Lower flue installed 900mm from the floor.
- Grub screws tightened.
- Firebox lifted into position evenly to protect the threads from damage. Washers and nuts installed and tightened to close the gap between firebox and lower flue to approximately 1mm to 2mm.

IMPORTANT

This must be ticked and signed by the person who installs your fire and returned to aurora suspended fires following installation for any warranty claims to be honoured.

NAME

SIGNATURE

DATE



Aurora

+61 (0) 2 6686 8408

65 Piper Dr, Ballina NSW 2478 Australia

www.aurorasuspendedfires.com



AUSTRALIAN
HOME HEATING
ASSOCIATION INC.

