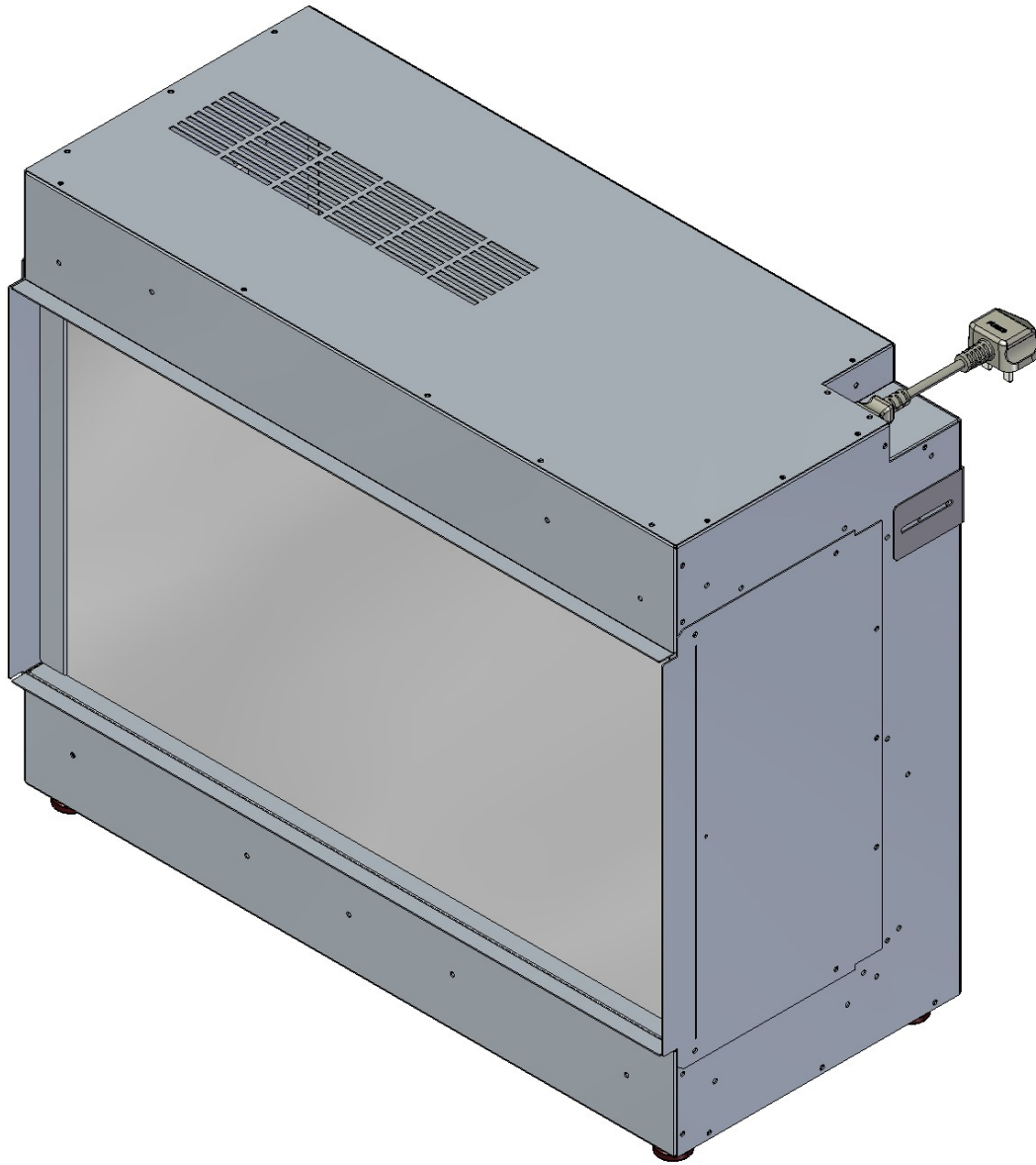


# ilekτρο Range

## 950 LT

### SPECIFICATION SHEET



Version 1 16/08/22

Contents of manual may be updated without notice.

For the latest version of this manual please refer to our website: [www.paulagnewdesigns.com.au](http://www.paulagnewdesigns.com.au)

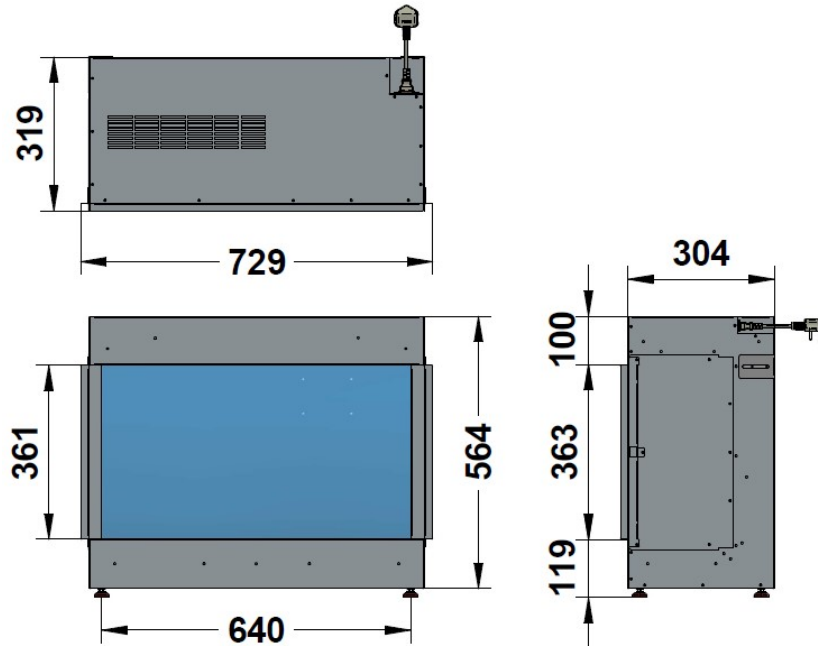
**PAUL AGNEW**

**DESIGNS**

## ilektró 950 LT Glass Fronted

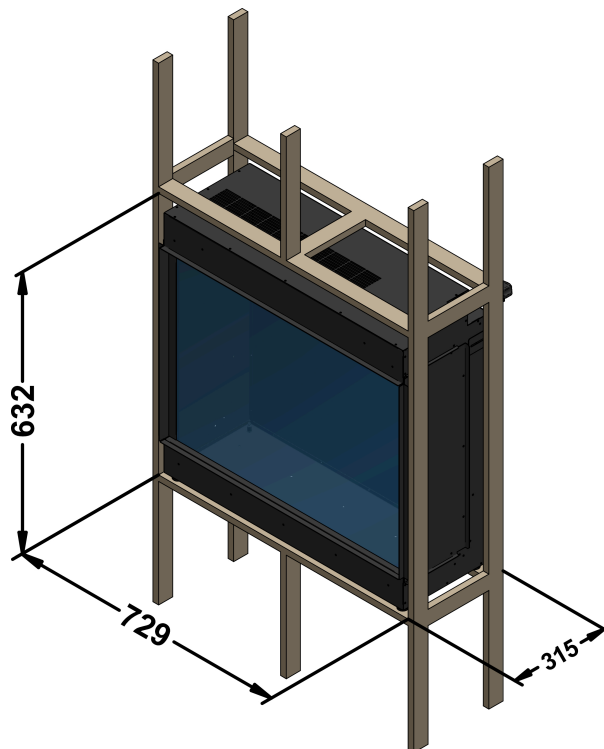
### APPLIANCE DIMENSIONS

Product Code:



### FRAME BUILD OUT DIMENSIONS (All dimensions are in millimetres)

H - MIN	W - MIN	C - CAVITY DEPTH
632	729	315



### DIMENSION NOTES:

\*\* C- CAVITY DEPTH INCLUDES 10MM BACK CLEARANCE.

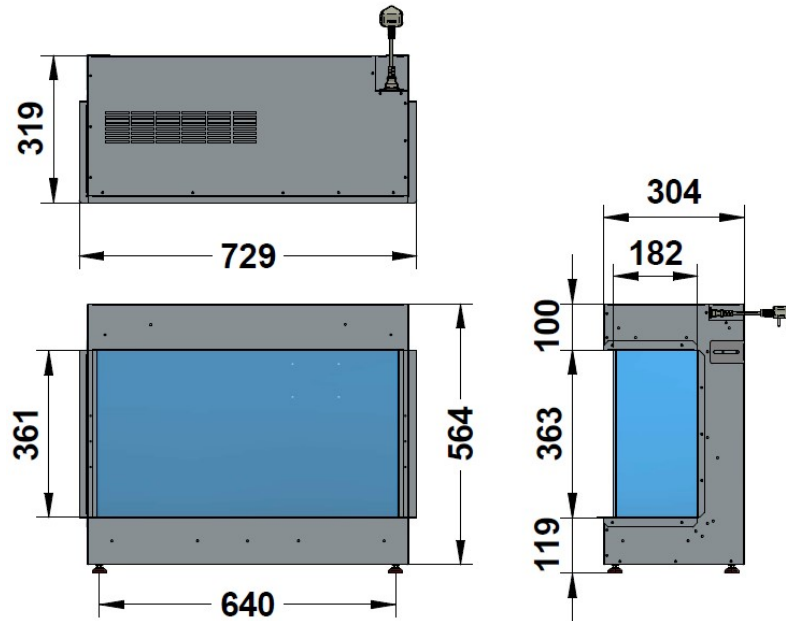
\*\* H- HEIGHT INCLUDES 50MM TOP CLEARANCE.

PLEASE NOTE: DIMENSIONS ARE FOR REFERENCE ONLY - CONSULT YOUR INSTALLER AND RETAILER FOR GUIDANCE

## ilektró 950 LT Bay

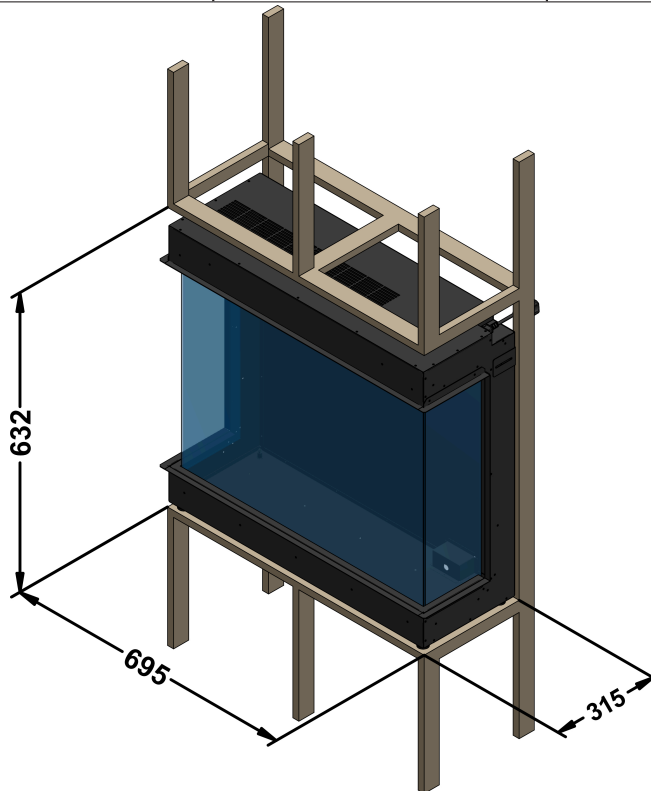
### APPLIANCE DIMENSIONS

Product Code:



### FRAME BUILD OUT DIMENSIONS (All dimensions are in millimetres)

H - MIN	W - MAX	C - CAVITY DEPTH
632	695	315



### DIMENSION NOTES:

\*\* C- CAVITY DEPTH INCLUDES 10MM BACK CLEARANCE.

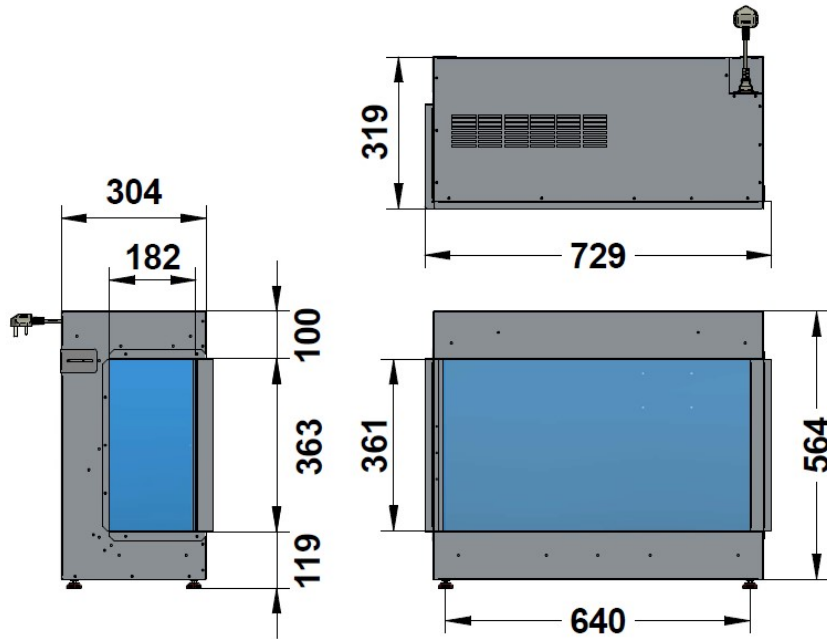
\*\* H- HEIGHT INCLUDES 50MM TOP CLEARANCE.

PLEASE NOTE: DIMENSIONS ARE FOR REFERENCE ONLY - CONSULT YOUR INSTALLER AND RETAILER FOR GUIDANCE

## ilektró 950 LT Left Corner Glass

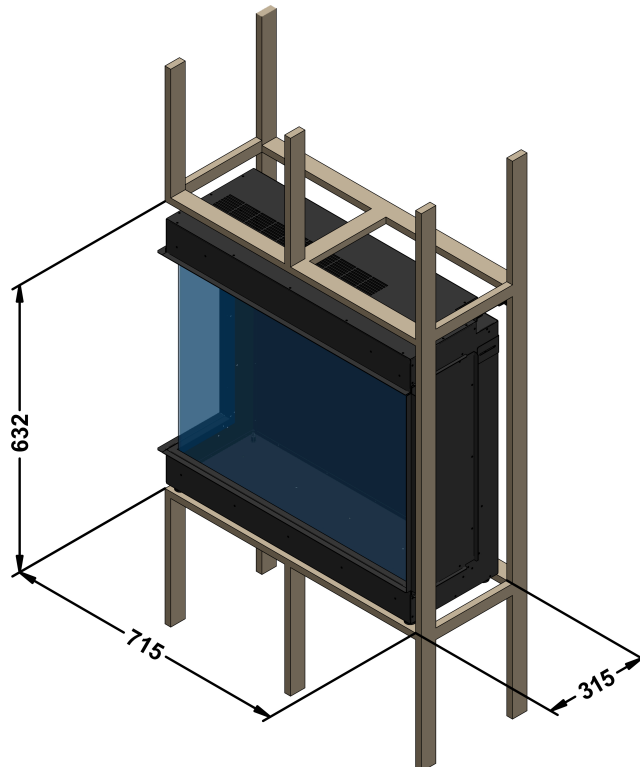
### APPLIANCE DIMENSIONS

Product Code:



### FRAME BUILD OUT DIMENSIONS (All dimensions are in millimetres)

H - MIN	W - MAX	C - CAVITY DEPTH
632	715	315



### DIMENSION NOTES:

\*\* C- CAVITY DEPTH INCLUDES 10MM BACK CLEARANCE.

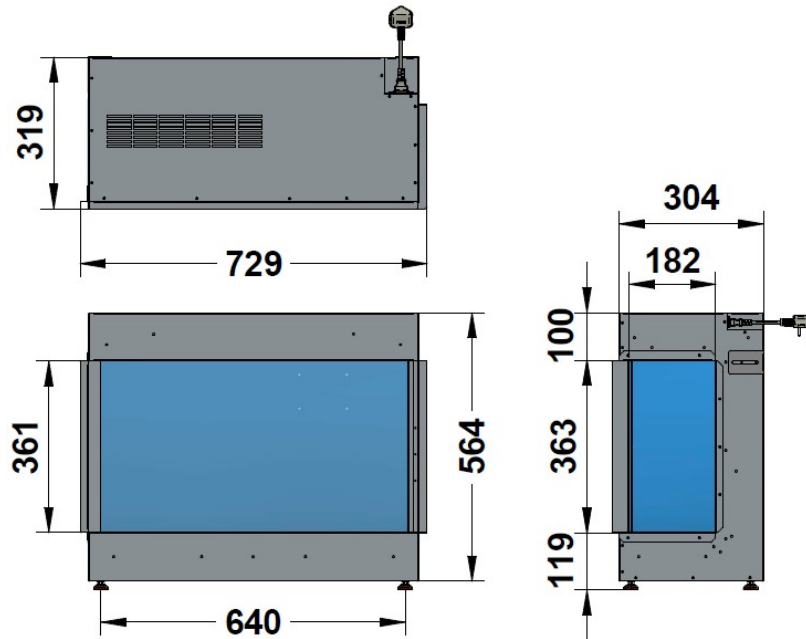
\*\* H- HEIGHT INCLUDES 50MM TOP CLEARANCE.

PLEASE NOTE: DIMENSIONS ARE FOR REFERENCE ONLY - CONSULT YOUR INSTALLER AND RETAILER FOR GUIDANCE

## ilekτρο 950 LT Right Corner Glass

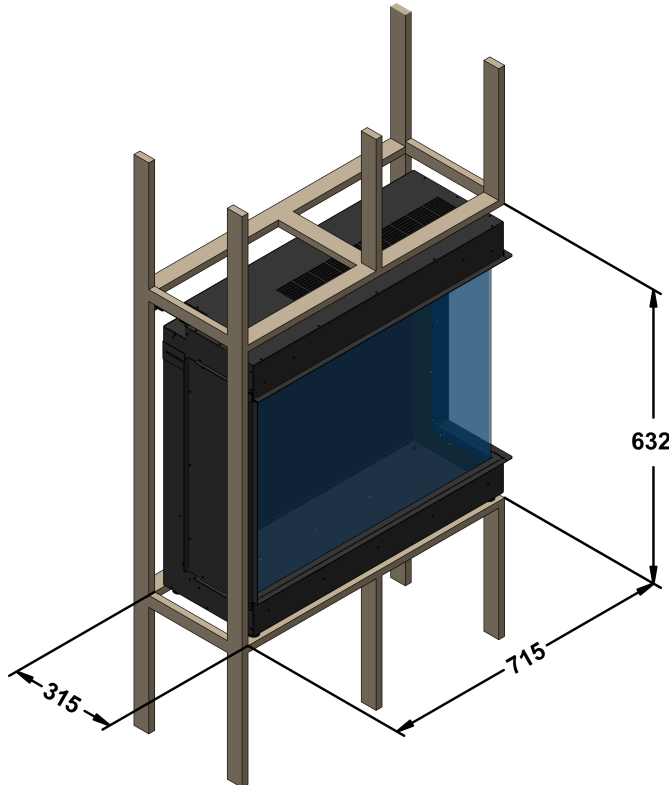
### APPLIANCE DIMENSIONS

Product Code:



FRAME BUILD OUT DIMENSIONS (All dimensions are in millimetres)

H - MIN	W - MAX	C - CAVITY DEPTH
632	715	315



### DIMENSION NOTES:

\*\* C- CAVITY DEPTH INCLUDES 10MM BACK CLEARANCE.

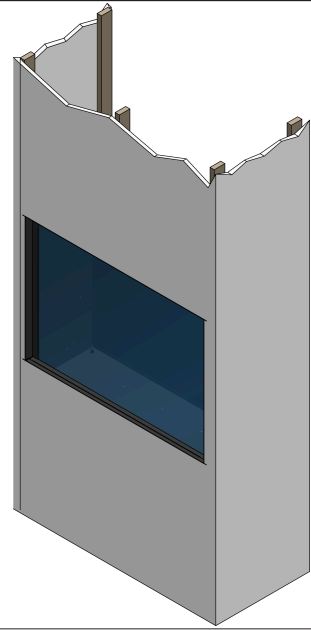
\*\* H- HEIGHT INCLUDES 50MM TOP CLEARANCE.

PLEASE NOTE: DIMENSIONS ARE FOR REFERENCE ONLY - CONSULT YOUR INSTALLER AND RETAILER FOR GUIDANCE

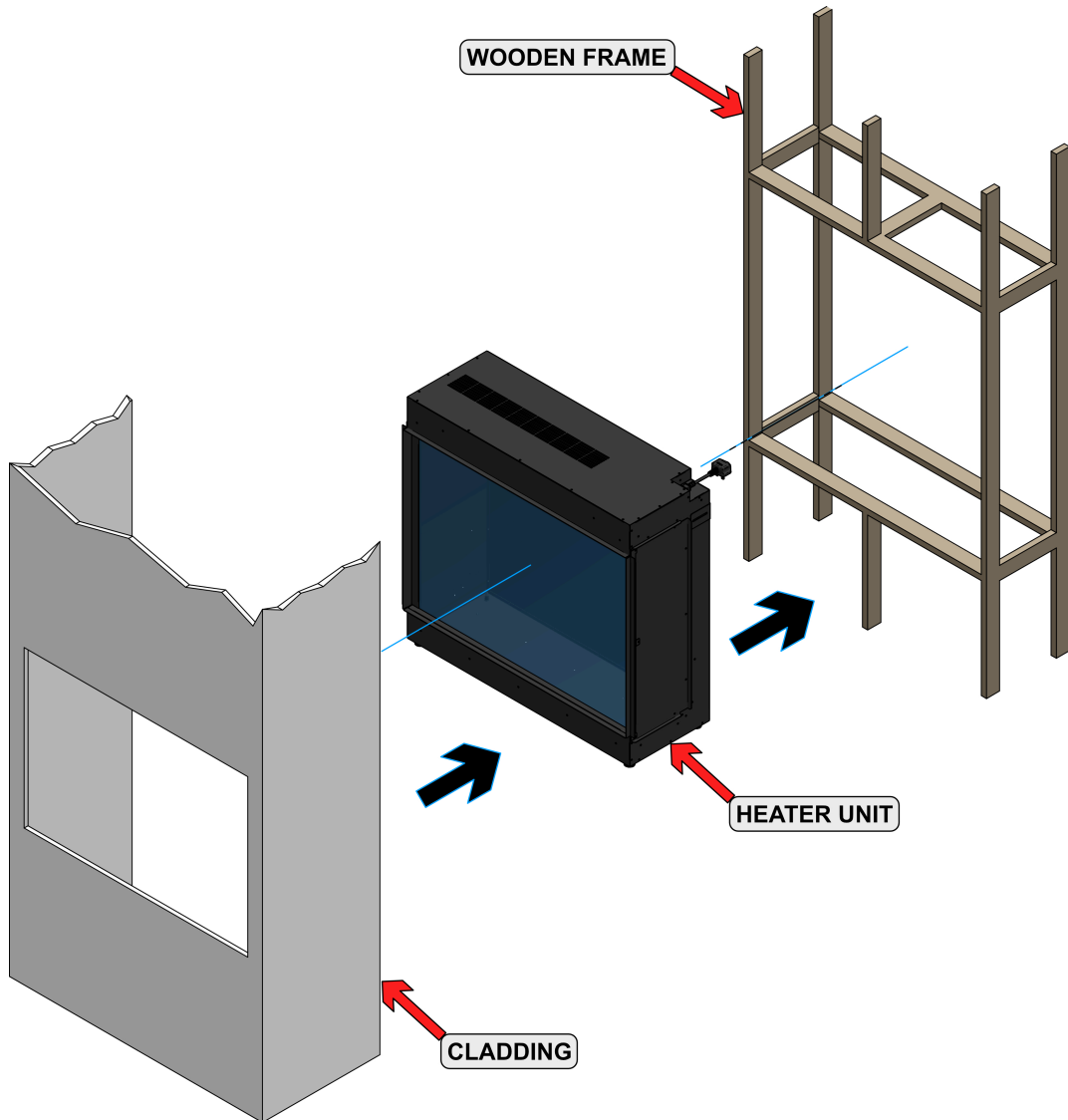
## ilektro 950 LT

**Note:**

Above given dimensions are for frame structure only.

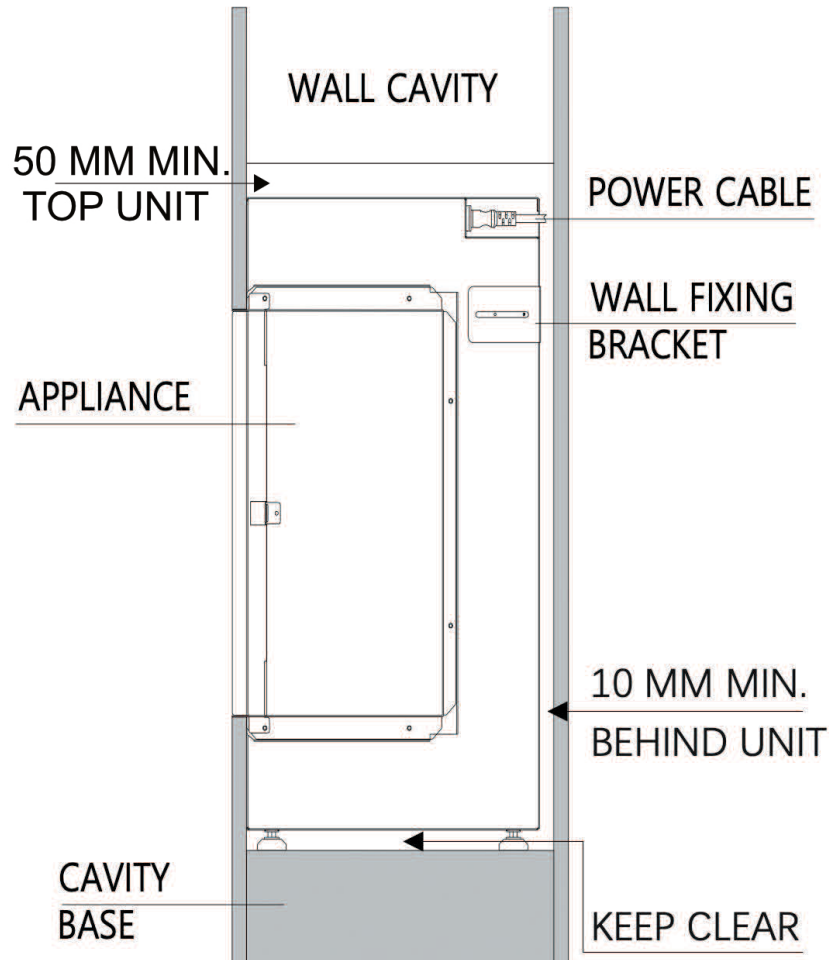


### EXPLODED VIEW



## ilektró 950 LT

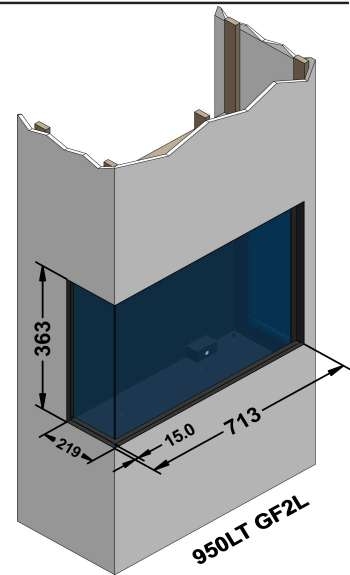
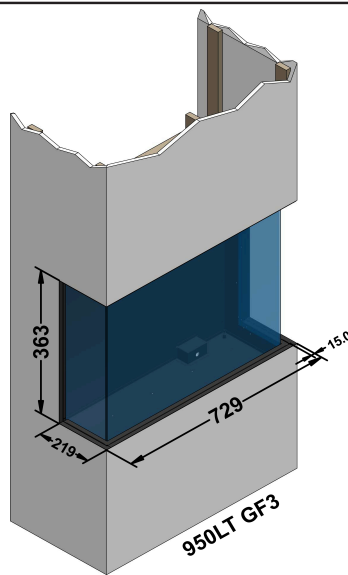
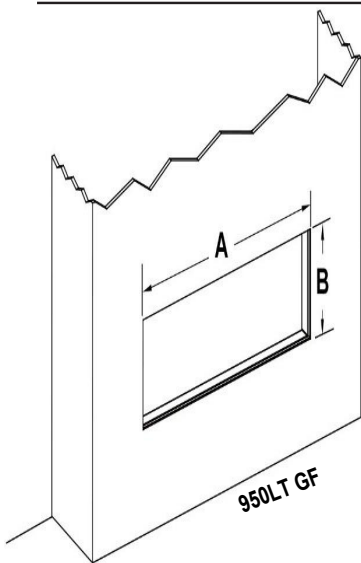
## POSITIONING YOUR APPLIANCE

**NOTE:**

No fixtures are supplied to secure the appliance to the chosen wall. Ensure an appropriate fixing method is used depending on the construction material of the wall.

- When installing into a wall cavity space, a stud work enclosure should be built to house the appliance. Refer to frame out build sheet.
- Finish the enclosure in the chosen material ensuring cladding are pushed up to the edge frame around the glass of the unit.
- If your appliance is not level when installed the glass corner fit will be misaligned.

ilektró 950 LT



Model	A	B	C	D	E	F	G
950LT GF	695mm	593mm	363mm	219mm	315mm	100mm	119mm
950LT GF3	729mm	593mm	363mm	219mm	315mm	100mm	119mm
950LT GF2L	713mm	593mm	363mm	219mm	315mm	100mm	119mm
950LT GF2R	713mm	593mm	363mm	219mm	315mm	100mm	119mm

The above table contains the **minimum** opening

A = Width to outside of plaster flanges

B = Height to outside of plaster flanges

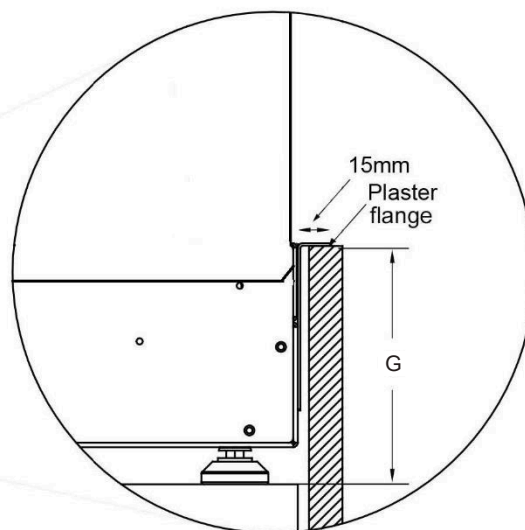
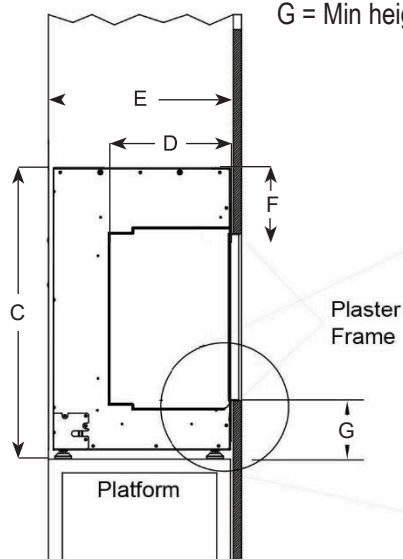
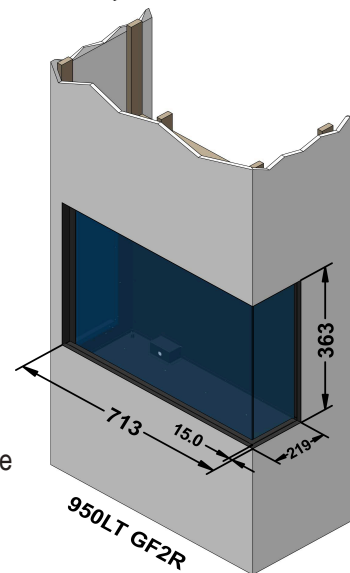
C = Height of fire (min)

D = Depth from front of fire body to rear of side plaster flange

E = Depth of fire (+1MM TOL)

F = Height of fire above top plaster bead

G = Min height from underside of adjustable foot to underside of lower plaster flange





# iléktró

148 Cochranes Road  
Moorabbin, Victoria 3189

[www.paulagnewdesigns.com.au](http://www.paulagnewdesigns.com.au)

[info@paulagnewdesigns.com.au](mailto:info@paulagnewdesigns.com.au)