

**BRITISH
FIRES**



PRODUCT BROCHURE

WELCOME TO



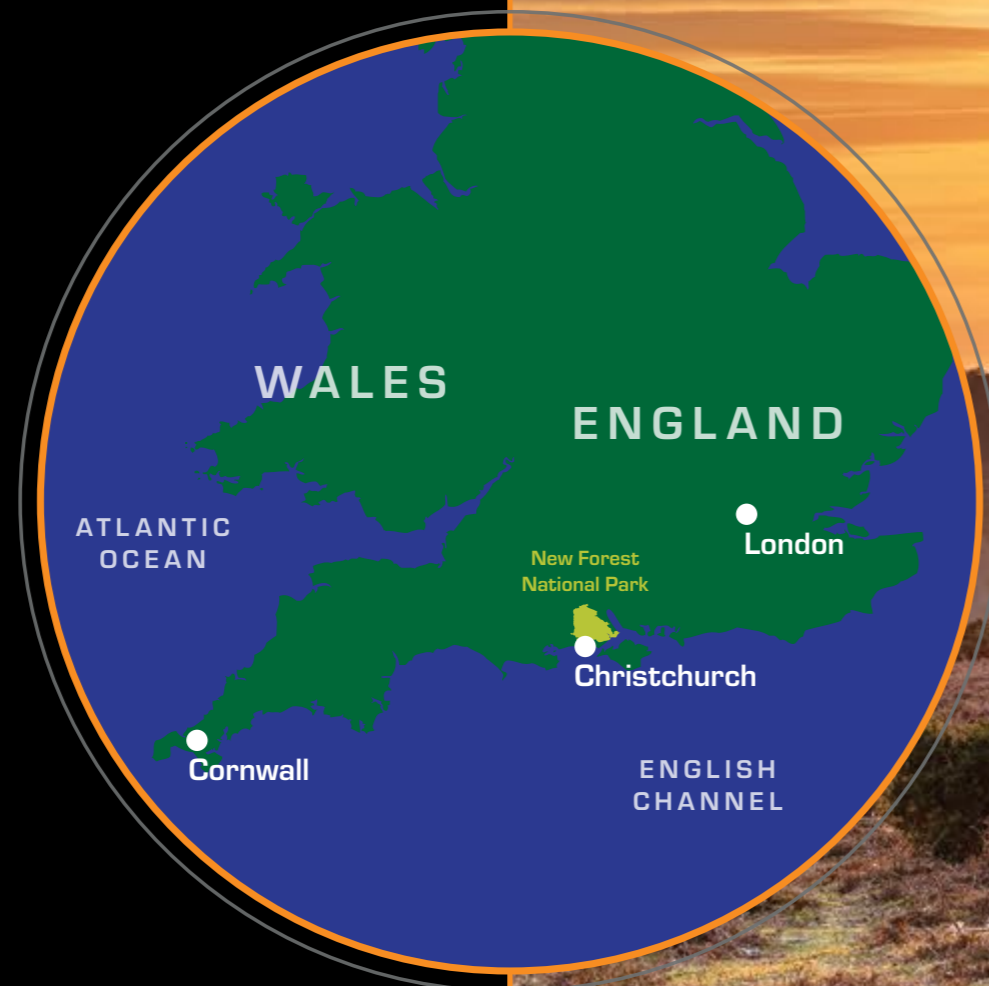
At British Fires the design and development team has one mindset, uncompromising quality, which drives us to deliver top-end products. Our aim is to help you create a peaceful and relaxing environment. Ever since the inception of the New Forest 1200 Electric Fire we have continued to develop and attain a reputation for excellent products and customer support. Our award winning LED flame-effect and patented Air Curtain Technology continue to impress clientele from California to Qatar.

We think you will enjoy exploring our collection of products in this brochure. It offers inspiring installations from the illustrious wall insets and charming wall hung suites to sleek stoves – there is something for everyone.

Located on England's beautiful south coast is the New Forest National Park – the inspiration of our electric fireplaces.

The New Forest covers 219 mi² and is home to many parks, farms, golf courses, and outdoor activities. Today, the New Forest is populated mostly by birch, beech, conifers and oak trees. There are also vast areas of heathland due to cultivation from the Bronze Age and prior which gives the National Park its unique terrain and geography.

This diverse makeup of the New Forest is what gave us the inspiration to design the Forest View fuel bed setting that comes standard with every fireplace.



NEW FOREST NATIONAL PARK UNITED KINGDOM



ELECTRIC WALL INSETS

New Forest 650sq

New Forest 870

New Forest 1200

New Forest 1200 Tall

New Forest 1600

New Forest 1900

New Forest 2400



NEW FOREST 650SQ

DIMENSIONS

Width	654mm
Height	911mm
Depth	234mm

See page 33 for all dimensions

INSTALLATION

One-Sided



scan to learn more



NEW FOREST 870

DIMENSIONS

Width	870mm
Height	465mm
Depth	311mm

See page 33 for all dimensions

INSTALLATION

One-Sided	
Two-Sided	
Three-Sided	



scan to learn more



NEW FOREST 1200

DIMENSIONS

Width	1200mm
Height	565mm
Depth	311mm

See page 33 for all dimensions

INSTALLATION

One-Sided	
Two-Sided	
Three-Sided	



scan to learn more



NEW FOREST 1200 TALL

DIMENSIONS

Width	802mm
Height	1521mm
Depth	392.5mm

See page 33 for all dimensions

INSTALLATION

One-Sided

NEW IN
2023



#mybritishfire

@britishtires

NEW FOREST 1600

DIMENSIONS

Width	1600mm
Height	565mm
Depth	311mm

See page 33 for all dimensions

INSTALLATION

One-Sided	
Two-Sided	
Three-Sided	



scan to learn more



NEW FOREST 1900

DIMENSIONS

Width	1925mm
Height	565mm
Depth	311mm

See page 34 for all dimensions

INSTALLATION

One-Sided	
Two-Sided	
Three-Sided	



scan to learn more



NEW FOREST 2400

DIMENSIONS

Width	2375mm
Height	565mm
Depth	311mm

See page 34 for all dimensions

INSTALLATION

One-Sided	
Two-Sided	
Three-Sided	



scan to learn more



DELUXE REAL LOGS

Upgrade your fuel bed view and create the ultimate experience with Deluxe Real Logs.

Each Deluxe Real Log is unique and artisanally crafted using actual logs found in nature. They really enhance an already prominent statement piece in any room and will take any viewer by surprise — especially when you tell them that they are real logs.

The development process of the Deluxe Real Logs fuel bed begins by selecting different sized logs, branches, and twigs to create a natural log layout. Then placed on a forest floor bed comprised of bark, twigs, and log remnants. A resin mix is then added into the base and cured in an oven to permanently fix the logs.

Requires additional purchase. Not included with standard model.

Available with: 650sq, 870, 1200, 1600, 1900, 2400, Holbury, Brockenhurst & Winchester.



scan to learn more



#mybritishfire

@britishfires

ELECTRIC SUITES & STOVES

Holbury Suite

Brockenhurst Suite

Winchester Suite

Ashurst Stove

Bramshaw Stove



HOLBURY

AVAILABLE SIZES & COLOURS

870, 1200 & 1600

Grey or White marble-effect

See page 35 for all dimensions

INSTALLATION

One-Sided



scan to learn more



OPEN FRONT DESIGN

BROCKENHURST

AVAILABLE SIZES & COLOURS

870, 1200 & 1600

Grey or White marble-effect

See page 36 for all dimensions

INSTALLATION

Wall Hung Three-Sided



scan to learn more



WINCHESTER

AVAILABLE SIZES & COLOURS

870, 1200 & 1600

Grey or White marble-effect

See page 36 for all dimensions

INSTALLATION

Wall Hung Three-Sided



scan to learn more



ASHURST

DIMENSIONS

Width	420mm
Height	951mm
Depth	420mm

See page 35 for all dimensions

STOVE PIPE DIMENSIONS

Width	Pipe: 153mm	Wall bracket: 200mm
Height	695mm	
Depth	253mm	



scan to learn more



#mybritishfire



OPTIONAL: STOVE PIPE

@britishfires

BRAMSHAW

DIMENSIONS

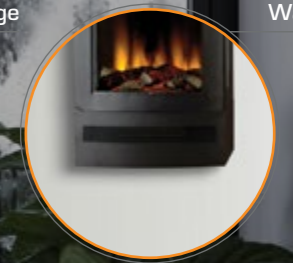
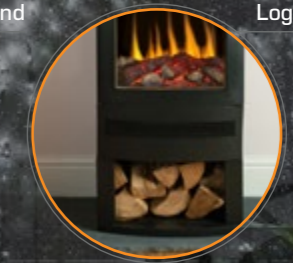
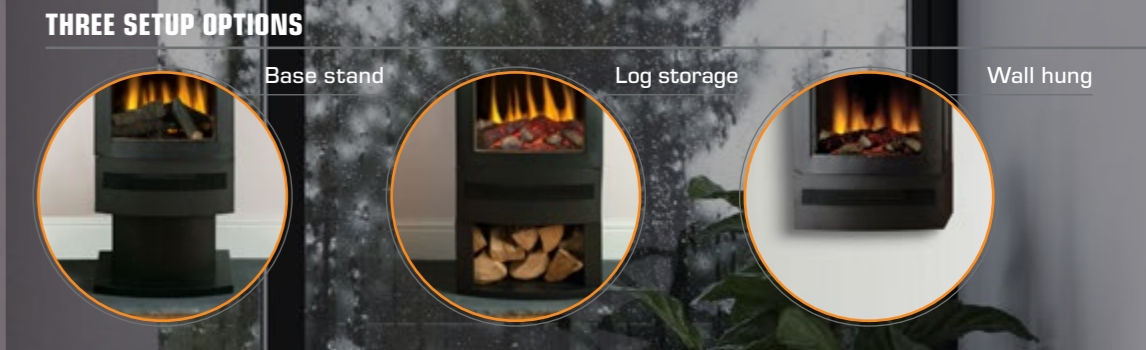
Width	400mm
Height	788mm; 1013mm w/base stand
Depth	312mm
See page 35 for all dimensions	

STOVE PIPE DIMENSIONS

Width	Pipe: 153mm Wall bracket: 200mm
Height	695mm
Depth	253mm



scan to learn more



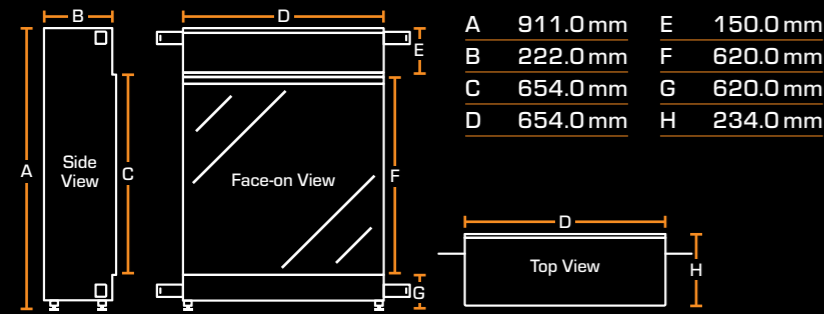
OPTIONAL: STOVE PIPE

#mybritishfire

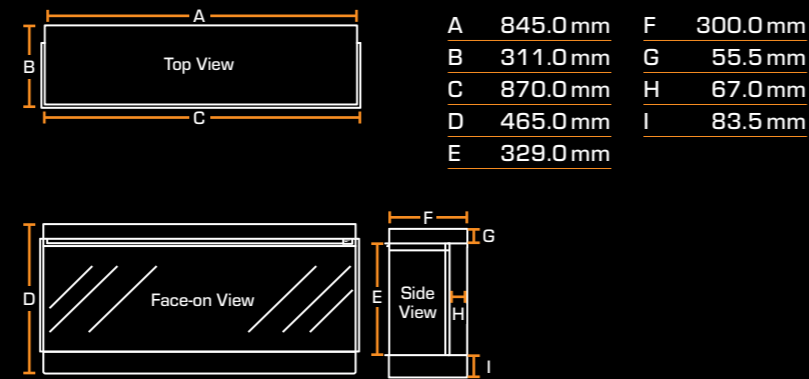
@britishfires

PRODUCT DIMENSIONS

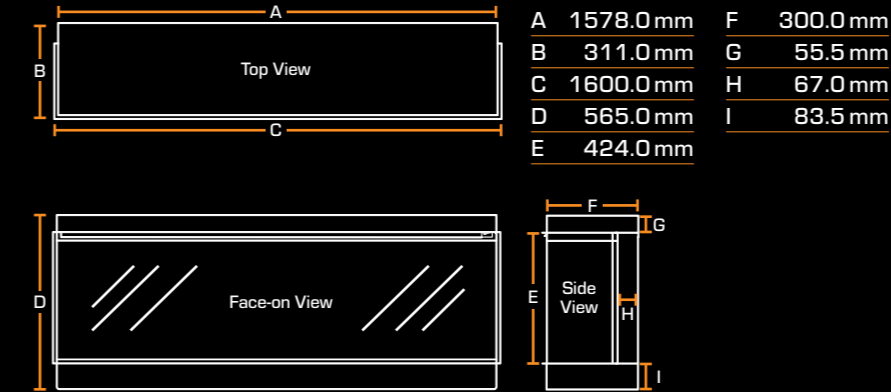
NEW FOREST 650SQ



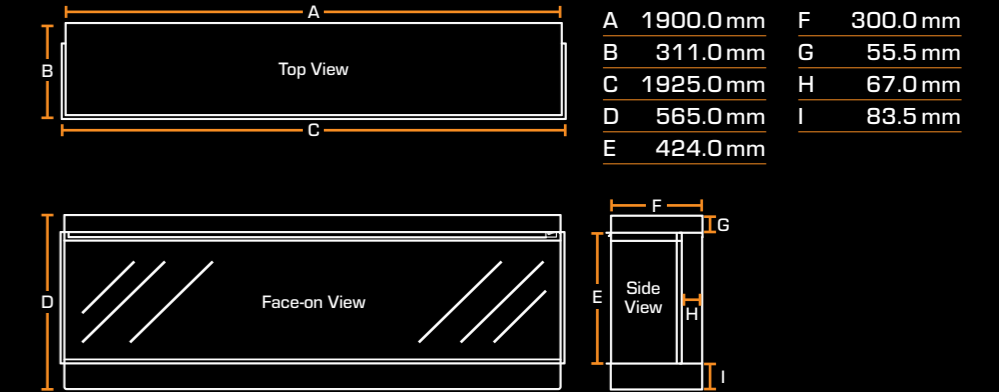
NEW FOREST 870



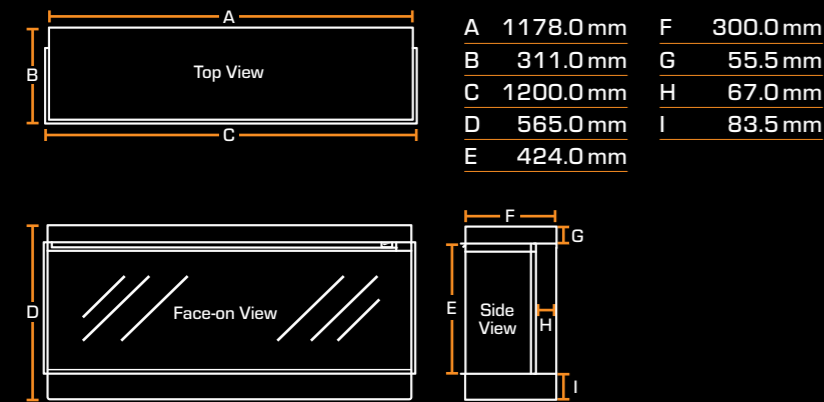
NEW FOREST 1600



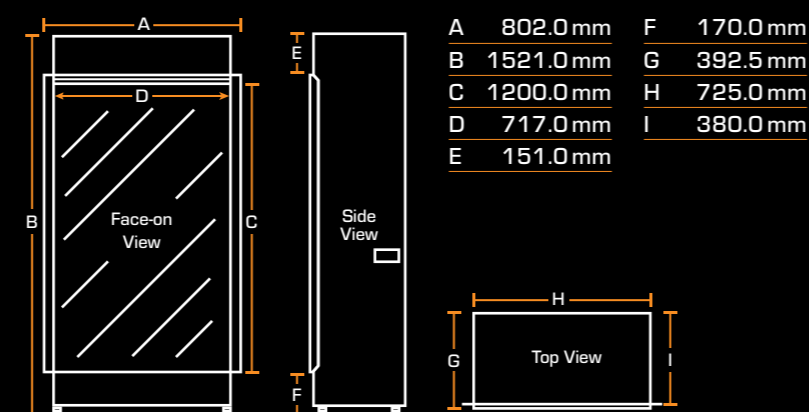
NEW FOREST 1900



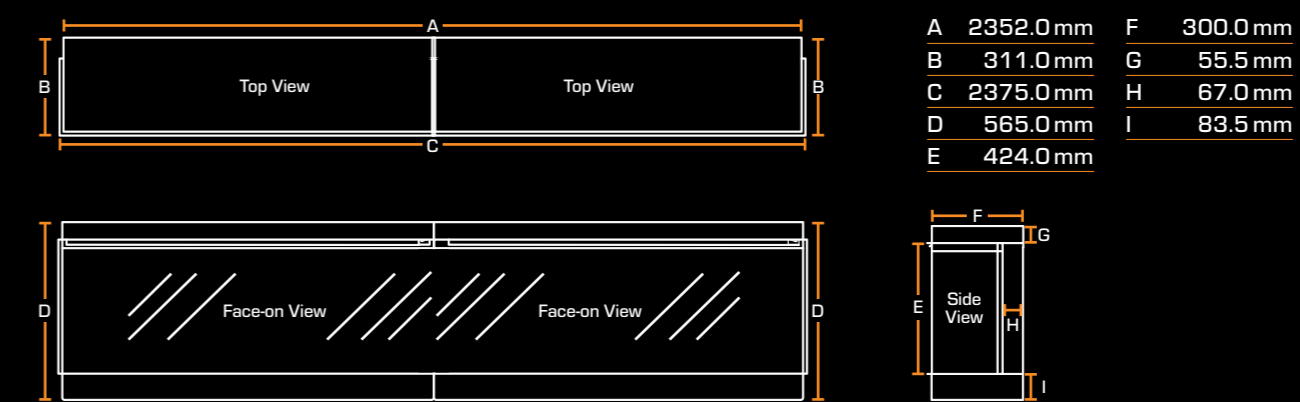
NEW FOREST 1200



NEW FOREST 1200 TALL

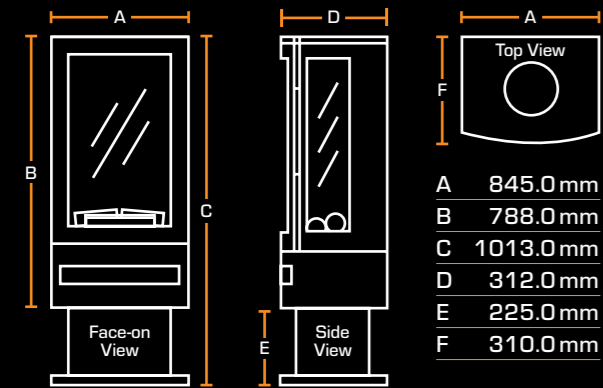


NEW FOREST 2400

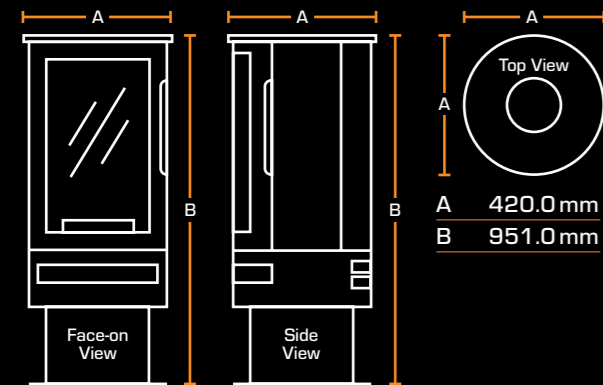


PRODUCT DIMENSIONS

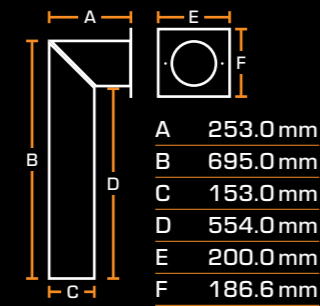
BRAMSHAW



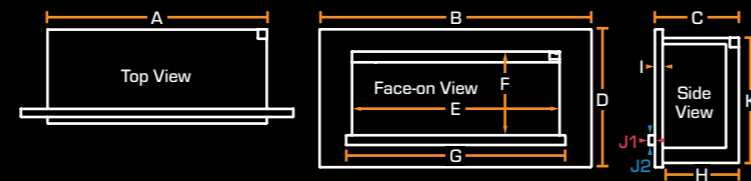
ASHURST



STOVE PIPE



HOLBURY SUITE



Holbury 870 Suite

A	845.0 mm	B	1050.0 mm	C	322.5 mm	D	509.0 mm
E	797.0 mm	F	309.0 mm	G	845.0 mm	H	292.5 mm
I	30.0 mm	J1	24.0 mm	J2	35.0 mm	K	465.0 mm

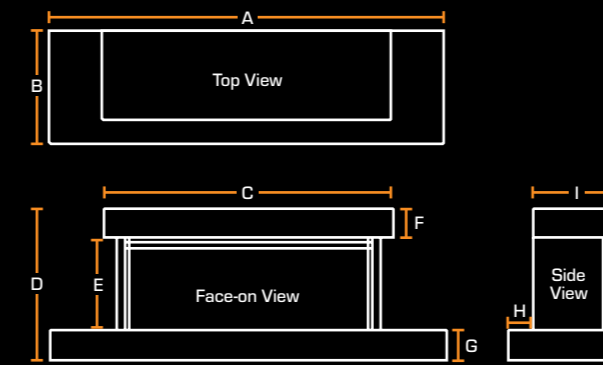
Holbury 1200 Suite

A	1178.0 mm	B	1440.0 mm	C	322.5 mm	D	628.0 mm
E	1127.0 mm	F	403.0 mm	G	1175.0 mm	H	292.5 mm
I	30.0 mm	J1	24.0 mm	J2	35.0 mm	K	565.0 mm

Holbury 1600 Suite

A	1578.0 mm	B	1840.0 mm	C	322.5 mm	D	628.0 mm
E	1527.0 mm	F	403.0 mm	G	1575.0 mm	H	292.5 mm
I	30.0 mm	J1	24.0 mm	J2	35.0 mm	K	565.0 mm

BROCKENHURST SUITE



Brockenhurst 870 Suite

A	1400.0 mm	B	404.0 mm	C	1020.0 mm	D	536.0 mm	E	331.0 mm
F	100.0 mm	G	105.0 mm	H	87.0 mm	I	317.5 mm	J	72.5 mm

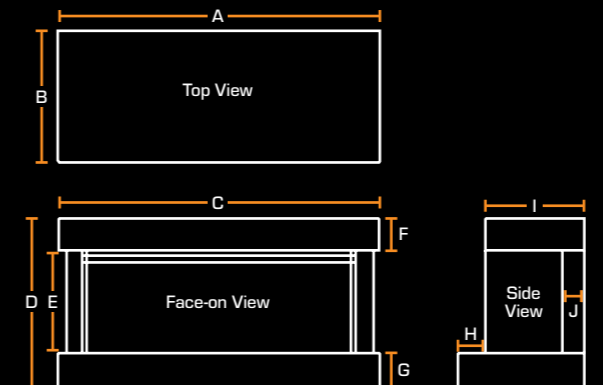
Brockenhurst 1200 Suite

A	1730.0 mm	B	404.0 mm	C	1350.0 mm	D	630.5 mm	E	425.5 mm
F	100.0 mm	G	105.0 mm	H	87.0 mm	I	317.5 mm	J	72.5 mm

Brockenhurst 1600 Suite

A	2130.0 mm	B	404.0 mm	C	1750.0 mm	D	630.5 mm	E	425.5 mm
F	100.0 mm	G	105.0 mm	H	87.0 mm	I	317.5 mm	J	72.5 mm

WINCHESTER SUITE



Winchester 870 Suite

A	1200.0 mm	B	404.0 mm	C	1200.0 mm	D	611.0 mm	E	331.0 mm
F	140.0 mm	G	140.0 mm	H	87.0 mm	I	317.5 mm	J	72.5 mm

Winchester 1200 Suite

A	1530.0 mm	B	404.0 mm	C	1530.0 mm	D	705.0 mm	E	425.0 mm
F	140.0 mm	G	140.0 mm	H	86.5 mm	I	317.5 mm	J	72.5 mm

Winchester 1600 Suite

A	1930.0 mm	B	404.0 mm	C	1930.0 mm	D	705.0 mm	E	331.0 mm
F	140.0 mm	G	140.0 mm	H	87.0 mm	I	317.5 mm	J	72.5 mm

CONTACT

+44 (0) 808 169 9911

info@britishfires.com

www.britishfires.com

@britishfires

facebook.com/britishfiresuk

British Fires Ltd
Unit 10 Avon Trading Park
Christchurch
Dorset
BH23 2BT
United Kingdom

GUARANTEE

At British Fires we pride ourselves on quality and performance, so much so, that each British Fires electric product is applicable for a 3-year guarantee when purchased from an authorized dealer. Full warranty terms and conditions are available to view at: www.britishfires.com/guarantee

All appliances must be installed in a correctly ventilated space in accordance with the manufacturer's installation instructions and the rules in force. This brochure is for guidance only and is not intended to replace the installation manual, which provides more detailed information. March 2023. British Fires®

New Forest Electric fires are protected by Patent Numbers:
UK Patent Number: GB 2583055 B
European Patent Number: EP 3 667 171 B



This brochure was correct at publication; however, as our policy is one of continual development and improvement, specifications may be subject to change. Any such changes will not adversely affect the performance or safety of the appliance.





PRODUCT BROCHURE