



Kalora Fusion - Traditional living at its finest

The **Kalora Fusion** is the result of the synergy that can be achieved when you combine the features of a modern high performance wood heater with the nostalgic feel and benefits of a traditional wood fired stove.

IN THE DETAILS...



Heats up to 200m²



Large bakers oven



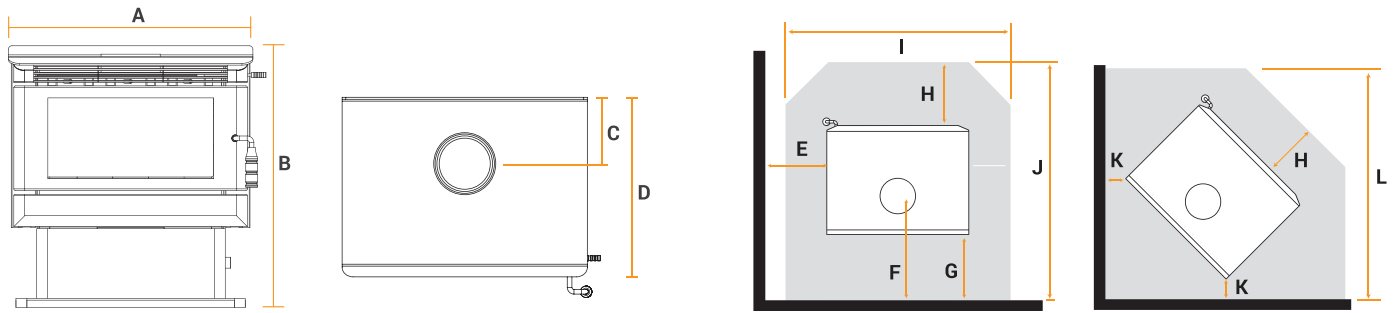
Primary and secondary air adjustment



Practical cook top with removable hotplates

Freestanding Wood Fire

Unit Size and Clearances (mm)



| | A | B | C | D | E | F | G | H | I | J | K | L |
|-----------------------|-----|-----|-----|-----|-----|-----|------|-----|------|------|-----|------|
| Kalora 425R | 500 | 735 | 135 | 510 | 700 | 485 | 350 | 300 | 745 | 1160 | 550 | 1400 |
| Kalora 500C | 672 | 720 | 180 | 492 | 250 | 330 | 150 | 450 | 900 | 1090 | 100 | 1250 |
| Kalora 500C Woodstack | 690 | 845 | 195 | 504 | 250 | 345 | 150 | 450 | 900 | 1100 | 100 | 1245 |
| Kalora 600C | 772 | 792 | 205 | 560 | 350 | 380 | 175* | 450 | 1000 | 1185 | 170 | 1430 |
| Kalora Fusion | 680 | 860 | 120 | 600 | 400 | 290 | 170* | 300 | 820 | 1080 | 200 | 1300 |

* When installed with an additional 900mm x 180° stainless steel flue shield between the active flue and decorative mesh casing

Kalora appliance comparison chart

| | Model no. | Heating capacity | Emissions | Efficiency | Peak kW rating | Net Weight | Gross weight | Packaged W x D x H |
|-----------------------|-----------|-------------------|-----------|------------|----------------|------------|--------------|--------------------|
| Kalora 425R | KA425R | 140m ² | 1.5g/kg | 63% | 18kW | 96.6kg | 106kg | 585 x 585 x 870 |
| Kalora 500C | KA500C2 | 200m ² | 1.1g/kg | 67% | 12.1kW | 138kg | 158kg | 780 x 645 x 880 |
| Kalora 500C Woodstack | KA500BX2 | 200m ² | 1.1g/kg | 67% | 12.1kW | 159kg | 179kg | 780 x 650 x 1000 |
| Kalora 600C | KA600C2 | 300m ² | 1.3g/kg | 62% | 14.4kW | 178kg | 200kg | 888 x 708 x 960 |
| Kalora Fusion | KAF50 | 200m ² | Exempt | Exempt | - | 229kg | 246kg | 770 x 710 x 1070 |
| Kalora 500i | KA500i | 180m ² | 0.4g/kg | 61% | 12.1kW | 125kg | 145kg | 780 x 620 x 600 |
| Kalora 600i | KA600i | 280m ² | 0.9g/kg | 61% | 14.1kW | 158kg | 181kg | 880 x 660 x 630 |
| Kalora Sorrento | KAGAS10 | 90m ² | - | 79% | - | 90kg | 110kg | 1342 x 572 x 990 |

PLEASE NOTE

It is COMPULSORY to have your heater installed by a qualified person whose work conforms to Australian standards, local council regulations and manufacturer's recommendations. Your warranty and any home insurance may be void, on failure to do so.